

企业简介 Introduction

山东华力电机集团股份有限公司创立于1970年，经过持续稳步发展，已成为集科研、生产、营销、服务于一体的现代化企业集团。公司下辖荣成崂山工业区、荣成工业新区及苏州工业新区三处制造企业，年生产能力120万台、2000万KW，是全球电机行业具有规模和实力的制造企业之一。

华力集团技术力量雄厚，建有山东省企业技术中心、山东省稀土永磁电机工程技术研究中心，构建起以低压电机为支撑，高压、低压大功率、特种电机为发展方向的产品格局。产品涵盖了YE4系列、YE3系列、YE2系列、HM2系列、YBX3系列、YFB3系列、YBK3系列、YBBP系列、YB3系列、YVF3系列、YVF2系列、YVF系列、YKK系列、YKS系列等（通用、防爆、船用、起重、冶金、变频、高压、风力发电等）40多个系列11000多个规格，是全球品种、规格齐全的电机生产厂家之一。公司拥有先进的生产检测设备，建立起完善的质量、环境管理体系，通过了ISO9001、ISO14001、CCC、CQC、CE、UL等多项认证认可。

公司坚持“占科技高点、拓全球市场”的发展战略，构筑起国内国际两大市场板块。在全国50多个大中城市建立起仓储式销售分公司，形成了快捷、高效的市场营销和服务网络，产品同时销往欧洲、亚洲、非洲、美洲等40多个国家和地区。企业规模及综合经济效益位居全球电机行业前列。

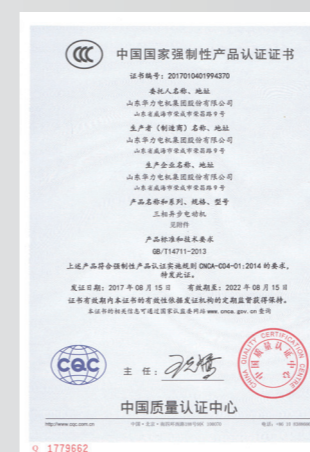
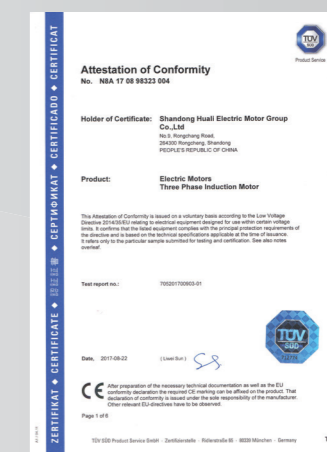
创新的理念，先进的技术，卓越的品质，优质的服务和华力人团结奋进的精神，凝聚成企业不断壮大发展的动力。“创百年华力，树世界品牌”的企业目标正在努力实现！

Since its founding in 1970, through sustained and steady development, it is now a modern enterprise with its own production, distribution, R&D and customer service teams. Huali has built three manufacturing enterprises: Rongcheng Laoshan Industrial Area, Rongcheng Industrial New Area and Suzhou Industrial Area. The annual production capacity is 1.2 million motors (20 million KW), Huali is one of the manufacturing enterprises of global motor industry with scale and strength.

Huali group has strong technical force, established Shandong enterprise technology center and Shandong province rare earth permanent magnet motor engineering technology research center, build a product pattern with low-voltage motor as support, high-voltage, low-voltage high-power and special motor as development direction. Our products includes high voltage and low voltage about 11,000 varieties types in more than 40 major series such as, YE4、YE3、YE2、HM2、YBX3、YFB3、YBK3、YBBP、YB3、YVF3、YVF2、YVF、YKK、YKS (General ,Explosion Proof , Marine, lifting, metallurgy, frequency conversion High Voltage, Wind power generation etc). It is one of the motor manufacturers of the global varieties and complete specifications. Our company has advanced production testing equipment, establish a sound quality and environmental management system. We have passed a number of accreditation such as: ISO9001、ISO14001、CCC、CQC、CE、UL etc.

The company insists on the development strategy of "Occupying the high point of science and technology, Expanding the global market", and constructs two major market plates of domestic and international. Store sales branches have been established in more than 50 large and medium-sized cities throughout the country, which created a highly efficient sale and service network. The products are also sold to more than 40 countries and regions such as Europe, Asia, Africa and America. The scale and comprehensive economic benefits of the enterprises rank in the forefront of the global motor industry.

Innovative ideas, advanced technology, excellent quality, high quality service and the spirit of unite and endeavour of Huali people, condensed into a continuous growth and development of the enterprise power. With such power, Huali and its people will make the dream that "Creating a centennial Huali, Establishing a global brand" are being come true!



▶ 目 录
Introduction

06

YE2 系列三相异步电动机

YE2 Series Three-phase Asynchronous Motor

20

YE3 系列三相异步电动机

YE3 Series Three-phase Asynchronous Motor

36

YE4 系列三相异步电动机

YE4 Series Three-phase Asynchronous Motor

52

YVF2 系列变频三相异步电动机

YVF2 Series Converter-Fed Three-Phase Induction Motor

66

YB3 系列隔爆型三相异步电动机

YB3 Series Flameproof Three-Phase Asynchronous Motor

▶ 目 录
Introduction

80

YBX3 高效率隔爆型三相异步电动机

YBX3 Series High Efficiency Flameproof 3-Phase Asynchronous Motor

94

YBK3 系列煤矿井下用隔爆型三相异步电动机

YBK3 Series Flameproof Three-Phase Asynchronous Motors For Coal Mines

108

YFB2 系列粉尘防爆型三相异步电动机

YFB2 Series For Dust Explosion-Proof Three-Phase Asynchronous Motor

122

YFB3 粉尘防爆型高效率三相异步电动机

YFB3 series dust explosion-proof high efficiency three-phase asynchronous motor

136

YBBP 系列隔爆型变频调速三相异步电动机

YBBP Series Flameproof Variable-Frequency Adjustable-Speed Three-Phase Asynchronous Motor

YE2 系列三相异步电动机

YE2 Series Three-phase Asynchronous Motor



产品概述 Product Introduction

YE2 系列三相异步电动机符合 GB18613-2012 《中小型三相异步电动机能效限定值及能效等级》中规定的三级效率标准。同时，符合 IEC 60034-30-1: 2014 标准的 IE2 能效等级。

其提高效率设计，符合国家对生产制造行业提出节能降耗的要求。

YE2 系列电机的安装尺寸符合 IEC60034 标准。具有结构合理，外形美观，效率高，噪音低，防护等级、绝缘等级高等优点，可广泛应用于风机、水泵、机床、压缩机和运输机械等驱动各种通用机械设备，也可在石油、化工、钢铁、矿山等其它环境比较恶劣的场所使用。

YE2 series three-phase asynchronous motor is in line with the third efficiency standard in the provisions of GB18613-2012 "Minimum allowable values of energy efficiency and energy efficiency grades for small and medium three-phase asynchronous motors". Meanwhile, IE2 efficiency standard is also be satisfied in the provisions of IEC 60034-30-1:2014.

Improvement on design of efficiency is in line with the state's requirements on the energy saving and consumption reducing of the manufacturing sector.

YE2 series motors with the mounting dimension in accordance with standard IEC 60034, it has good features like, optimum structure, attractive appearance, low noise, high efficiency, high protection class as well as high insulation class. YE2 series motors can be widely used in various kinds of general use machineries like fans, pumps, machine tools, compressors, transportation and so on, and can also be used in the hazardous areas with oil and chemical, steel plants, mining industry.

详细说明 Specification

◆现场条件

YE2 系列电动机可适用于大多数的场合及环境。电动机标准工作条件为 -15°C 到 +40°C，海拔不超过 1000 米。

◆温升和绝缘

电动机按 155 (F) 级绝缘设计，按 B 级绝缘考核 (80K)，电动机的使用寿命和可靠性得到保证。

◆冷却和通风

标准冷却方式为全封闭自扇冷 (TEFC)。标准电机装有辅流式塑料风扇。符合 IEC 60034-6 中 IC411 的规定。

◆防护等级

电动机的防护等级为 IP55，可用于含尘或潮湿环境。也可根据客户要求提供更高防护等级的电动机。

◆电机保护

可根据要求安装 PTC、PT100 等绕组和轴承测温及保护装置。

◆电压、频率

标准电机为 380V/50HZ。可设计 200-660V 范围内任意电压的 50Hz 的电动机。在供电电压偏离额定电压 ±5% 的情况下，仍能良好运行。

◆接线盒位置

接线盒在机座上方或右侧为标准 YE2 系列电机。

◆质量保证

从产品设计到产品出厂，遵循 ISO9001 质量认证体系，严格遵守质量程序。

◆ Site conditions

YE2 series motors are suitable for almost all applications and operate satisfactorily at temperature from -15° C to +40° C and the altitude is not more than 1000 meters.

◆ Temperature and insulation

155(F) class insulation system and temperature rise class B (80K) are adopted to the motor, which increase the motor useful life and reliability.

◆ Cooling and ventilation

The standard cooling method is Totally Enclosed Fan Cooled (TEFC) in accordance with IC411 of IEC 60034-6. Standard motors are equipped with centrifuge plastic fans.

◆ Protection class

The standard protection degree of motor is IP55, which make moist and dusty condition is also allowable. Higher degree of protection is also available according to customer's requirement.

◆ Motor protection

The protection and measurement equipment to Winding and bearing such as PTC, PT100 are available on request.

◆ Voltage and frequency

Standard voltage and frequency is 380V/ 50HZ, 200-660V special value on voltage and frequency is available on request. The motors will operate satisfactorily with variations of ±5% from the rated voltage.

◆ Terminal box location

Terminal box at the top or right of frame is the standard YE3 motor.

◆ Quality assurance

Stringent quality procedures are observed from first design to finished products in accordance with ISO9001 documented quality systems.

技术数据 Technical Data

2 极 – 同步转速 3000r/min 380V/50HZ
2pole-3000rpm synchronous speed 380V 50HZ

型号 Motor Type	额定功率 Rated Output KW	额定转速 Rated Speed rpm	额定电流 IFL 380V A	额定电流 IFL 400V A	额定电流 IFL 415V A	额定电流 IFL 525V A	效率 EFF %	功率因数 Power Factor cosφ	额定转矩 Rated Torque N.m	堵转转矩		堵转电流		转动惯量 M of I kgm2	噪音 Noise Level LW dB (A)	重量 Net Weight kg
										额定转矩 TST/TFL	最大转矩 TM/TFL	额定电流 IST/IFL	堵转电流			
YE2-80M1-2	0.75	2855	1.8	1.7	1.6	1.3	77.4%	0.82	2.5	2.3	2.3	6.8	0.001	62	15	
YE2-80M2-2	1.1	2855	2.5	2.4	2.3	1.8	79.6%	0.83	3.7	2.3	2.3	7.1	0.002	62	18	
YE2-90S-2	1.5	2875	3.3	3.2	3.1	2.4	81.3%	0.84	5.0	2.3	2.3	7.3	0.002	67	24	
YE2-90L-2	2.2	2875	4.7	4.5	4.3	3.4	83.2%	0.85	7.3	2.3	2.3	7.6	0.003	67	28	
YE2-100L-2	3	2880	6.2	5.9	5.7	4.5	84.6%	0.87	9.9	2.2	2.3	7.8	0.005	74	38	
YE2-112M-2	4	2900	8.0	7.6	7.4	5.8	85.8%	0.88	13.2	2.2	2.3	8.1	0.008	77	42	
YE2-132S1-2	5.5	2900	10.9	10.4	10.0	7.9	87.0%	0.88	18.1	2.2	2.3	8.2	0.014	79	70	
YE2-132S2-2	7.5	2900	14.5	13.8	13.3	10.5	88.1%	0.89	24.7	2.2	2.3	7.8	0.018	79	68	
YE2-160M1-2	11	2940	21.0	20.0	19.2	15.2	89.4%	0.89	35.7	2.2	2.3	7.9	0.051	81	108	
YE2-160M2-2	15	2940	28.4	26.9	26.0	20.5	90.3%	0.89	48.7	2.2	2.3	7.9	0.064	81	122	
YE2-160L-2	18.5	2940	34.7	33.0	31.8	25.1	90.9%	0.89	60.1	2.2	2.3	8.0	0.076	81	136	
YE2-180M-2	22	2955	41.1	39.1	37.7	29.8	91.3%	0.89	71.1	2.2	2.3	8.1	0.105	83	172	
YE2-200L1-2	30	2965	55.7	52.9	51.0	40.3	92.0%	0.89	96.6	2	2.3	7.5	0.179	84	234	
YE2-200L2-2	37	2965	68.3	64.9	62.5	49.4	92.5%	0.89	119.2	2	2.3	7.5	0.201	84	242	
YE2-225M-2	45	2970	82.7	78.6	75.7	59.9	92.9%	0.89	144.7	2.2	2.3	7.5	0.305	86	315	
YE2-250M-2	55	2975	100.7	95.7	92.2	72.9	93.2%	0.89	176.6	2.2	2.3	7.6	0.414	89	394	
YE2-280S-2	75	2975	136.5	129.7	125.0	98.8	93.8%	0.89	240.8	1.8	2.3	6.9	0.695	91	520	
YE2-280M-2	90	2975	163.3	155.1	149.5	118.2	94.1%	0.89	288.9	1.8	2.3	6.9	0.852	91	596	
YE2-315S-2	110	2980	196.9	187.1	180.3	142.5	94.3%	0.9	352.5	1.8	2.2	7.0	1.753	92	890	
YE2-315M-2	132	2980	235.6	223.8	215.7	170.5	94.6%	0.9	423.0	1.8	2.2	7.0	1.874	92	970	
YE2-315L1-2	160	2980	281.8	267.7	258.0	204.0	94.8%	0.91	512.8	1.8	2.2	7.1	2.296	92	1070	
YE2-315L-2	185	2980	325.8	309.5	298.3	235.8	94.8%	0.91	592.9	1.8	2.2	7.1	2.3872	92	1100	
YE2-315L2-2	200	2980	351.5	333.9	321.9	254.4	95.0%	0.91	640.9	1.8	2.2	7.1	2.478	92	1040	
YE2-355M1-2	220	2980	386.7	367.3	354.0	279.9	95.0%	0.91	705.0	1.6	2.2	7.1	3.2	100	1560	
YE2-355M2-2	250	2980	439.4	417.4	402.3	318.0	95.0%	0.91	801.2	1.6	2.2	7.1	3.8	100	1638	
YE2-355L1-2	280	2980	492.1	467.5	450.6	356.2	95.0%	0.91	897.3	1.6	2.2	7.2	4.4	100	1720	
YE2-355L2-2	315	2980	553.6	525.9	506.9	400.7	95.0%	0.91	1009.5	1.6	2.2	7.2	4.8	100	1834	
YE2-3551-2	355	2980	623.9	592.7	571.3	451.6	95.0%	0.91	1137.6	1.6	2.2	7.2	5.2	104	2150	
YE2-3552-2	375	2980	659.1	626.1	603.5	477.0	95.0%	0.91	1201.7	1.6	2.2	7.2	5.5	104	2280	

技术数据 Technical Data

4 极 – 同步转速 1500r/min 50HZ
4pole-1500rpm synchronous speed 50HZ

型号 Motor Type	额定功率 Rated Output KW	额定转速 Rated Speed rpm	额定电流 IFL 380V A	额定电流 IFL 400V A	额定电流 IFL 415V A	额定电流 IFL 525V A	效率 EFF %	功率因数 Power Factor cosφ	额定转矩 Rated Torque N.m	堵转转矩		堵转电流		转动惯量 M of I kgm2	噪音 Noise Level LW dB (A)	重量 Net Weight kg
										额定转矩 TST/TFL	最大转矩 TM/TFL	额定电流 IST/IFL	堵转电流			
YE2-80M2-4	0.75	1400	1.9	1.8	1.7	1.4	79.6%	0.76	5.1	2.3	2.3	6.4	0.003	56	16	
YE2-90S-4	1.1	1425	2.7	2.5	2.4	1.9	81.4%	0.77	7.4	2.3	2.3	6.6	0.004	59	21	
YE2-90L-4	1.5	1425	3.5	3.4	3.2	2.6	82.8%	0.78	10.1	2.3	2.3	6.7	0.006	59	26	
YE2-100L1-4	2.2	1440	5.0	4.7	4.5	3.6	84.3%	0.8	14.6	2.3	2.3	7.3	0.010	64	32	
YE2-100L2-4	3	1440	6.6	6.3	6.0	4.8	85.5%	0.81	19.9	2.3	2.3	7.5	0.013	64	34	
YE2-112M-4	4	1450	8.7	8.2	7.9	6.3	86.6%	0.81	26.3	2.3	2.3	7.5	0.019	65	46	
YE2-132S-4	5.5	1455	11.6	11.0	10.6	8.4	87.7%	0.82	36.1	2	2.3	7.5	0.036	71	68	
YE2-132M-4	7.5	1455	15.5	14.7	14.2	11.2	88.7%	0.83	49.2	2	2.3	7.3	0.047	71	77	
YE2-160M-4	11	1465	22.4	21.3	20.5	16.2	89.8%	0.83	71.7	2	2.3	7.4	0.103	73	118	
YE2-160L-4	15	1465	29.9	28.4	27.4	21.7	90.6%	0.84	97.8	2	2.3	7.5	0.131	73	134	
YE2-180M-4	18.5	1470	36.3	34.4	33.2	26.2	91.2%	0.85	120.2	2	2.3	7.6	0.183	76	183	
YE2-180L-4	22	1475	42.9	40.8	39.3	31.1	91.6%	0.85	142.4	2.1	2.3	7.7	0.219	76	215	
YE2-200L-4	30	1475	58.1	55.2	53.2	42.1	92.3%	0.85	194.2	2.1	2.3	7.1	0.297	76	265	
YE2-225S-4	37	1480	70.5	67.0	64.6	51.0	92.7%	0.86	238.8	2.1	2.3	7.3	0.578	78	296	
YE2-225M-4	45	1480	85.4	81.1	78.2	61.8	93.1%	0.86	290.4	2.2	2.3	7.3	0.659	78	328	
YE2-250M-4	55	1480	103.9	98.7	95.2	75.2	93.5%	0.86	354.9	2.2	2.3	7.3	0.818	79	420	
YE2-280S-4	75	1485	139.3	132.4	127.6	100.9	94.0%	0.87	482.3	2.2	2.3	6.8	1.571	80	540	
YE2-280M-4	90	1485	165.0	156.7	151.0	119.4	94.2%	0.88	578.8	2.2	2.3	6.9	1.964	80	622	
YE2-315S-4	110	1485	198.7	188.8	182.0	143.8	94.5%	0.89	707.4	2.1	2.2	6.9	3.247	88	860	
YE2-315M-4	132	1485	238.0	226.1	217.9	172.2	94.7%	0.89	848.9	2.1	2.2	6.9	3.527	88	942	
YE2-315L1-4	160	1485	284.6	270.4	260.6	206.0	94.9%	0.9	1029.0	2.1	2.2	6.9	4.087	88	1018	
YE2-315L-4	185	1485	329.1	312.6	301.3	238.2	94.9%	0.9	1189.7	2.1	2.2	6.9	4.927	88	1090	
YE2-315L2-4	200	1485	355.0	337.3	325.1	257.0	95.1%	0.9	1286.2	2.1	2.2	6.9	5.374	88	1158	
YE2-355M1-4	220	1490	390.5	371.0	357.6	282.7	95.1%	0.9	1410.1	2.0	2.2	6.9	7.6	95	1503	
YE2-355M2-4	250	1490	443.8	421.6	406.4	321.2	95.1%	0.9	1602.3	2.0	2.2	6.9	8.4	95	1660	
YE2-355L1-4	280	1490	497.1	472.2	455.1	359.8	95.1%	0.9	1794.6	2.0	2.2	6.9	9.2	95	1758	
YE2-355L2-4	315	1490	559.2	531.2	512.0	404.7	95.1%	0.9	2019.0	2.0	2.2	6.9	9.9	95	1804	
YE2-3551-4	355	1490	637.3	605.4	583.5	461.3	95.1%	0.9	2275.3	2.0	2.2	6.9	11.2	102	2291	
YE2-3552-4	375	1490	680.8	646.8	623.4	492.8	95.1%	0.9	2403.5	2.0	2.2	6.9	12.6	102	2376	

技术数据 Technical Data

6 极 – 同步转速 1000r/min 50HZ
6pole-1000rpm synchronous speed 50HZ

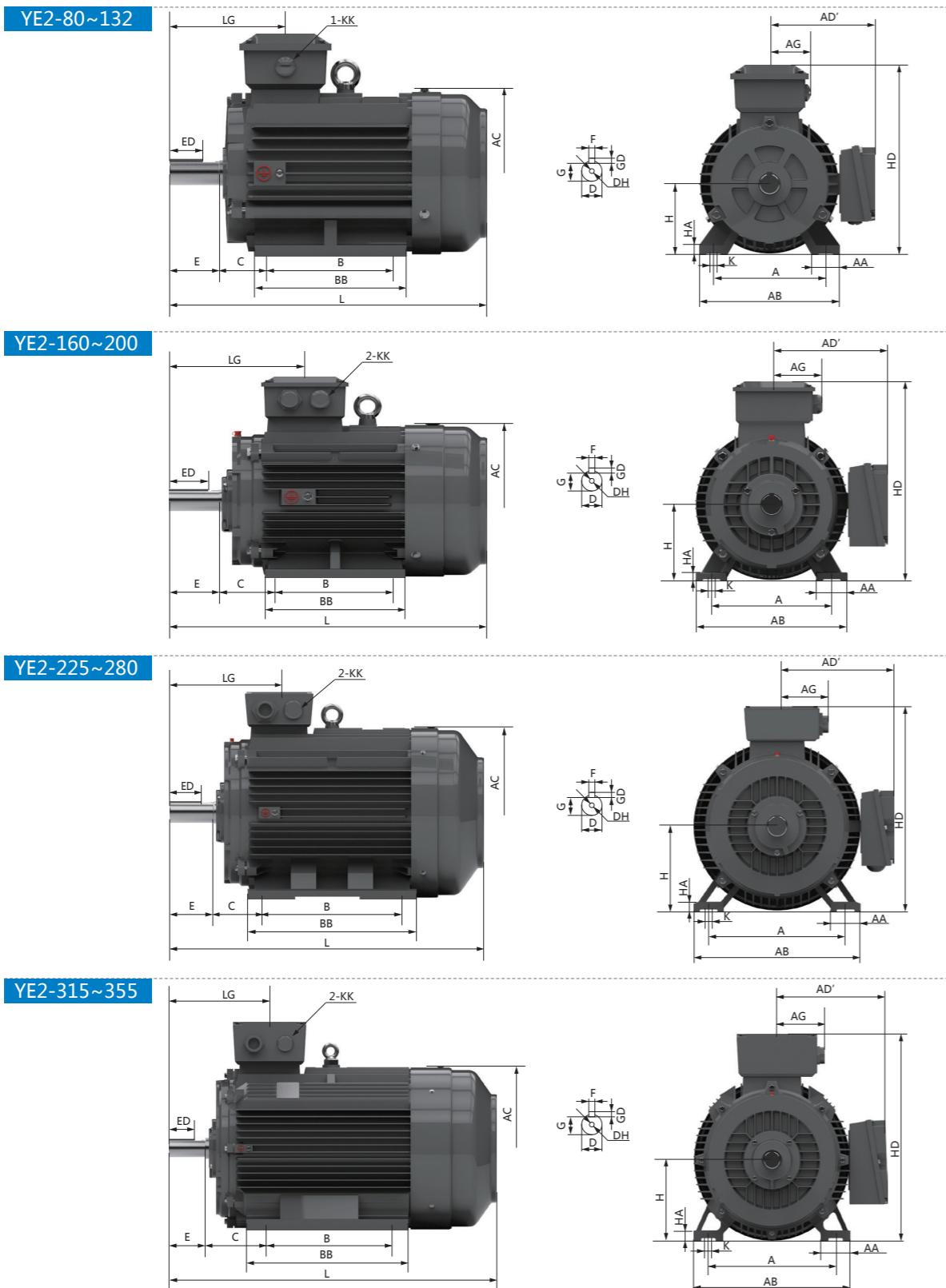
型号 Motor Type	额定 功率 Rated Output KW	额定 转速 Rated Speed rpm	额定 电流 IFL 380V A	额定 电流 IFL 400V A	额定 电流 IFL 415V A	额定 电流 IFL 525V A	效率 EFF %	功率 因数 Power Factor cosφ	额定 转矩 Rated Torque N.m	堵转转矩		堵转电流 IST/IFL	转动 惯量 M of I kgm ²	噪音 Noise Level LW dB (A)	重量 Net Weight kg
										额定转矩 TST/TFL	最大转矩 TM/TFL				
YE2-90S-6	0.75	935	2.1	2.0	1.9	1.5	75.9%	0.71	7.7	2.0	2.1	5.8	0.005	57	24
YE2-90L-6	1.1	940	3.0	2.8	2.7	2.2	78.1%	0.72	11.2	2.0	2.1	5.9	0.008	57	26
YE2-100L-6	1.5	945	4.0	3.8	3.6	2.9	79.8%	0.72	15.2	2.0	2.1	5.9	0.013	61	31
YE2-112M-6	2.2	950	5.7	5.4	5.2	4.1	81.8%	0.72	22.1	2.0	2.1	6.2	0.020	65	40
YE2-132S-6	3	960	7.6	7.2	7.0	5.5	83.3%	0.72	29.8	2.0	2.1	6.4	0.038	69	62
YE2-132M1-6	4	960	9.7	9.2	8.9	7.0	84.6%	0.74	39.8	2.0	2.1	6.6	0.050	69	66
YE2-132M2-6	5.5	960	13.0	12.3	11.9	9.4	86.0%	0.75	54.7	2.0	2.1	6.8	0.066	69	76
YE2-160M-6	7.5	970	16.8	15.9	15.3	12.1	87.2%	0.78	73.8	2.0	2.1	6.8	0.121	73	112
YE2-160L-6	11	970	23.9	22.7	21.8	17.3	88.7%	0.79	108.3	2.0	2.1	6.9	0.161	73	134
YE2-180L-6	15	975	31.0	29.4	28.4	22.4	89.7%	0.82	146.9	2.0	2.1	7.3	0.264	73	182
YE2-200L1-6	18.5	975	38.9	36.9	35.6	28.1	90.4%	0.8	181.2	2.0	2.1	7.2	0.407	73	230
YE2-200L2-6	22	975	45.4	43.1	41.6	32.9	90.9%	0.81	215.5	2.0	2.1	7.3	0.459	73	240
YE2-225M-6	30	985	60.6	57.6	55.5	43.9	91.7%	0.82	290.9	2.0	2.1	6.8	0.648	74	292
YE2-250M-6	37	985	73.5	69.8	67.3	53.2	92.2%	0.83	358.7	2.0	2.1	7	0.979	76	388
YE2-280S-6	45	985	86.8	82.4	79.5	62.8	92.7%	0.85	436.3	2.0	2.0	7.2	1.790	78	490
YE2-280M-6	55	985	104.4	99.2	95.6	75.5	93.1%	0.86	533.2	2.0	2.0	7.2	2.164	78	560
YE2-315S-6	75	990	144.8	137.5	132.6	104.8	93.7%	0.84	723.5	2.0	2.0	6.5	4.279	83	800
YE2-315M-6	90	990	171.1	162.6	156.7	123.9	94.0%	0.85	868.2	2.0	2.0	6.6	5.017	83	920
YE2-315L1-6	110	990	208.5	198.1	190.9	150.9	94.3%	0.85	1061.1	2.0	2.0	6.6	5.607	83	1020
YE2-315L2-6	132	990	246.5	234.2	225.7	178.4	94.6%	0.86	1273.3	2.0	2.0	6.6	6.640	83	1110
YE2-355M1-6	160	990	298.2	283.3	273.0	215.8	94.8%	0.86	1543.4	2.0	2.2	6.7	9.6	85	1554
YE2-355M-6	185	990	344.8	327.5	315.7	249.6	94.8%	0.86	1784.6	2.0	2.2	6.8	10.5	85	1600
YE2-355M2-6	200	990	371.9	353.3	340.6	269.2	95.0%	0.86	1929.3	2.0	2.2	6.8	11.9	85	1768
YE2-355L1-6	220	990	409.1	388.7	374.6	296.1	95.0%	0.86	2122.2	2.0	2.2	6.8	12.9	85	1730
YE2-355L2-6	250	990	464.9	441.7	425.7	336.5	95.0%	0.86	2411.6	2.0	2.2	6.8	13.4	85	1810
YE2-3551-6	280	990	520.7	494.7	476.8	376.9	95.0%	0.86	2701.0	2.0	2.2	6.8	13.9	91	2260
YE2-3552-6	315	990	585.8	556.5	536.4	424.0	95.0%	0.86	3038.6	2.0	2.2	6.8	14.3	91	2350

技术数据 Technical Data

8 极 – 同步转速 750r/min 50HZ
8pole-750rpm synchronous speed 50HZ

型号 Motor Type	额定 功率 Rated Output KW	额定 转速 Rated Speed rpm	额定 电流 IFL 380V A	额定 电流 IFL 400V A	额定 电流 IFL 415V A	额定 电流 IFL 525V A	效率 EFF %	功率 因数 Power Factor cosφ	额定 转矩 Rated Torque N.m	堵转转矩		堵转电流 IST/IFL	转动 惯量 M of I kgm ²	噪音 Noise Level LW dB (A)	重量 Net Weight kg
										额定转矩 TST/TFL	最大转矩 TM/TFL				
YE2-100L1-8	0.75	690	2.6	2.4	2.4	1.9	66.2%	0.67	10.4	1.8	2.0	6.1	0.008	59	30
YE2-100L2-8	1.1	690	3.4	3.3	3.1	2.5	70.8%	0.69	15.2	1.8	2.0	6.1	0.010	59	35
YE2-112M-8	1.5	690	4.4	4.2	4.0	3.2	74.1%	0.70	20.8	1.8	2.0	6.4	0.017	61	40
YE2-132S-8	2.2	710	6.1	5.8	5.6	4.4	77.6%	0.71	29.6	1.8	2.0	6.4	0.031	64	55
YE2-132M-8	3	710	7.8	7.4	7.1	5.6	80.0%	0.73	40.4	1.8	2.0	6.8	0.040	64	65
YE2-160M1-8	4	720	10.2	9.7	9.3	7.4	81.9%	0.73	53.1	1.9	2.0	6.8	0.075	68	95
YE2-160M2-8	5.5	720	13.5	12.8	12.3	9.8	83.8%	0.74	73.0	1.9	2.0	6.7	0.093	68	115
YE2-160L-8	7.5	720	17.8	16.9	16.3	12.9	85.3%	0.75	99.5	1.9	2.0	6.4	0.126	68	125
YE2-180L-8	11	730	25.6	24.4	23.5	18.6	86.9%	0.75	143.9	2	2.0	6.5	0.203	70	180
YE2-200L-8	15	730	34.1	32.4	31.2	24.7	88.0%	0.76	196.2	2	2.0	6.6	0.339	73	220
YE2-225S-8	18.5	730	41.7	39.7	38.2	30.2	88.6%	0.76	242.0	1.9	2.0	6.6	0.491	73	260
YE2-225M-8	22	740	48.1	45.7	44.0	34.8	89.1%	0.78	283.9	1.9	2.0	6.6	0.547	73	290
YE2-250M-8	30	740	64.3	61.0	58.8	46.5	89.8%	0.79	387.2	1.9	2.0	6.5	0.830	75	380
YE2-280S-8	37	740	78.8	74.9	72.2	57.0	90.3%	0.79	477.5	1.9	2.0	6.5	1.390	76	490
YE2-280M-8	45	740	95.4	90.7	87.4	69.1	90.7%	0.79	580.7	1.9	2.0	6.5	1.650	76	530
YE2-315S-8	55	740	113.4	107.7	103.8	82.1	91.0%	0.81	709.8	1.8	2.0	6.6	4.790	82	770
YE2-315M-8	75	740	153.6	145.9	140.6	111.2	91.6%	0.81	967.9	1.8	2.0	6.1	5.580	82	900
YE2-315L1-8	90	740	181.5	172.4	166.2	131.3	91.9%	0.82	1161.5	1.8	2.0	6.2	6.370	82	960
YE2-315L2-8	110	740	220.8	209.8	202.2	159.8	92.3%	0.82	1419.6	1.8	2.0	6.3	7.230	82	1060
YE2-355M1-8	132	740	264.1	251.0	241.9	191.2	92.6%	0.82	1704	1.8	2.0	6.3	7.6	89	1556
YE2-355M2-8	160	740	318.8	302.8	291.9	230.7	93.0%	0.82	2066	1.8	2.0	6.3	11.7	89	1680
YE2-355L1-8	185	740	366.6	348.3	335.7	265.4	93.5%	0.82	2388	1.8	2.0	6.3	12.5	89	1760
YE2-355L2-8	200	740	396.4	376.5	363.0	287.0	93.5%	0.82	2582	1.8	2.0	6.4	12.9	89	1850
YE2-3551-8	220	740	436.0	414.2	399.2	315.6	93.5%	0.82	2839	1.8	2.0	6.4	13.9	89	2236
YE2-3552-8	250	740	495.5	470.7	453.6	358.6	93.5%	0.82	3226	1.8	2.0	6.4	14.2	89	2380

◆ B3 外形及安装尺寸 Dimensions Foot Mount B3



◆ B3 外形及安装尺寸 Dimensions Foot Mount B3

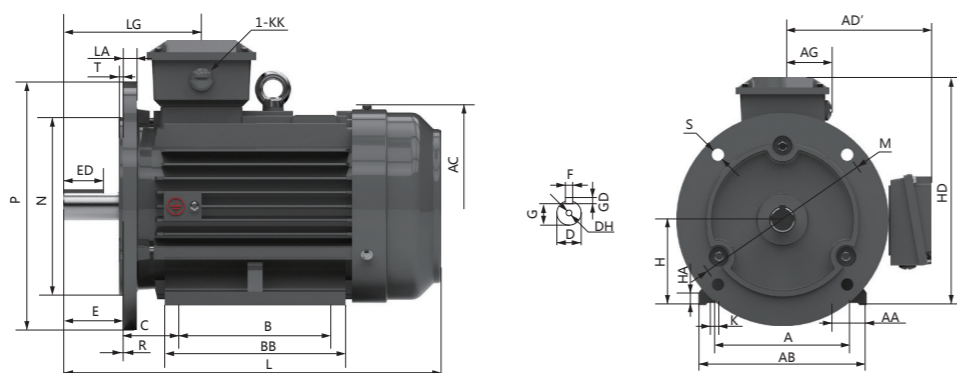
机座号 FRAME SIZE	极数 POLES	A	AA	AB	AC	AD'	AG	B	BB	C	D	DH*	E	ED	F	G	GD	H	HA	HD	K	KK	L*	LG
80M	2-8	125	34	160	175	140	51	100	130	50	19	M6X16	40	22	6	15.5	6	80	10	230	10	M24X1.5	295	106
90S	2-8	140	36	180	190	150	60	100	135	56	24	M8X19	50	32	8	20	7	90	12.5	255	10	M24X1.5	318	126
90L	2-8	140	36	180	190	150	60	125	160	56	24	M8X19	50	32	8	20	7	90	12.5	255	10	M24X1.5	343	126
100L	2-8	160	40	200	215	160	60	140	182	63	28	M10X22	60	40	8	24	7	100	14	270	12	M24X1.5	381	142
112M	2-8	190	45	230	236	185	75	140	195	70	28	M10X22	60	40	8	24	7	112	14	307	12	M30X2	399	144
132S	2-8	216	52	265	275	205	75	140	205	89	38	M12X28	80	56	10	33	8	132	16	347	12	M30X2	474	169
132M	2-8	216	52	265	275	205	75	178	245	89	38	M12X28	80	56	10	33	8	132	16	347	12	M30X2	512	169
160M	2-8	254	67	320	330	250	95	210	260	108	42	M16X36	110	80	12	37	8	160	19	425	14.5	M36X2	614	270
160L	2-8	254	67	320	330	250	95	254	305	108	42	M16X36	110	80	12	37	8	160	19	425	14.5	M36X2	658	270
180M	2-8	279	74	350	380	270	95	241	297	121	48	M16X36	110	80	14	42.5	9	180	22	460	14.5	M36X2	683	277
180L	2-8	279	74	350	380	270	95	279	335	121	48	M16X36	110	80	14	42.5	9	180	22	460	14.5	M36X2	721	277
200L	2-8	318	75	395	420	325	120	305	370	133	55	M20X42	110	80	16	49	10	200	25	515	18.5	M48X2	781	298
225S	4-8	356	80	436	465	335	120	286	355	149	60	M20X42	140	100	18	53	11	225	28	560	18.5	M48X2	831	340
225M	2	356	80	436	465	335	120	311	380	149	55	M20X42	110	80	16	49	10	225	28	560	18.5	M48X2	821	310
225M	4-8	356	80	436	465	335	120	311	380	149	60	M20X42	140	100	18	53	11	225	28	560	18.5	M48X2	856	340
250M	2	406	88	495	520	370	160	349	440	168	60	M20X42	140	100	18	53	11	250	33	620	24	M64X2	935	360
250M	4-8	406	88	495	520	370	160	349	440	168	65	M20X42	140	100	18	58	11	250	33	620	24	M64X2	941	360
280S	2	457	100	550	570	395	160	368	495	190	65	M20X42	140	100	18	58	11	280	35	685	24	M64X2	965	350
280S	4-8	457	100	550	570	395	160	368	495	190	75	M20X42	140	100	20	67.5	12	280	35	685	24	M64X2	969	350
280M	2	457	100	550	570	395	160	419	535	190	65	M20X42	140	100	18	58	11	280	35	685	24	M64X2	1005	350
280M	4-8	457	100	550	570	395	160	419	535	190	75	M20X42	140	100	20	67.5	12	280	35	685	24	M64X2	1009	350
315S	2	508	120	635	650	495	195	406	515	216	65	M20X42	140	100	18	58	11	315	45	820	28	M64X2	1145	387
315M	2	508	120	635	650	495	195	457	625	216	65	M20X42	140	100	18	58	11	315	45	820	28	M64X2	1255	387
315L	2	508	120	635	650	495	195	508	625	216	65	M20X42	140	100	18	58	11	315	45	820	28	M64X2	1255	387
315S	4-8	508	120	635	650	495	195	406	515	216	80	M20X42	170	130	22	71	14	315	45	820	28	M64X2	1196	417
315M	4-8	508	120	635	650	495	195	457	625	216	80	M20X42	170	130	22	71	14	315	45	820	28	M64X2	1306	417
315L	4-8	508	120	635	650	495	195	508	625	216	80	M20X42	170	130	22	71	14	315	45	820	28	M64X2	1306	417
355M	2	610	125	735	735	640	260	560	775	254	75	M24X50	140	110	20	67.5	12	355	49	1000	28	M72X2	1490	415
355L	2	610	125	735	735	640	260	630	775	254	75	M24X50	140	110	20	67.5	12	355	49	1000	28	M72X2	1490	415
355M	4-8	610	125	735	735	640	260	560	775	254	95	M24X50	170	140	25	86	14	355	49	1000	28	M72X2	1520	445
355L	4-8	610	125	735	735	640	260	630	775	254	95	M24X50	170	140	25	86	14	355	49	1000	28	M72X2	1520	445
355L	2	610	125	735	735	640	260	630	875	254	75	M24X50	140	110	20	67.5	12	355	49	1000	28	M72X2	1590	415
355L	4-8	610	125	735	735	640	260	630	875	254	95	M24X50	170	140	25	86	14	355	49	1000	28	M72X2	1620	445

注：
 1、图中 DH 默认为不带螺纹的中心孔，可根据需要加工成螺纹孔。
 The 'DH' defaults to a non-threaded center hole and it can be machined into a threaded hole as required
 2、80-132 机座号的 L 尺寸公差 +5, 160-355 机座号的 L 尺寸公差 +8。
 The dimension of 'L' with tolerance +5 for frame 80-132, tolerance +8 for frame 160-355.
 3、因 355 机座号功率较多，安装尺寸不同，订货时请另询外形图
 Due to the motors with frame size 355 have various powers, the installation size is different, please consult the external outline drawing when ordering.

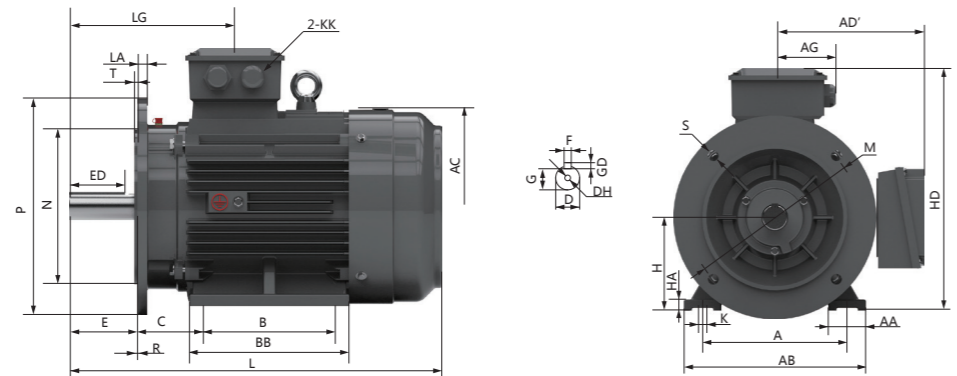
B35 外形及安装尺寸 Dimensions Foot-Flange Mount B35

B35 外形及安装尺寸 Dimensions Foot-Flange Mount B35

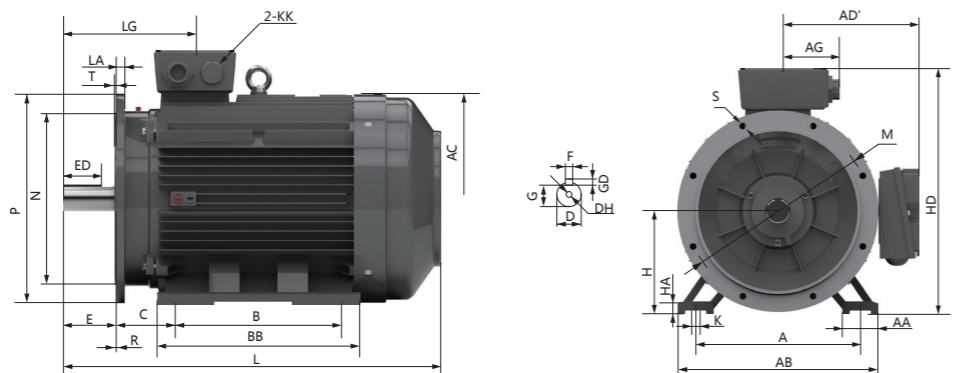
YE2-80~132



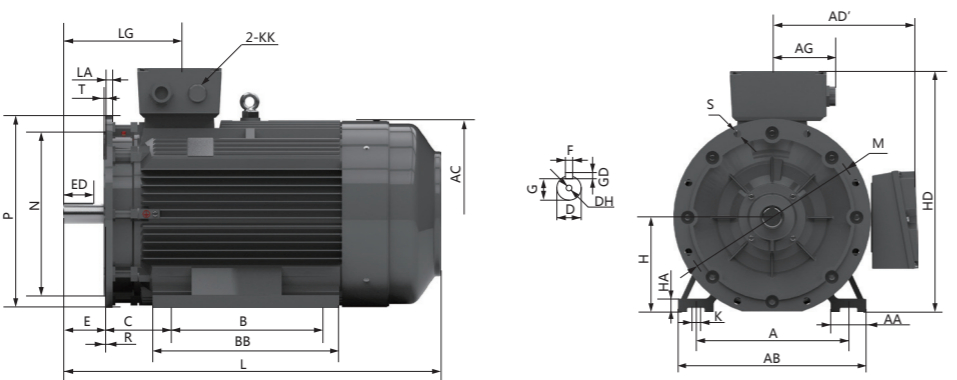
YE2-160~200



YE2-225~280



YE2-315~355

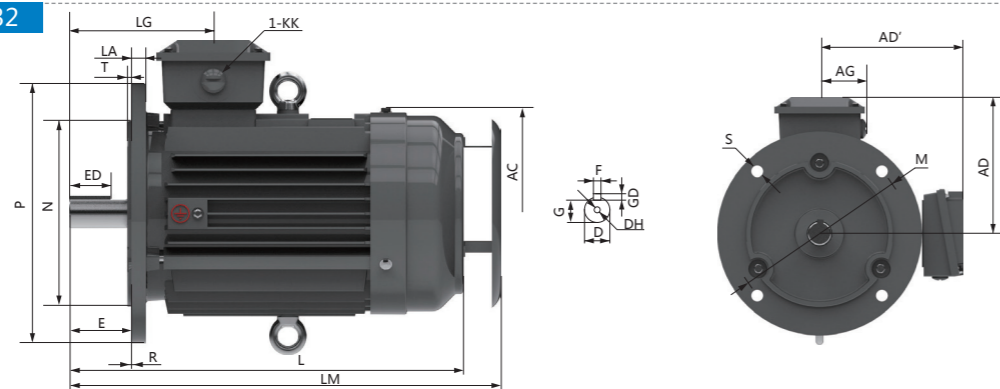


机座号 FRAME SIZE	极数 POLES	A	AA	AB	AC	AD'	AG	B	BB	C	D	DH	E	ED	F	G	GD	H	HA	HD	K	L	LA	LG	M	N	P	S	T	KK
80M	2-8	125	34	160	175	140	51	100	130	50	19	M6X16	40	22	6	15.5	6	80	10	230	10	295	12	106	165	130	200	12	3.5	M24X1.5
90S	2-8	140	36	180	190	150	60	100	135	56	24	M8X19	50	32	8	20	7	90	12.5	255	10	318	12	126	165	130	200	12	3.5	M24X1.5
90L	2-8	140	36	180	190	150	60	125	160	56	24	M8X19	50	32	8	20	7	90	12.5	255	10	343	12	126	165	130	200	12	3.5	M24X1.5
100L	2-8	160	40	200	215	160	60	140	182	63	28	M10X22	60	40	8	24	7	100	14	270	12	381	14	142	215	180	250	14.5	4	M24X1.5
112M	2-8	190	45	230	236	185	75	140	195	70	28	M10X22	60	40	8	24	7	112	14	307	12	399	14	141	215	180	250	14.5	4	M30X2
132S	2-8	216	52	265	275	205	75	140	205	89	38	M12X28	80	56	10	33	8	132	16	347	12	474	14	169	265	230	300	14.5	4	M30X2
132M	2-8	216	52	265	275	205	75	178	245	89	38	M12X28	80	56	10	33	8	132	16	347	12	512	14	169	265	230	300	14.5	4	M30X2
160M	2-8	254	67	320	330	250	95	210	260	108	42	M16X36	110	80	12	37	8	160	19	425	14.5	614	15	270	300	250	350	18.5	5	M36X2
160L	2-8	254	67	320	330	250	95	254	305	108	42	M16X36	110	80	12	37	8	160	19	425	14.5	658	15	270	300	250	350	18.5	5	M36X2
180M	2-8	279	74	350	380	270	95	241	297	121	48	M16X36	110	80	14	42.5	9	180	22	460	14.5	683	15	277	300	250	350	18.5	5	M36X2
180L	2-8	279	74	350	380	270	95	279	335	121	48	M16X36	110	80	14	42.5	9	180	22	460	14.5	721	15	277	300	250	350	18.5	5	M36X2
200L	2-8	318	75	395	420	325	120	305	370	133	55	M20X42	110	80	16	49	10	200	25	515	18.5	781	17	298	350	300	400	18.5	5	M48X2
225S	4-8	356	80	436	465	335	120	286	355	149	60	M20X42	140	100	18	53	11	225	28	560	18.5	831	19	340	400	350	450	18.5	5	M48X2
225M	2	356	80	436	465	335	120	311	380	149	55	M20X42	110	80	16	49	10	225	28	560	18.5	821	19	310	400	350	450	18.5	5	M48X2
225M	4-8	356	80	436	465	335	120	311	380	149	60	M20X42	140	100	18	53	11	225	28	560	18.5	856	19	340	400	350	450	18.5	5	M48X2
250M	2	406	88	495	520	370	160	349	440	168	60	M20X42	140	100	18	53	11	250	33	620	24	935	20	360	500	450	550	18.5	5	M64X2
250M	4-8	406	88	495	520	370	160	349	440	168	65	M20X42	140	100	18	58	11	250	33	620	24	941	20	360	500	450	550	18.5	5	M64X2
280S	2	457	100	550	570	395	160	368	495	190	65	M20X42	140	100	18	58	11	280	35	685	24	965	22	350	500	450	550	18.5	5	M64X2
280S	4-8	457	100	550	570	395	160	368	495	190	75	M20X42	140	100	20	67.5	12	280	35	685	24	969	22	350	500	450	550	18.5	5	M64X2
280M	2	457	100	550	570	395	160	419	535	190	65	M20X42	140	100	18	58	11	280	35	685	24	1005	22	350	500	450	550	18.5	5	M64X2
280M	4-8	457	100	550	570	395	160	419	535	190	75	M20X42	140	100	20	67.5	12	280	35	685	24	1009	22	350	500	450	550	18.5	5	M64X2
315S	2	508	120	635	650	495	195	406	515	216	65	M20X42	140	100	18	58	11	315	45	820	28	1145	24	387	600	550	660	24	6	M64X2
315M	2	508	120	635	650	495	195	457	625	216	65	M20X42	140	100	18	58	11	315	45	820	28	1255	24	387	600	550	660	24	6	M64X2
315L	2	508	120	635	650	495	195	508	625	216	65	M20X42	140	100	18	58	11	315	45	820	28	1255	24	387	600	550	660	24	6	M64X2
315S	4-8	508	120	635	650	495	195	406	515	216	80	M20X42	170	130	22	71	14	315	45	820	28	1196	24	417	600	550	660	24	6	M64X2
315M	4-8	508	120	635	650	495	195	457	625	216	80	M20X42	170	130	22	71	14	315	45	820	28	1306	24	417	600	550	660	24	6	M64X2
315L	4-8	508	120	635	650	495	195	508	625	216	80	M20X42	170	130	22	71	14	315	45	820	28	1306	24	417	600	550	660	24	6	M64X2
355M	2	610	125	735	735	640	260	560	775	254	75	M24X50	140	110	20	67.5	12	355	49	1000	28	1490	25	415	740	680	800	24	6	M72X2
355L	2	610	125	735	735	640	260	630	775	254	75	M24X50	140	110	20	67.5	12	355	49	1000	28	1490	25	415	740	680	800	24	6	M72X2
355M	4-8	610	125	735	735	640	260	560	775	254	95	M24X50	170	140	25	86	14	355	49	1000	28	1520	25	445	740	680	800	24	6	M72X2
355L	4-8	610	125	735	735	640	260	630	775	254	95	M24X50	170	140	25	86	14	355	49	1000	28	1520	25	445	740	680	800	24	6	M72X2
355L	2	610	125	735	735	640	260	630	875	254	75	M24X50	140	110	20	67.5	12	355	49	1000	28	1590	25	415	740	680	800	24	6	M72X2
355L	4-8	610	125	735	735	640	260	630	875	254	95	M24X50	170	140	25	86	14	355	49	1000	28	1620	25	445	740	680	800	24	6	M72X2

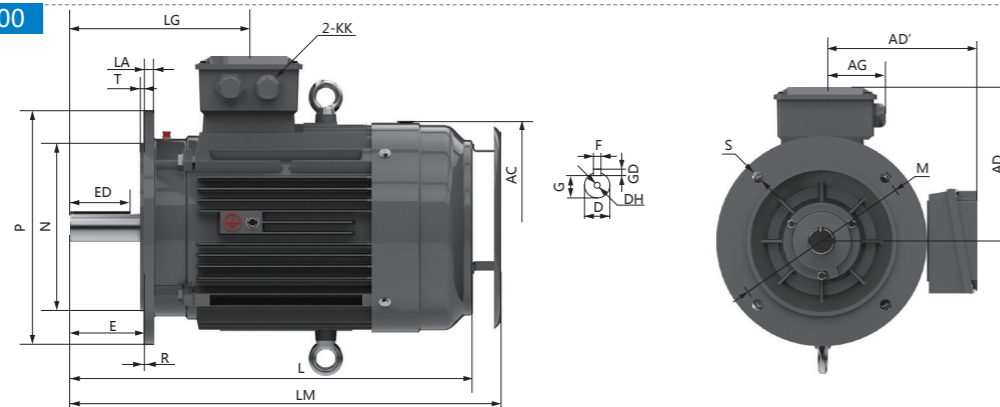
注：
 1、图中 R 尺寸值均为 0。The 'R' dimensions is zero.
 2、图中 DH 默认为不带螺纹的中心孔，可根据需要加工成螺纹孔。
 The 'DH' defaults to a non-threaded center hole and it can be machined into a threaded hole as required.
 3、80-132 机座号的 L 尺寸公差 +5,160-355 机座号的 L 尺寸公差 +8。
 The dimension of 'L' with tolerance +5 for frame 80-132,tolerance +8 for frame 160-355.
 4、因 355 机座号功率较多，安装尺寸不同，订货时请另询外形图。
 Due to the motors with frame size 355 have various powers,the installation size is different, please consult the external outline drawing when ordering.

◆ B5&V1 外形及安装尺寸 Dimensions Flange Mount B5&V1

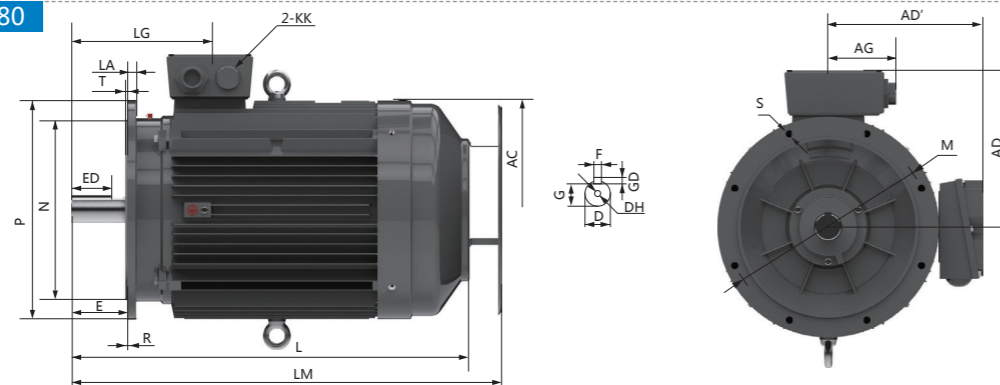
YE2-80~132



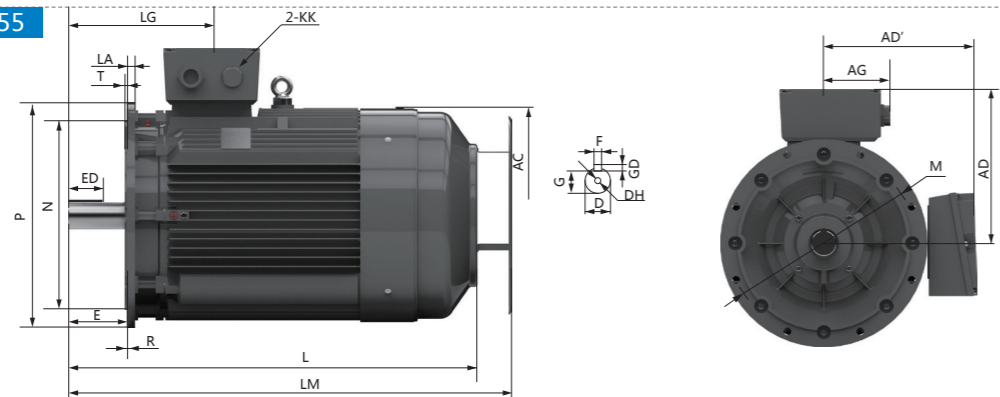
YE2-160~200



YE2-225~280



YE2-315~355



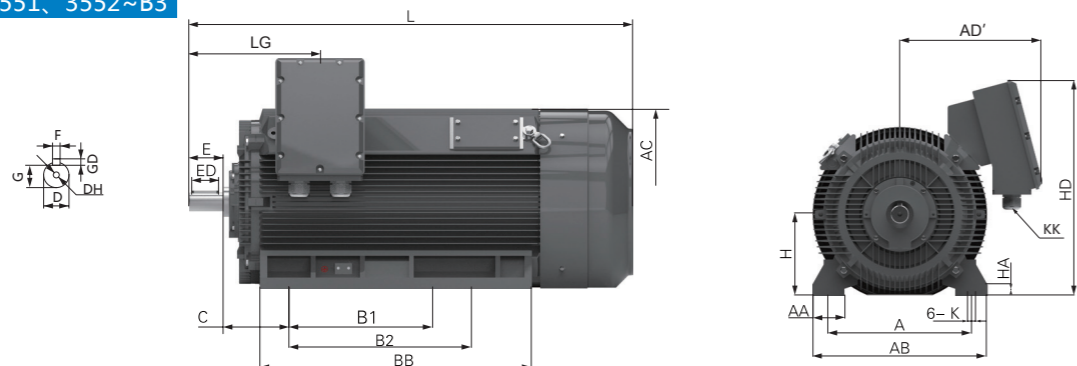
◆ B5&V1 外形及安装尺寸 Dimensions Flange Mount B5&V1

机座号 FRAME SIZE	极数 POLES	AC	D	AD	AD'	AG	DH	E	ED	F	G	GD	LA	LG	M	N	P	S	T	KK	L	LM
80M	2-8	175	19	150	140	51	M6X16	40	22	6	15.5	6	12	106	165	130	200	12	3.5	M24X1.5	295	-
90S	2-8	190	24	165	150	60	M8X19	50	32	8	20	7	12	126	165	130	200	12	3.5	M24X1.5	318	-
90L	2-8	190	24	165	150	60	M8X19	50	32	8	20	7	12	126	165	130	200	12	3.5	M24X1.5	343	-
100L	2-8	215	28	170	160	60	M10X22	60	40	8	24	7	14	142	215	180	250	14.5	4	M24X1.5	381	-
112M	2-8	236	28	195	185	75	M10X22	60	40	8	24	7	14	144	215	180	250	14.5	4	M30X2	399	-
132S	2-8	275	38	215	205	75	M12X28	80	56	10	33	8	14	169	265	230	300	14.5	4	M30X2	474	-
132M	2-8	275	38	215	205	75	M12X28	80	56	10	33	8	14	169	265	230	300	14.5	4	M30X2	512	-
160M	2-8	330	42	265	250	95	M16X36	110	80	12	37	8	15	270	300	250	350	18.5	5	M36X2	614	659
160L	2-8	330	42	265	250	95	M16X36	110	80	12	37	8	15	270	300	250	350	18.5	5	M36X2	658	703
180M	2-8	380	48	280	270	95	M16X36	110	80	14	42.5	9	15	277	300	250	350	18.5	5	M36X2	683	728
180L	2-8	380	48	280	270	95	M16X36	110	80	14	42.5	9	15	277	300	250	350	18.5	5	M36X2	721	766
200L	2-8	420	55	315	325	120	M20X42	110	80	16	49	10	17	298	350	300	400	18.5	5	M48X2	781	856
225S	4-8	465	60	335	335	120	M20X42	140	100	18	53	11	19	340	400	350	450	18.5	5	M48X2	831	906
225M	2	465	55	335	335	120	M20X42	110	80	16	49	10	19	310	400	350	450	18.5	5	M48X2	821	896
225M	4-8	465	60	335	335	120	M20X42	140	100	18	53	11	19	340	400	350	450	18.5	5	M48X2	856	931
250M	2	520	60	375	370	160	M20X42	140	100	18	53	11	20	360	500	450	550	18.5	5	M64X2	935	1010
250M	4-8	520	65	375	370	160	M20X42	140	100	18	58	11	20	360	500	450	550	18.5	5	M64X2	941	1016
280S	2	570	65	395	400	160	M20X42	140	100	18	58	11	22	350	500	450	550	18.5	5	M64X2	965	1050
280S	4-8	570	75	395	400	160	M20X42	140	100	20	67.5	12	22	350	500	450	550	18.5	5	M64X2	969	1054
280M	2	570	65	395	400	160	M20X42	140	100	18	58	11	22	350	500	450	550	18.5	5	M64X2	1005	1090
280M	4-8	570	75	395	400	160	M20X42	140	100	20	67.5	12	22	350	500	450	550	18.5	5	M64X2	1009	1094
315S	2	650	65	500	495	195	M20X42	140	100	18	58	11	24	387	600	550	660	24	6	M64X2	1145	1230
315M	2	650	65	500	495	195	M20X42	140	100	18	58	11	24	387	600	550	660	24	6	M64X2	1255	1340
315L	2	650	65	500	495	195	M20X42	140	100	18	58	11	24	387	600	550	660	24	6	M64X2	1255	1340
315S	4-8	650	80	500	495	195	M20X42	170	130	22	71	14	24	417	600	550	660	24	6	M64X2	1196	1281
315M	4-8	650	80	500	495	195	M20X42	170	130	22	71	14	24	417	600	550	660	24	6	M64X2	1306	1391
315L	4-8	650	80	500	495	195	M20X42	170	130	22	71	14	24	417	600	550	660	24	6	M64X2	1306	1391
355M	2	735	75	645	640	260	M24X50	140	110	20	67.5	12	25	415	740	680	800	24	6	M72X2	1490	1590
355L(V1)	2	735	75	645	640	260	M24X50	140	110	20	67.5	12	25	415	740	680	800	24	6	M72X2	1490	1590
355M(V1)	4-8	735	95	645	640	260	M24X50	170	140	25	86	14	25	445	740	680	800	24	6	M72X2	1520	1620
355L(V1)	4-8	735	95	645	640	260	M24X50	170	140	25	86	14	25	445	740	680	800	24	6	M72X2	1520	1620
355L	2	735	75	645	640	260	M24X50	140	110	20	67.5	12	25	415	740	680	800	24	6	M72X2	1590	1690
355L	4-8	735	95	645	640	260	M24X50	170	140	25	86	14	25	445	740	680	800	24	6	M72X2	1620	1720

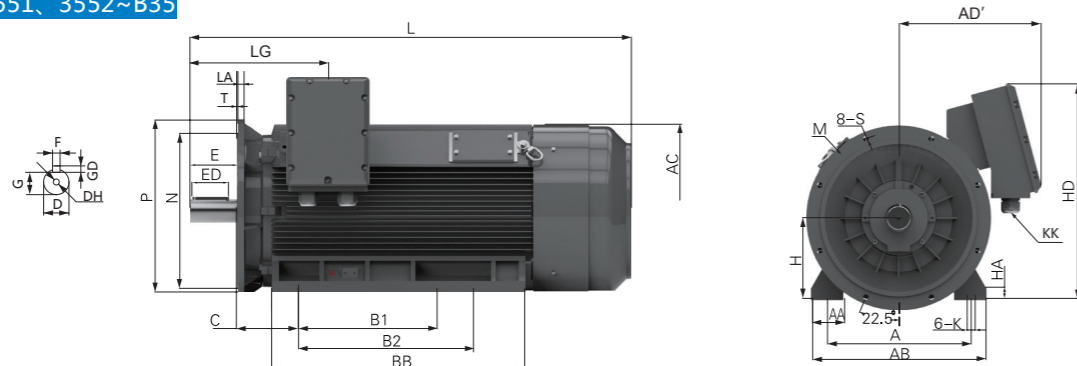
注：
1、图中 R 尺寸值均为 0。The 'R' dimensions is zero.
2、图中 DH 默认为不带螺纹的中心孔，可根据需要加工成螺纹孔。
The 'DH' defaults to a non-threaded center hole and it can be machined into a threaded hole as required.
3、80-132 机座号的 L 和 LM 尺寸公差 +5,160-355 机座号的 L 和 LM 尺寸公差 +8
The dimension of 'L' and 'LM' with tolerance +5 for frame 80-132,tolerance +8 for frame 160-355.
4、因 355 机座号功率较多，安装尺寸不同，订货时请另询外形图
Due to the motors with frame size 355 have various powers,the installation size is different, please consult the external outline drawing when ordering.

3551、3552 外形及安装尺寸 Mounting Dimensions 3551、3552

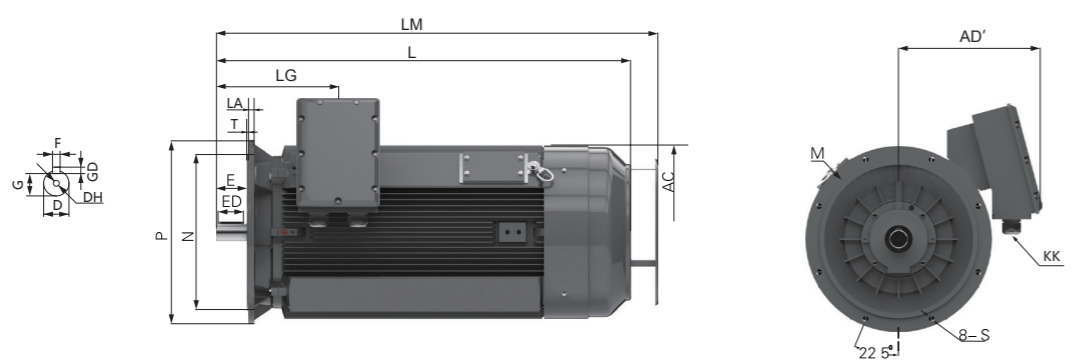
YE2-3551、3552~B3



YE2-3551、3552~B35



YE2-3551、3552~V1



机座号 FRAME SIZE	极数 POLES	A	AA	AB	AC	AD'	B1	B2	BB	C	D	DH	E	ED	F	G	GD	H	HA	HD	K	LA	L	LM	LG	M	N	P	S	T	KK
3551、3552	2	630	140	760	760	630	630	800	1110	224	80	M20X42	170	140	22	71	14	355	49	950	35	28	1850	1950	545	840	780	900	24	6	M72*2
3551、3552	4-8	630	140	760	760	630	630	800	1110	224	110	M24X50	210	160	28	100	16	355	49	950	35	28	1940	2040	585	840	780	900	24	6	M72*2

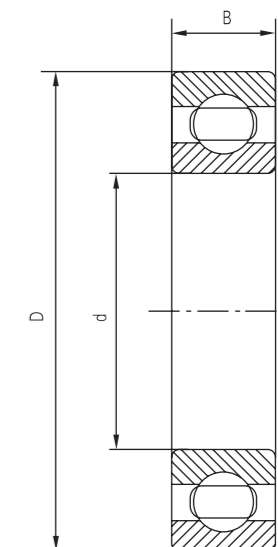
注：
1、图中 DH 默认为不带螺纹的中心孔，可根据需要加工成螺纹孔。
The 'DH' defaults to a non-threaded center hole and it can be machined into a threaded hole as required.
2、图中 L 和 LM 尺寸公差 +8。
The dimension of 'L' and 'LM' with tolerance +-8.

轴承、密封 Bearing、Seal

轴承数据

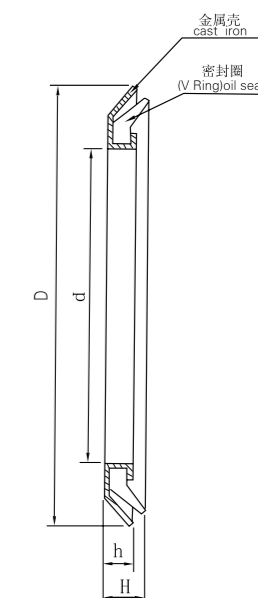
电机型号 Motor Type	轴伸端 DE	非轴伸端 NDE	d	D	B
YE2-80	6204ZZ	6204ZZ	20	47	14
YE2-90	6205ZZ	6205ZZ	25	52	15
YE2-100	6206ZZ	6206ZZ	30	62	16
YE2-112	6306ZZ	6306ZZ	30	72	19
YE2-132	6308ZZ	6308ZZ	40	90	23
YE2-160	6309	6309	45	100	25
YE2-180	6311	6311	55	120	29
YE2-200	6312	6312	60	130	31
YE2-225	6313	6313	65	140	33
YE2-250	6314	6314	70	150	35
YE2-280 2P	6314	6314	70	150	35
YE2-280 4-6P	6317	6317	85	180	41
YE2-315 2P	6316	6316	80	170	39
YE2-315 4-6P	6319	6319	95	200	45
YE2-355(2P) (B3,B35)	6319	6319	95	200	45
YE2-355(2P)V1	6319	7319	95	200	45
YE2-355(4-8P) (B3,B35)	6322	6322	110	240	50
YE2-355(4-8P)V1	6322	7322	110	240	50
YE2-3551、3552(2P) (B3,B35)	6319/C3	6319/C3	95	200	45
YE2-3551、3552(4-8P) (B3,B35)	NU324	6324	120	260	55
YE2-3551、3552(2P) V1	6319C3	7319	95	200	45
YE2-3551、3552(4-8P) V1	NU324	7324	110	260	55

轴承数据
bearing data



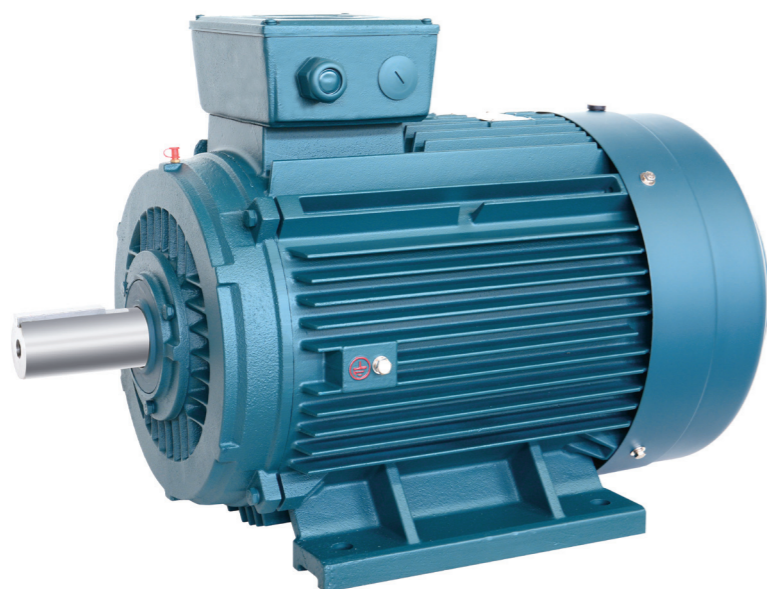
轴面油封数据

电机型号 Motor Type	油封规格 Oil Seal Size	d	D	h	H
YE2-80	RB20x35x4.0	Φ20	Φ35	3	6
YE2-90	RB25x40x4.0	Φ25	Φ40	3	6
YE2-100	RB30x47x4.5	Φ30	Φ47	3.5	6.5
YE2-112	RB30x47x4.5	Φ30	Φ47	3.5	6.5
YE2-132	RB40x57x4.5	Φ40	Φ57	3.5	6.5
YE2-160	RB45x62x4.5	Φ45	Φ62	3.5	6.5
YE2-180	RB55x75x5.5	Φ55	Φ75	4.5	6.5
YE2-200	RB60x80x5.5	Φ60	Φ80	4.5	6.5
YE2-225	RB65x85x5.5	Φ65	Φ85	4.5	8
YE2-250	RB70x90x5.5	Φ70	Φ90	4.5	8
YE2-280-2	RB70x90x5.5	Φ70	Φ90	4.5	8
YE2-280-4.6.8	RB85x105x5.5	Φ85	Φ105	4.5	8
YE2-315-2	RB80x100x5.5	Φ80	Φ100	4.5	8
YE2-315-4.6.8	RB95x115x5.5	Φ95	Φ115	4.5	8



YE3 系列三相异步电动机

YE3 Series Three-phase Asynchronous Motor



产品概述 Product Introduction

YE3 系列三相异步电动机符合 GB 18613-2012 《中小型三相异步电动机能效限定值及能效等级》中规定的二级效率标准。同时，符合 IEC 60034-30-1: 2014 标准的 IE3 能效等级。

其提高效率设计，符合国家对生产制造行业提出节能降耗的要求。

YE3 系列电机的安装尺寸符合 IEC 60034 标准。具有结构合理，外形美观，效率高，噪音低，防护等级、绝缘等级高等优点，可广泛应用于风机、水泵、机床、压缩机和运输机械等驱动各种通用机械设备，也可在石油、化工、钢铁、矿山等其它环境比较恶劣的场所使用。

YE3 series three-phase asynchronous motor is in line with the second efficiency standard in the provisions of GB18613-2012 "Minimum allowable values of energy efficiency and energy efficiency grades for small and medium three-phase asynchronous motors". Meanwhile, IE3 efficiency standard is also be satisfied in the provisions of IEC 60034-30-1:2014.

Improvement on design of efficiency is in line with the state's requirements on the energy saving and consumption reducing of the manufacturing sector.

YE3 series motors with the mounting dimension in accordance with standard IEC 60034, it has good features like, optimum structure, attractive appearance, low noise, high efficiency, high protection class as well as high insulation class. YE3 series motors can be widely used in various kinds of general use machineries like fans, pumps, machine tools, compressors, transportation and so on, and can also be used in the hazardous areas with oil and chemical, steel plants, mining industry.

详细说明 Specification

◆现场条件

YE3 系列电动机可适用于大多数的场合及环境。电动机标准工作条件为 -15° C 到 +40° C，海拔不超过 1000 米。

◆温升和绝缘

电动机按 155 (F) 级绝缘设计，按 B 级绝缘考核 (80K)，电动机的使用寿命和可靠性得到保证。

◆冷却和通风

标准冷却方式为全封闭自扇冷 (TEFC)。标准电机装有辅流式塑料风扇。符合 IEC 60034-6 中 IC41 1 的规定。

◆防护等级

电动机的防护等级为 IP55, 可用于含尘或潮湿环境。也可根据客户要求提供更高防护等级的电动机。

◆电机保护

可根据要求安装 PTC、PT100 等绕组和轴承测温及保护装置。

◆电压、频率

标准电机为 380V/50HZ 可设计 200-660V 范围内任意电压的 50Hz 的电动机。在供电电压偏离额定电压 ±5% 的情况下，仍能良好运行。

◆接线盒位置

接线盒在机座上方或右侧为标准 YE3 系列电机。

◆质量保证

从产品设计到产品出厂，遵循 IS 0900 1 质量认证体系，严格遵守质量程序。

◆ Site conditions

YE3 series motors are suitable for almost all applications and operate satisfactorily at temperature from -15° C to +40° C and the altitude is not more than 1000 meters.

◆ Temperature and insulation

155 (F) class insulation system and temperature rise class B (80K) are adopted to the motor, which increase the motor useful life and reliability.

◆ Cooling and ventilation

The standard cooling method is Totally Enclosed Fan Cooled (TEFC) in accordance with IC411 of IEC 60034-6. Standard motors are equipped with centrifuge plastic fans.

◆ Protection class

The standard protection degree of motor is IP55, which make moist and dusty condition is also allowable. Higher degree of protection is also available according to customer' s requirement.

◆ Motor protection

The protection and measurement equipment to Winding and bearing such as PTC, PT100 are available on request.

◆ Voltage and frequency

Standard voltage and frequency is 380V/ 50HZ, 200-660V special value on voltage and frequency is available on request. The motors will operate satisfactorily with variations of ±5% from the rated voltage.

◆ Terminal box location

Terminal box at the top or right of frame is the standard YE3 motor.

◆ Quality assurance

Stringent quality procedures are observed from first design to finished products in accordance with ISO9001 documented quality systems.

技术数据 Technical Data

6极 – 同步转速 1000r/min 50HZ
6pole-1000rpm synchronous speed 50HZ

型号 Motor Type	额定功率 Rated Output KW	额定转速 Rated Speed rpm	额定电流 IFL 380V A	额定电流 IFL 400V A	额定电流 IFL 415V A	额定电流 IFL 525V A	效率 EFF %	功率因数 Power Factor cosφ	额定转矩 Rated Torque N.m	堵转转矩 TST/TFL	最大转矩 TM/TFL	堵转电流 IST/IFL	转动惯量 M of I kgm2	噪音 Noise Level LW dB(A)	重量 Net Weight kg
YE3-90S-6	0.75	935	2.0	1.9	1.9	1.5	78.9%	0.71	7.7	2.0	2.1	6	0.004	57	25
YE3-90L-6	1.1	940	2.8	2.7	2.6	2.0	81.0%	0.73	11.2	2.0	2.1	6	0.006	57	30
YE3-100L-6	1.5	945	3.8	3.6	3.5	2.7	82.5%	0.73	15.2	2.0	2.1	6.5	0.016	61	40
YE3-112M-6	2.2	950	5.4	5.1	4.9	3.9	84.3%	0.74	22.1	2.0	2.1	6.6	0.039	65	39
YE3-132S-6	3	960	7.2	6.8	6.6	5.2	85.6%	0.74	29.8	2.0	2.1	6.8	0.035	69	61
YE3-132M1-6	4	960	9.5	9.0	8.7	6.8	86.8%	0.74	39.8	2.0	2.1	6.8	0.043	69	70
YE3-132M2-6	5.5	960	12.7	12.0	11.6	9.2	88.0%	0.75	54.7	2.0	2.1	7	0.056	69	78
YE3-160M-6	7.5	970	16.2	15.4	14.8	11.7	89.1%	0.79	73.8	2.0	2.1	7	0.140	73	116
YE3-160L-6	11	970	23.1	22.0	21.2	16.7	90.3%	0.80	108.3	2.0	2.1	7.2	0.192	73	142
YE3-180L-6	15	975	30.9	29.3	28.2	22.3	91.2%	0.81	146.9	2.0	2.1	7.3	0.319	73	188
YE3-200L1-6	18.5	975	37.8	36.0	34.7	27.4	91.7%	0.81	181.2	2.0	2.1	7.3	0.446	73	234
YE3-200L2-6	22	975	44.8	42.5	41.0	32.4	92.2%	0.81	215.5	2.0	2.1	7.4	0.557	73	275
YE3-225M-6	30	985	59.1	56.2	54.1	42.8	92.9%	0.83	290.9	2.0	2.1	6.9	0.832	74	332
YE3-250M-6	37	985	71.7	68.1	65.7	51.9	93.3%	0.84	358.7	2.0	2.1	7.1	1.45	76	422
YE3-280S-6	45	985	85.8	81.6	78.6	62.1	93.7%	0.85	436.3	2.0	2.0	7.3	2.25	78	536
YE3-280M-6	55	985	103.3	98.1	94.6	74.7	94.1%	0.86	533.2	2.0	2.0	7.3	2.73	78	590
YE3-315S-6	75	990	143.4	136.2	131.3	103.8	94.6%	0.84	723.5	2.0	2.0	6.6	3.98	83	848
YE3-315M-6	90	990	169.5	161.0	155.2	122.7	94.9%	0.85	868.2	2.0	2.0	6.7	4.50	83	942
YE3-315L1-6	110	990	206.8	196.4	189.3	149.7	95.1%	0.85	1061.1	2.0	2.0	6.7	5.61	83	980
YE3-315L2-6	132	990	244.5	232.2	223.8	176.9	95.4%	0.86	1273.3	2.0	2.0	6.8	6.93	83	1140
YE3-355M1-6	160	990	295.7	281.0	270.7	214.0	95.6%	0.86	1543.4	1.8	2.0	6.7	10.5	85	1790
YE3-355M-6	185	990	341.5	324.5	312.7	247.2	95.7%	0.86	1784.6	1.8	2.0	6.8	11.9	85	1680
YE3-355M2-6	200	990	364.6	346.4	333.8	263.9	95.8%	0.87	1929.3	1.8	2.0	6.8	12.9	85	1945
YE3-355L1-6	220	990	401.0	381.0	367.2	290.3	95.8%	0.87	2122.2	1.8	2.0	6.8	13.4	85	1810
YE3-355L2-6	250	990	455.7	433.0	417.3	330.0	95.8%	0.87	2411.6	1.8	2.0	6.8	13.9	85	1960
YE3-3551-6	280	990	510.4	485.0	467.4	369.5	95.8%	0.87	2701.0	1.8	2.0	6.8	14.3	91	2350
YE3-3552-6	315	990	581.0	551.9	532.0	420.5	95.8%	0.87	3038.6	1.8	2.0	6.8	14.8	91	2440

技术数据 Technical Data

8极 – 同步转速 750r/min 50HZ
8pole-750rpm synchronous speed 50HZ

型号 Motor Type	额定功率 Rated Output KW	额定转速 Rated Speed rpm	额定电流 IFL 380V A	额定电流 IFL 400V A	额定电流 IFL 415V A	额定电流 IFL 525V A	效率 EFF %	功率因数 Power Factor cosφ	额定转矩 Rated Torque N.m	堵转转矩 TST/TFL	最大转矩 TM/TFL	堵转电流 IST/IFL	转动惯量 M of I kgm2	噪音 Noise Level LW dB(A)	重量 Net Weight kg
YE3-100L1-8	0.75	695	2.3	2.2	2.1	1.6	75.0%	0.67	10.3	1.8	2.0	6.2	0.008	59	40
YE3-100L2-8	1.1	695	3.1	3.0	2.9	2.3	77.7%	0.69	15.1	1.8	2.0	6.2	0.010	59	42
YE3-112M-8	1.5	695	4.1	3.9	3.7	3.0	79.7%	0.70	20.6	1.8	2.0	6.7	0.017	61	45
YE3-132S-8	2.2	715	5.7	5.5	5.3	4.2	81.9%	0.71	29.4	1.8	2.0	6.7	0.031	64	60
YE3-132M-8	3	715	7.5	7.1	6.8	5.4	83.5%	0.73	40.1	1.8	2.0	6.9	0.040	64	70
YE3-160M1-8	4	725	9.8	9.3	9.0	7.1	84.8%	0.73	52.7	1.9	2.0	6.9	0.075	68	100
YE3-160L2-8	5.5	725	13.1	12.4	12.0	9.5	86.2%	0.74	72.4	1.9	2.0	6.9	0.093	68	120
YE3-160L-8	7.5	725	17.4	16.5	15.9	12.6	87.3%	0.75	98.8	1.9	2.0	6.6	0.126	68	130
YE3-180L-8	11	735	25.2	23.9	23.0	18.2	88.6%	0.75	142.9	2	2.0	6.6	0.203	70	190
YE3-200L-8	15	735	33.5	31.8	30.6	24.2	89.6%	0.76	194.9	2	2.0	6.8	0.339	73	230
YE3-225S-8	18.5	735	41.0	39.0	37.6	29.7	90.1%	0.76	240.4	1.9	2.0	6.8	0.491	73	270
YE3-225M-8	22	745	47.3	44.9	43.3	34.2	90.6%	0.78	282.0	1.9	2.0	7.0	0.547	73	300
YE3-250M-8	30	745	63.2	60.0	57.9	45.7	91.3%	0.79	384.6	1.9	2.0	6.7	0.830	75	390
YE3-280S-8	37	745	77.5	73.6	71.0	56.1	91.8%	0.79	474.3	1.9	2.0	6.7	1.390	76	510
YE3-280M-8	45	745	93.9	89.2	86.0	67.9	92.2%	0.79	576.8	1.9	2.0	6.7	1.650	76	560
YE3-315S-8	55	745	111.5	106.0	102.1	80.7	92.5%	0.81	705.0	1.8	2.0	6.8	4.790	82	770
YE3-315M-8	75	745	151.1	143.6	138.4	109.4	93.1%	0.81	961.4	1.8	2.0	6.3	5.580	82	1000
YE3-315L1-8	90	745	178.5	169.6	163.5	129.2	93.4%	0.82	1153.7	1.8	2.0	6.4	6.370	82	1060
YE3-315L2-8	110	745	217.5	206.6	199.2	157.4	93.7%	0.82	1410.1	1.8	2.0	6.4	7.230	82	1060
YE3-355M1-8	132	745	263.4	250.2	241.2	190.7	94.0%	0.82	1692.1	1.8	2.0	6.5	11.73	89	1680
YE3-355M-8	160	745	318.3	302.4	291.4	230.4	94.3%	0.82	2051.0	1.8	2.0	7.4	12.48	89	1760
YE3-355L1-8	185	745	368.0	349.6	337	266.4	94.3%	0.82	2371.5	1.8	2.0	6.6	12.86	89	1850
YE3-355L2-8	200	745	396.6	376.7	363.1	287	94.6%	0.82	2563.8	1.8	2.0	8.4	13.85	89	1990
YE3-3551-8	220	745	436.2	414.4	399.5	315.8	94.6%	0.83	2820.1	1.8	2.0	6.7	14.23	89	2380
YE3-3552-8	250	745	495.7	471	454	358.8	94.6%	0.83	3204.7	1.8	2.0	9.4	14.85	89	2430

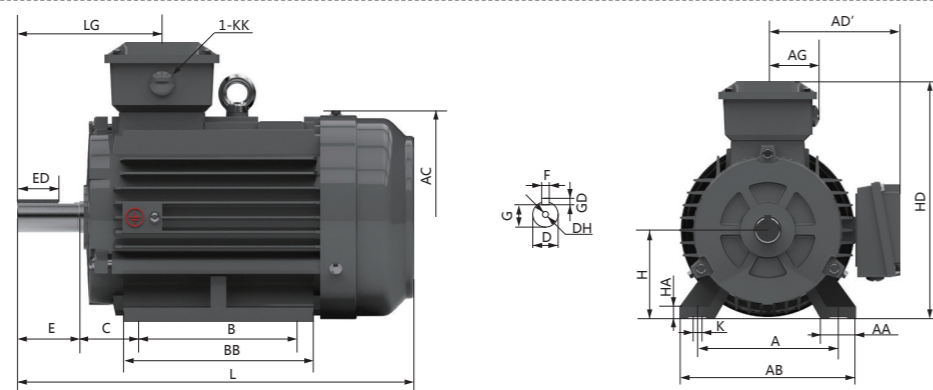
◆ B3 外形及安装尺寸 Dimensions Foot Mount B3

◆ B3 外形及安装尺寸 Dimensions Foot Mount B3

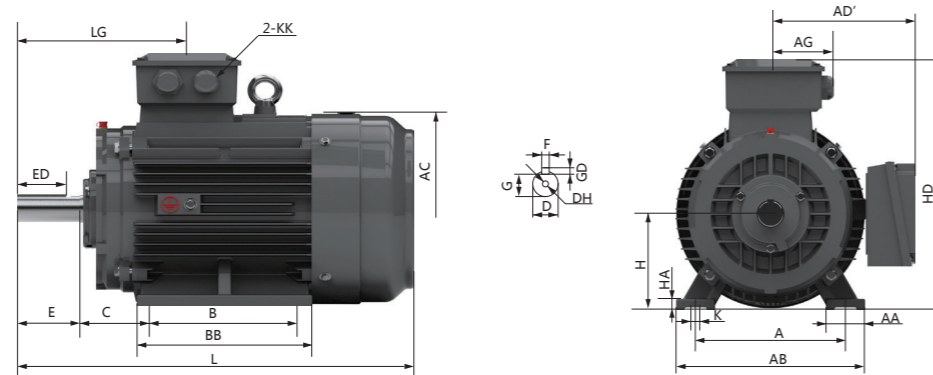
YE3

YE3

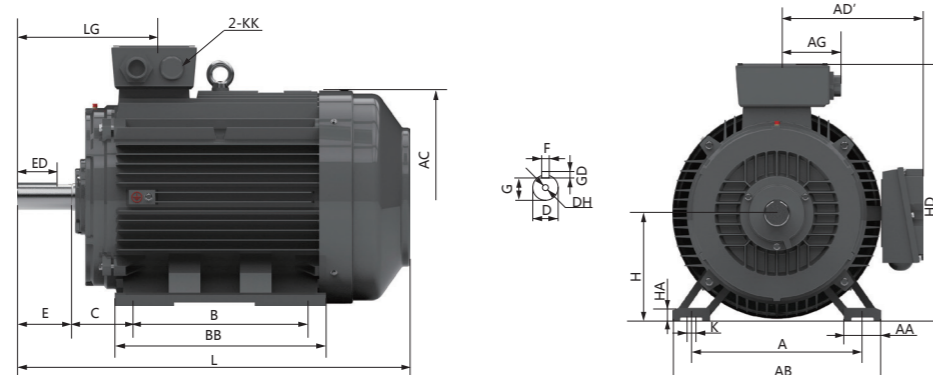
YE3-80~132



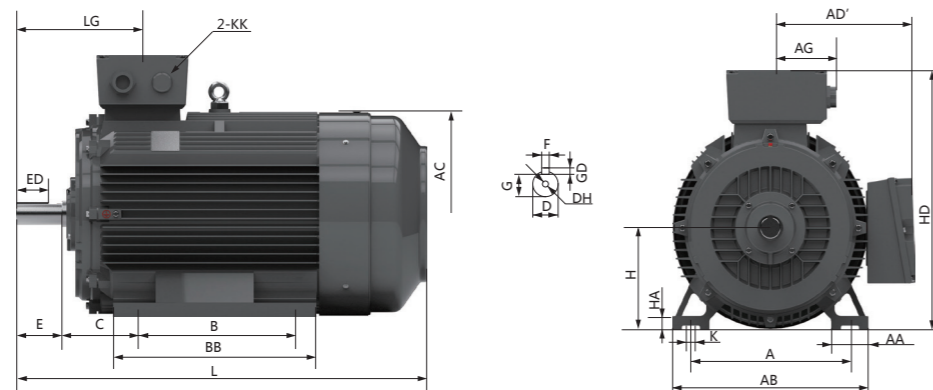
YE3-160~200



YE3-225~280



YE3-315~355



机座号 FRAME SIZE	极数 POLES	A	AA	AB	AC	AD'	AG	B	BB	C	D	DH*	E	ED	F	G	GD	H	HA	HD	K	KK	L*	LG
80M	2-8	125	34	165	175	145	51	100	142	50	19	M6X16	40	22	6	15.5	6	80	10	235	10	M24X1.5	301	115
90S	2-8	140	36	180	205	155	60	100	180	56	24	M8X19	50	32	8	20	7	90	12.5	260	10	M24X1.5	360	129
90L	2-8	140	36	180	205	155	60	125	210	56	24	M8X19	50	32	8	20	7	90	12.5	260	10	M24X1.5	390	129
100L	2-8	160	40	205	215	165	60	140	233	63	28	M10X22	60	40	8	24	7	100	14	275	12	M24X1.5	433.5	147
112M	2-8	190	45	230	236	185	75	140	252	70	28	M10X22	60	40	8	24	7	112	14	307	12	M30X2	461	144
132S	2-8	216	52	270	275	205	75	140	220	89	38	M12X28	80	56	10	33	8	132	16	347	12	M30X2	491.5	169
132M	2-8	216	52	270	275	205	75	178	258	89	38	M12X28	80	56	10	33	8	132	16	347	12	M30X2	529.5	169
160M	2-8	254	67	320	330	250	95	210	305	108	42	M16X36	110	80	12	37	8	160	19	425	14.5	M36X2	657.5	270
160L	2-8	254	67	320	330	250	95	254	325	108	42	M16X36	110	80	12	37	8	160	19	425	14.5	M36X2	679.5	270
180M	2-8	279	74	350	380	270	95	241	330	121	48	M16X36	110	80	14	42.5	9	180	22	460	14.5	M36X2	721	277
180L	2-8	279	74	350	380	270	95	279	370	121	48	M16X36	110	80	14	42.5	9	180	22	460	14.5	M36X2	769	277
200L	2-8	318	75	395	420	325	120	305	370	133	55	M20X42	110	80	16	49	10	200	25	515	18.5	M48X2	781	298
225S	4-8	356	80	436	465	335	120	286	355	149	60	M20X42	140	100	18	53	11	225	28	560	18.5	M48X2	831	340
225M	2	356	80	436	465	335	120	311	380	149	55	M20X42	110	80	16	49	10	225	28	560	18.5	M48X2	821	310
225M	4-8	356	80	436	465	335	120	311	380	149	60	M20X42	140	100	18	53	11	225	28	560	18.5	M48X2	856	340
250M	2	406	88	495	520	370	160	349	440	168	60	M20X42	140	100	18	53	11	250	33	620	24	M64X2	935	360
250M	4-8	406	88	495	520	370	160	349	440	168	65	M20X42	140	100	18	58	11	250	33	620	24	M64X2	941	360
280S	2	457	100	550	570	395	160	368	495	190	65	M20X42	140	100	18	58	11	280	35	685	24	M64X2	965	350
280S	4-8	457	100	550	570	395	160	368	495	190	75	M20X42	140	100	20	67.5	12	280	35	685	24	M64X2	969	350
280M	2	457	100	550	570	395	160	419	535	190	65	M20X42	140	100	18	58	11	280	35	685	24	M64X2	1005	350
280M	4-8	457	100	550	570	395	160	419	535	190	75	M20X42	140	100	20	67.5	12	280	35	685	24	M64X2	1009	350
315S	2	508	120	635	650	495	195	406	515	216	65	M20X42	140	100	18	58	11	315	45	820	28	M64X2	1145	387
315M	2	508	120	635	650	495	195	457	625	216	65	M20X42	140	100	18	58	11	315	45	820	28	M64X2	1255	387
315L	2	508	120	635	650	495	195	508	625	216	65	M20X42	140	100	18	58	11	315	45	820	28	M64X2	1255	387
315S	4-8	508	120	635	650	495	195	406	515	216	80	M20X42	170	130	22	71	14	315	45	820	28	M64X2	1196	417
315M	4-8	508	120	635	650	495	195	457	625	216	80	M20X42	170	130	22	71	14	315	45	820	28	M64X2	1306	417
315L	4-8	508	120	635	650	495	195	508	625	216	80	M20X42	170	130	22	71	14	315	45	820	28	M64X2	1306	417
355M	2	610	125	735	735	640	260	560	775	254	75	M24X50	140	110	20	67.5	12	355	49	1000	28	M72X2	1490	415
355L	2	610	125	735	735	640	260	630	775	254	75	M24X50	140	110	20	67.5	12	355	49	1000	28	M72X2	1490	415
355M	4-8	610	125	735	735	640	260	560	775	254	95	M24X50	170	140	25	86	14	355	49	1000	28	M72X2	1520	445
355L	4-8	610	125	735	735	640	260	630	775	254	95	M24X50	170	140	25	86	14	355	49	1000	28	M72X2	1520	445
355L	2	610	125	735	735	640	260	630	875	254	75	M24X50	140	110	20	67.5	12	355	49	1000	28	M72X2	1590	415
355L	4-8	610	125	735	735	640	260	630	875	254	95	M24X50	170	140	25	86	14	355	49	1000	28	M72X2	1620	445

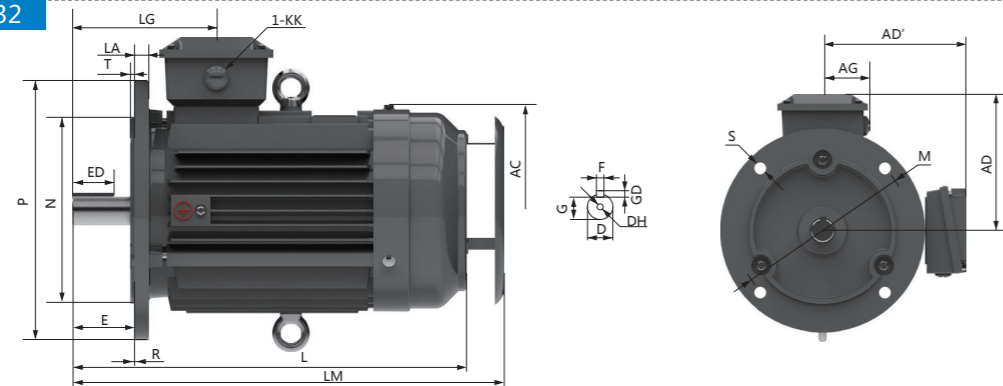
注：
1、图中 DH 默认为不带螺纹的中心孔，可根据需要加工成螺纹孔。
The 'DH' defaults to a non-threaded center hole and it can be machined into a threaded hole as required
2、80-132 机座号的 L 尺寸公差 +5,160-355 机座号的 L 尺寸公差 +8。
The dimension of 'L' with tolerance +5 for frame 80-132,tolerance +8 for frame 160-355.
3、因 355 机座号功率较多，安装尺寸不同，订货时请另询外形图
Due to the motors with frame size 355 have various powers,the installation size is different, please consult the external outline drawing when ordering.

◆ B5&V1 外形及安装尺寸 Dimensions Flange Mount B5&V1

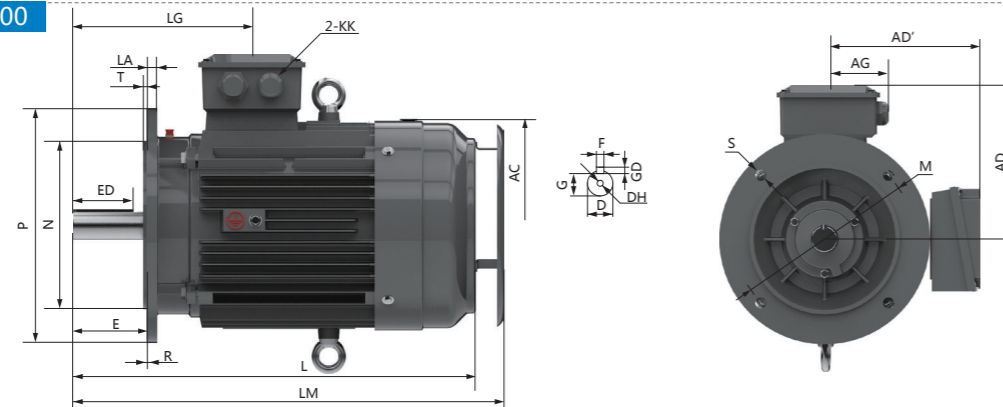
◆ B5&V1 外形及安装尺寸 Dimensions Flange Mount B5&V1

YE3

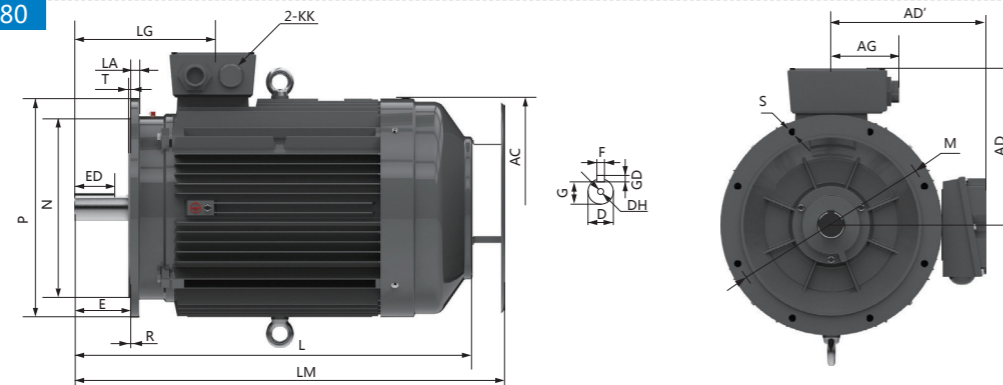
YE3-80~132



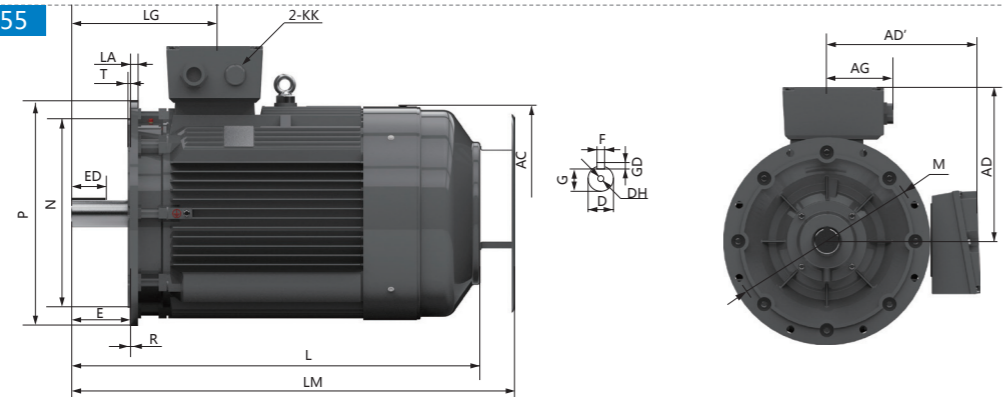
YE3-160~200



YE3-225~280



YE3-315~355



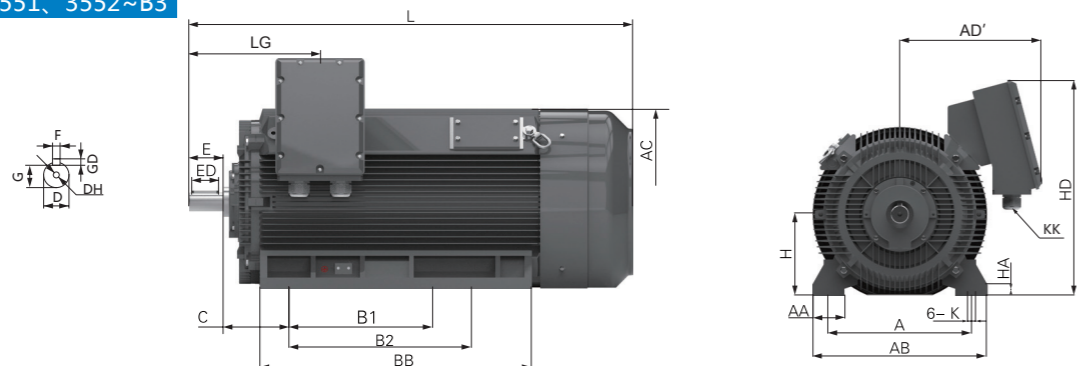
YE3

机座号 FRAME SIZE	极数 POLES	AC	D	AD	AD'	AG	DH	E	ED	F	G	GD	LA	LG	M	N	P	S	T	KK	L	LM
80M	2-8	175	19	155	145	51	M6X16	40	22	6	15.5	6	14	115	165	130	200	12	3.5	M24X1.5	301	-
90S	2-8	205	24	170	155	60	M8X19	50	32	8	20	7	12	129	165	130	200	12	3.5	M24X1.5	360	-
90L	2-8	205	24	170	155	60	M8X19	50	32	8	20	7	12	129	165	130	200	12	3.5	M24X1.5	390	-
100L	2-8	215	28	175	165	60	M10X22	60	40	8	24	7	14	147	215	180	250	14.5	4	M24X1.5	433.5	-
112M	2-8	236	28	195	185	75	M10X22	60	40	8	24	7	12	144	215	180	250	14.5	4	M30X2	461	-
132S	2-8	275	38	215	205	75	M12X28	80	56	10	33	8	14	169	265	230	300	14.5	4	M30X2	491.5	-
132M	2-8	275	38	215	205	75	M12X28	80	56	10	33	8	14	169	265	230	300	14.5	4	M30X2	529.5	-
160M	2-8	330	42	265	250	95	M16X36	110	80	12	37	8	15	270	300	250	350	18.5	5	M36X2	657.5	702.5
160L	2-8	330	42	265	250	95	M16X36	110	80	12	37	8	15	270	300	250	350	18.5	5	M36X2	679.5	724.5
180M	2-8	380	48	280	270	95	M16X36	110	80	14	42.5	9	15	277	300	250	350	18.5	5	M36X2	721	766
180L	2-8	380	48	280	270	95	M16X36	110	80	14	42.5	9	15	277	300	250	350	18.5	5	M36X2	769	814
200L	2-8	420	55	315	325	120	M20X42	110	80	16	49	10	17	300	350	300	400	18.5	5	M48X2	781	856
225S	4-8	465	60	335	335	120	M20X42	140	100	18	53	11	19	340	400	350	450	18.5	5	M48X2	831	906
225M	2	465	55	335	335	120	M20X42	110	80	16	49	10	19	310	400	350	450	18.5	5	M48X2	821	896
225M	4-8	465	60	335	335	120	M20X42	140	100	18	53	11	19	340	400	350	450	18.5	5	M48X2	856	931
250M	2	520	60	375	370	160	M20X42	140	100	18	53	11	20	360	500	450	550	18.5	5	M64X2	935	1010
250M	4-8	520	65	375	370	160	M20X42	140	100	18	58	11	20	360	500	450	550	18.5	5	M64X2	941	1016
280S	2	570	65	395	400	160	M20X42	140	100	18	58	11	22	350	500	450	550	18.5	5	M64X2	965	1050
280S	4-8	570	75	395	400	160	M20X42	140	100	20	67.5	12	22	350	500	450	550	18.5	5	M64X2	969	1054
280M	2	570	65	395	400	160	M20X42	140	100	18	58	11	22	350	500	450	550	18.5	5	M64X2	1005	1090
280M	4-8	570	75	395	400	160	M20X42	140	100	20	67.5	12	22	350	500	450	550	18.5	5	M64X2	1009	1094
315S	2	650	65	500	495	195	M20X42	140	100	18	58	11	24	387	600	550	660	24	6	M64X2	1145	1230
315M	2	650	65	500	495	195	M20X42	140	100	18	58	11	24	387	600	550	660	24	6	M64X2	1255	1340
315L	2	650	65	500	495	195	M20X42	140	100	18	58	11	24	387	600	550	660	24	6	M64X2	1255	1340
315S	4-8	650	80	500	495	195	M20X42	170	130	22	71	14	24	417	600	550	660	24	6	M64X2	1196	1281
315M	4-8	650	80	500	495	195	M20X42	170	130	22	71	14	24	417	600	550	660	24	6	M64X2	1306	1391
315L	4-8	650	80	500	495	195	M20X42	170	130	22	71	14	24	417	600	550	660	24	6	M64X2	1306	1391
355M(V1)	2	735	75	640	645	260	M24X50	140	110	20	67.5	12	25	415	740	680	800	24	6	M72X2	1490	1590
355L(V1)	2	735	75	640	645	260	M24X50	140	110	20	67.5	12	25	415	740	680	800	24	6	M72X2	1490	1590
355M(V1)	4-8	735	95	640	645	260	M24X50	170	140	25	86	14	25	445	740	680	800	24	6	M72X2	1520	1620
355L(V1)	4-8	735	95	640	645	260	M24X50	170	140	25	86	14	25	445	740	680	800	24	6	M72X2	1520	1620
355L	2	735	75	640	645	260	M24X50	140	110	20	67.5	12	25	415	740	680	800	24	6	M72X2	1590	1690
355L	4-8	735	95	640	645	260	M24X50	170	140	25	86	14	25	445	740	680	800	24	6	M72X2	1620	1720

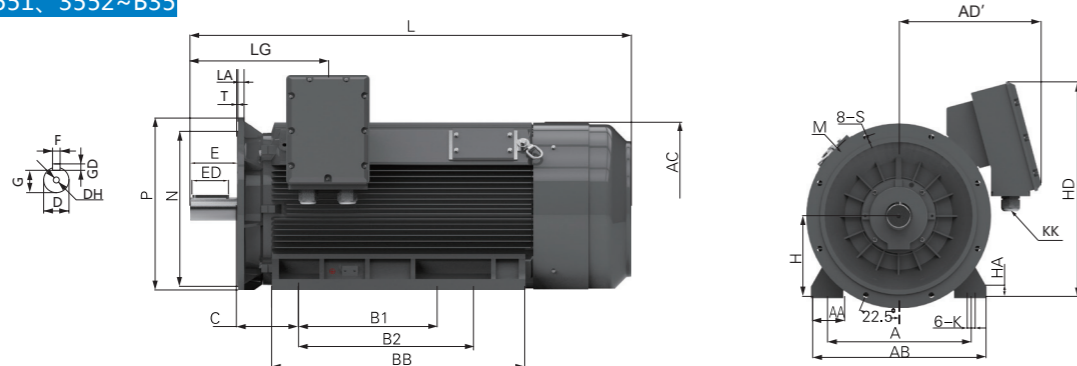
注：
1、图中R尺寸值均为0。The 'R' dimensions is zero.
2、图中DH默认为不带螺纹的中心孔，可根据需要加工成螺纹孔。
The 'DH' defaults to a non-threaded center hole and it can be machined into a threaded hole as required.
3、80-132机座号的L和LM尺寸公差+5,160-355机座号的L和LM尺寸公差+8
The dimension of 'L' and 'LM' with tolerance +5 for frame 80-132,tolerance +8 for frame 160-355.
4、因355机座号功率较多，安装尺寸不同，订货时请另询外形图
Due to the motors with frame size 355 have various powers,the installation size is different, please consult the external outline drawing when ordering.

3551、3552 外形及安装尺寸 Mounting Dimensions 3551、3552

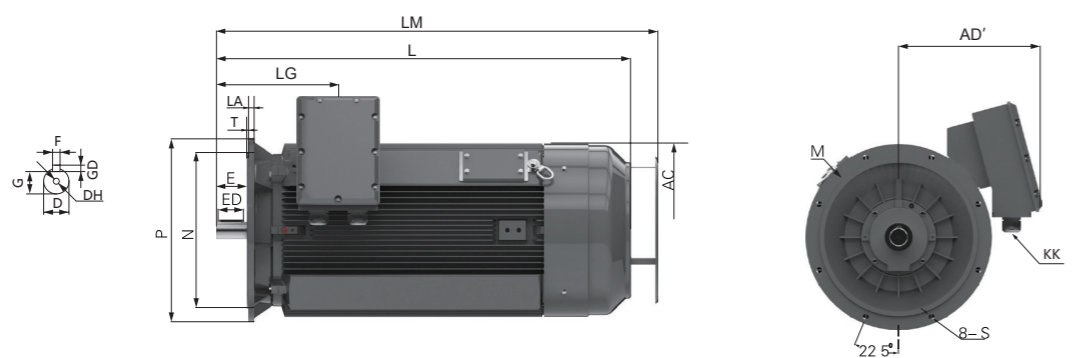
YE3-3551、3552~B3



YE3-3551、3552~B35



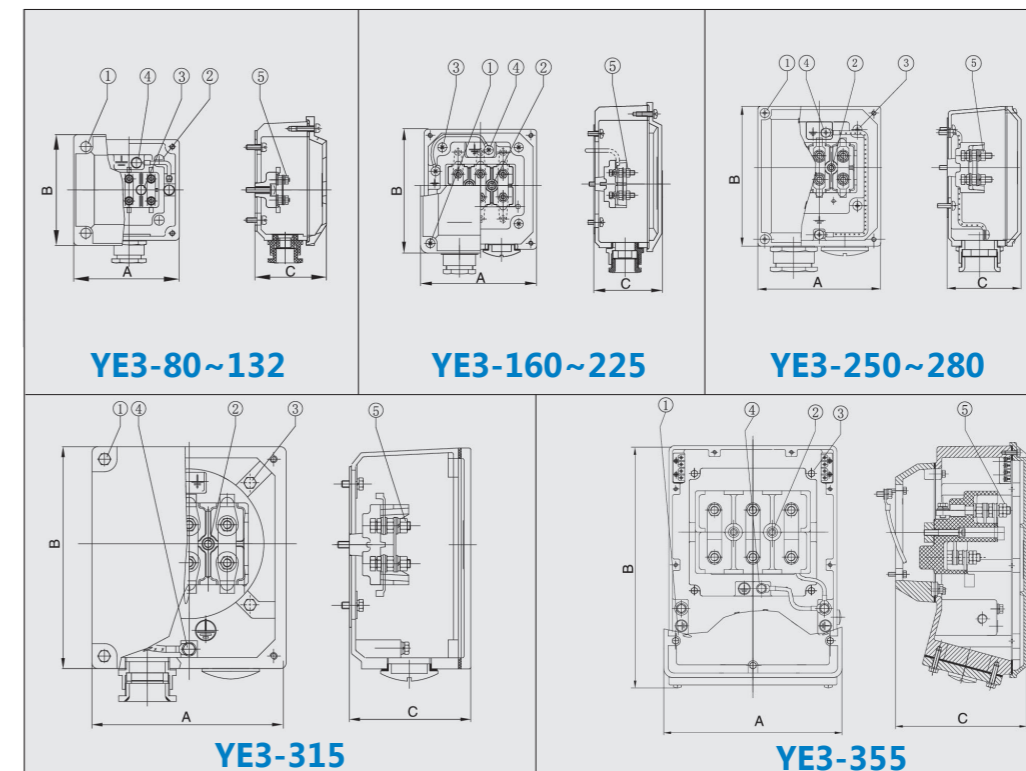
YE3-3551、3552~V1



机座号 FRAME SIZE	极数 POLES	A	AA	AB	AC	AD'	B1	B2	BB	C	D	DH	E	ED	F	G	GD	H	HA	HD	K	LA	L	LM	LG	M	N	P	S	T	KK
3551、3552	2	630	140	760	760	630	630	800	1110	224	80	M20X42	170	140	22	71	14	355	49	950	35	28	1850	1950	545	840	780	900	24	6	M72*2
3551、3552	4-8	630	140	760	760	630	630	800	1110	224	110	M24X50	210	160	28	100	16	355	49	950	35	28	1940	2040	585	840	780	900	24	6	M72*2

注：
1、图中 DH 默认为不带螺纹的中心孔，可根据需要加工成螺纹孔。
The 'DH' defaults to a non-threaded center hole and it can be machined into a threaded hole as required.
2、图中 L 和 LM 尺寸公差 +8。
The dimension of 'L' and 'LM' with tolerance +-8.

上出线接线盒 Top Terminal Box

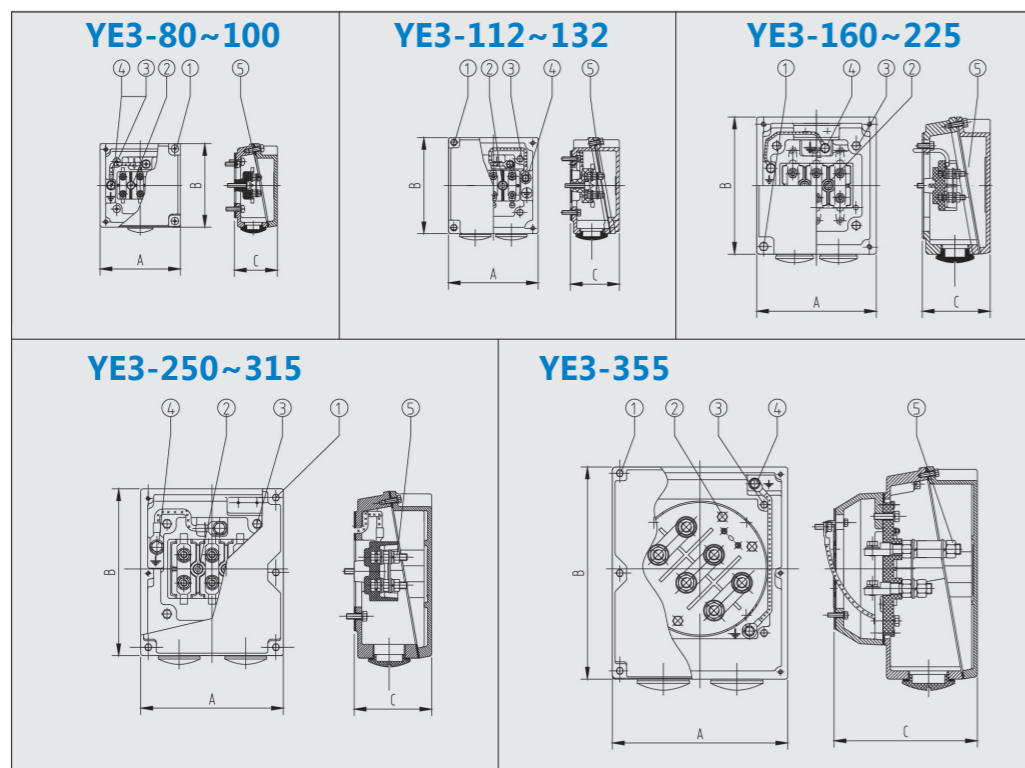


机座号 Frame	A	B	C	1	2	3	4	5	螺纹尺寸 Gland Size	出线孔直径 Outlet(dia.)
YE3-80	105	105	65	M5X16	M5X25	M5X16	M5X12	M4	M24X1.5	Φ11
YE3-90 ~ 100	113	113	72	M5X16	M5X25	M5X16	M5X12	M4	M24X1.5	Φ11
YE3-112 ~ 132	121	129	80	M5X16	M5X25	M5X20	M5X16	M5	2XM30X2	2XΦ15
YE3-160 ~ 180	163	173	92	M6X16	M6X25	M6X16	M6X12	M6	2XM36X2	2XΦ25
YE3-200 ~ 225	188	208	107	M8x25	M8x35	M8x25	M8x16	M8	2XM48x2	2XΦ36
YE3-250 ~ 280	217	246	120	M8x25	M8x35	M8x25	M8x16	M10	2XM64x2	2XΦ51
YE3-315	280	320	165	M10x25	M10x45	M10x30	M10x20	M12	2XM64x2	2XΦ51
YE3-355	350	475	285	M12X30	M12X80	M12X30	M10X25	M20	2XM72X2	2XΦ52

适用于 YE2/YE3 系列

侧出线接线盒 Side Terminal Box

YE3



机座号 Frame	A	B	C	1	2	3	4	5	螺纹尺寸 Gland Size	出线孔直径 Outlet(dia.)
YE3-80	95	95	56	M5X16	M5X25	M5X16	M5X12	M4	M24X1.5	Φ11
YE3-90 ~ 100	105	109	56	M5X16	M5X25	M5X16	M5X12	M4	M24X1.5	Φ11
YE3-112 ~ 132	117	125	65	M5X16	M5X25	M5X20	M5X16	M5	2XM30X2	2XΦ15
YE3-160 ~ 180	155	177	87	M6X16	M6X25	M6X16	M6X12	M6	2XM36X2	2XΦ25
YE3-200 ~ 225	176	212	107	M6X20	M8X35	M8X20	M8X16	M8	2XM48X2	2XΦ36
YE3-250 ~ 280	212	248	115	M6X20	M8X35	M8X30	M8x16	M10	2XM64x2	2XΦ51
YE3-315	276	332	164	M8x25	M10x45	M10x30	M10x20	M12	2XM64x2	2XΦ51
YE3-355	340	410	275	M8X30	M12X40	M12X30	M10X25	M20	2XM72X2	2XΦ52

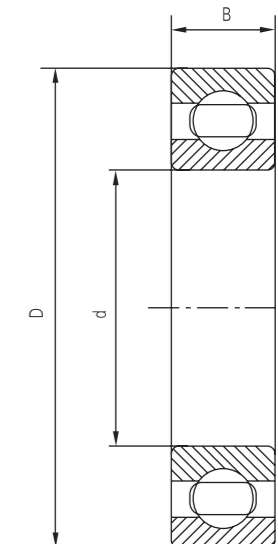
适用于 YE2/YE3 系列

轴承、密封 Bearing、Seal

轴承数据

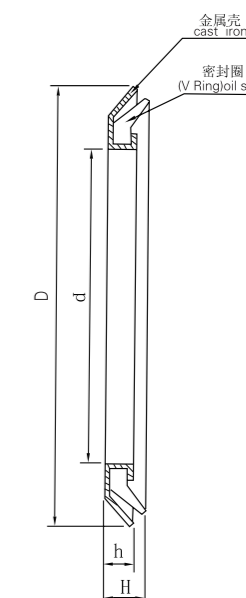
电机型号 Motor Type	轴伸端 DE	非轴伸端 NDE	d	D	B
YE3-80	6204ZZ	6204ZZ	20	47	14
YE3-90	6205ZZ	6205ZZ	25	52	15
YE3-100	6206ZZ	6206ZZ	30	62	16
YE3-112	6306ZZ	6306ZZ	30	72	19
YE3-132	6308ZZ	6308ZZ	40	90	23
YE3-160	6309	6309	45	100	25
YE3-180	6311	6311	55	120	29
YE3-200	6312	6312	60	130	31
YE3-225	6313	6313	65	140	33
YE3-250	6314	6314	70	150	35
YE3-280 2P	6314	6314	70	150	35
YE3-280 4-6P	6317	6317	85	180	41
YE3-315 2P	6316	6316	80	170	39
YE3-315 4-6P	6319	6319	95	200	45
YE3-355(2P) (B3,B35)	6319	6319	95	200	45
YE3-355(2P)V1	6319	7319	95	200	45
YE3-355(4-8P) (B3,B35)	6322	6322	110	240	50
YE3-355(4-8P)V1	6322	7322	110	240	50
YE3-3551、3552(2P) (B3,B35)	6319/C3	6319/C3	95	200	45
YE3-3551、3552(4-8P) (B3,B35)	NU324	6324	120	260	55
YE3-3551、3552(2P) V1	6319C3	7319	95	200	45
YE3-3551、3552(4-8P) V1	NU324	7324	110	260	55

轴承数据
bearing data



轴面油封数据

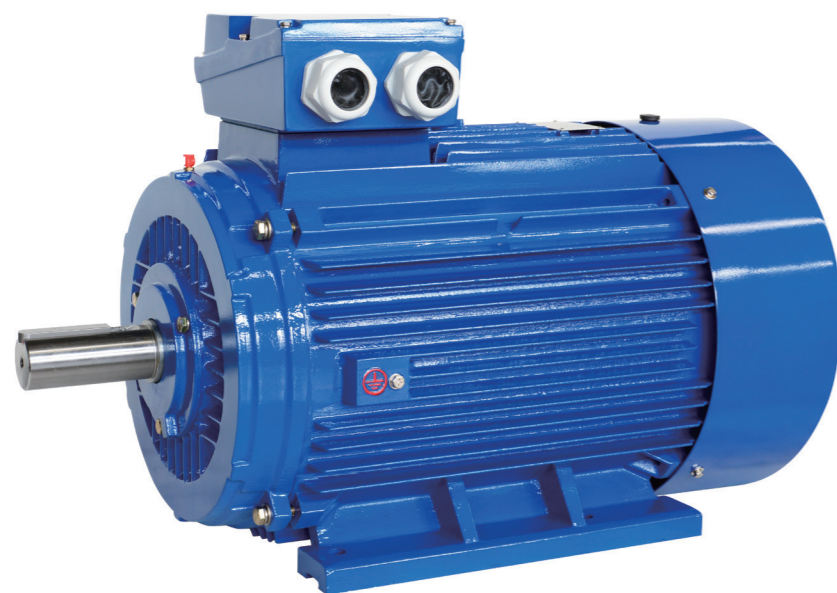
电机型号 Motor Type	油封规格 Oil Seal Size	d	D	h	H
YE3-80	RB20x35x4.0	Φ20	Φ35	3	6
YE3-90	RB25x40x4.0	Φ25	Φ40	3	6
YE3-100	RB30x47x4.5	Φ30	Φ47	3.5	6.5
YE3-112	RB30x47x4.5	Φ30	Φ47	3.5	6.5
YE3-132	RB40x57x4.5	Φ40	Φ57	3.5	6.5
YE3-160	RB45x62x4.5	Φ45	Φ62	3.5	6.5
YE3-180	RB55x75x5.5	Φ55	Φ75	4.5	6.5
YE3-200	RB60x80x5.5	Φ60	Φ80	4.5	6.5
YE3-225	RB65x85x5.5	Φ65	Φ85	4.5	8
YE3-250	RB70x90x5.5	Φ70	Φ90	4.5	8
YE3-280-2	RB70x90x5.5	Φ70	Φ90	4.5	8
YE3-280-4.6.8	RB85x105x5.5	Φ85	Φ105	4.5	8
YE3-315-2	RB80x100x5.5	Φ80	Φ100	4.5	8
YE3-315-4.6.8	RB95x115x5.5	Φ95	Φ115	4.5	8



YE3

YE4 系列三相异步电动机

YE4 Series Three-phase Asynchronous Motor



产品概述 Product Introduction

YE4 系列三相异步电动机符合 GB 18613-2012 《中小型三相异步电动机能效限定值及能效等级》中规定的一级效率标准。同时，符合 IEC 60034-30-1: 2014 标准的 IE4 能效等级。

其提高效率设计，符合国家对生产制造行业提出节能降耗的要求。

YE4 系列电机的安装尺寸符合 IEC 60034 标准。具有结构合理，外形美观，效率高，噪音低，防护等级、绝缘等级高等优点，可广泛应用于风机、水泵、机床、压缩机和运输机械等驱动各种通用机械设备，也可在石油、化工、钢铁、矿山等其它环境比较恶劣的场所使用。

YE4 series three-phase asynchronous motor is in line with the first efficiency standard in the provisions of GB18613-2012 "Minimum allowable values of energy efficiency and energy efficiency grades for small and medium three-phase asynchronous motors". Meanwhile, IE4 efficiency standard is also be satisfied in the provisions of IEC 60034-30-1:2014.

Improvement on design of efficiency is in line with the state's requirements on the energy saving and consumption reducing of the manufacturing sector.

YE4 series motors with the mounting dimension in accordance with standard IEC 60034, it has good features like, optimum structure, attractive appearance, low noise, high efficiency, high protection class as well as high insulation class. YE4 series motors can be widely used in various kinds of general use machineries like fans, pumps, machine tools, compressors, transportation and so on, and can also be used in the hazardous areas with oil and chemical, steel plants, mining industry.

详细说明 Specification

◆现场条件

YE4 系列电动机可适用于大多数的场合及环境。电动机标准工作条件为 -15° C 到 +40° C，海拔不超过 1000 米。

◆温升和绝缘

电动机按 155 (F) 级绝缘设计，按 B 级绝缘考核 (80K)，电动机的使用寿命和可靠性得到保证。

◆冷却和通风

标准冷却方式为全封闭自扇冷 (TEFC)。标准电机装有轴流式塑料风扇。符合 IEC 60034-6 中 IC41 1 的规定。

◆防护等级

电动机的防护等级为 IP55, 可用于含尘或潮湿环境。也可根据客户要求提供更高防护等级的电动机。

◆电机保护

可根据要求安装 PTC、PT100 等绕组和轴承测温及保护装置。

◆电压、频率

标准电机为 380V/50HZ 可设计 200-660V 范围内任意电压的 50Hz 的电动机。在供电电压偏离额定电压 ±5% 的情况下，仍能良好运行。

◆质量保证

从产品设计到产品出厂，遵循 IS 9000 1 质量认证体系，严格遵守质量程序。

◆ Site conditions

YE4 series motors are suitable for almost all applications and operate satisfactorily at temperature from -15° C to +40° C and the altitude is not more than 1000 meters.

◆ Temperature and insulation

155(F) class insulation system and temperature rise class B (80K) are adopted to the motor, which increase the motor useful life and reliability.

◆ Cooling and ventilation

The standard cooling method is totally Enclosed Fan Cooled (TEFC) in accordance with IC411 of IEC 60034-6. Standard motors are equipped with centrifuge plastic fans.

◆ Protection class

The standard protection degree of motor is IP55, which make moist and dusty condition is also allowable. Higher degree of protection is also available according to customer's requirement.

◆ Motor protection

The protection and measurement equipment to Winding and bearing such as PTC, PT100 are available on request.

◆ Voltage and frequency

Standard voltage and frequency is 380V/ 50HZ, 200-660V special value on voltage and frequency is available on request. The motors will operate satisfactorily with variations of ±5% from the rated voltage.

◆ Quality assurance

Stringent quality procedures are observed from first design to finished products in accordance with ISO9001 documented quality systems.

技术数据 Technical Data

6极 – 同步转速 1000r/min 50HZ
6pole-1000rpm synchronous speed 50HZ

型号 Motor Type	额定功率 Rated Output KW	额定转速 Rated Speed rpm	额定电流 IFL 380V A	额定电流 IFL 400V A	额定电流 IFL 415V A	额定电流 IFL 525V A	效率 EFF %	功率因数 Power Factor cosφ	额定转矩 Rated Torque N.m	堵转转矩	最大转矩	堵转电流	转动惯量 M of I kgm ²	噪音 Noise Level LW dB(A)	重量 Net Weight kg
										额定转矩 TST/TFL	额定转矩 TM/TFL	额定电流 IST/IFL			
YE4-90S-6	0.75	935	2.0	1.9	1.8	1.4	83.1%	0.70	7.7	2	2.1	5.8	0.004	57	25
YE4-90L-6	1.1	940	2.8	2.7	2.6	2.1	84.1%	0.70	11.2	2	2.1	5.9	0.006	57	30
YE4-100L-6	1.5	945	3.7	3.5	3.4	2.7	86.2%	0.71	15.2	2	2.1	5.9	0.016	61	40
YE4-112M-6	2.2	950	5.4	5.1	4.9	3.9	87.1%	0.71	22.1	2	2.1	6.2	0.039	65	46
YE4-132S-6	3	960	7.2	6.9	6.6	5.2	88.7%	0.71	29.8	2	2.1	6.4	0.035	69	83
YE4-132M1-6	4	960	9.4	8.9	8.6	6.8	89.7%	0.72	39.8	2	2.1	6.6	0.043	69	95
YE4-132M2-6	5.5	960	13.0	12.3	11.9	9.4	89.5%	0.72	54.7	2	2.1	6.8	0.056	69	110
YE4-160M-6	7.5	970	16.2	15.4	14.8	11.7	90.2%	0.78	73.8	2	2.1	6.8	0.140	73	146
YE4-160L-6	11	970	23.1	22.0	21.2	16.7	91.5%	0.79	108.3	2	2.1	6.9	0.192	73	168
YE4-180L-6	15	975	30.8	29.3	28.2	22.3	92.5%	0.80	146.9	2	2.1	7.3	0.319	73	204
YE4-200L1-6	18.5	975	37.7	35.9	34.6	27.3	93.1%	0.80	181.2	2	2.1	7.2	0.446	73	308
YE4-200L2-6	22	975	43.9	41.8	40.2	31.8	93.9%	0.81	215.5	2	2.1	7.3	0.557	73	326
YE4-225M-6	30	985	58.9	56.0	54.0	42.7	94.3%	0.82	290.9	2	2.1	6.8	0.832	74	397
YE4-250M-6	37	985	71.6	68.0	65.6	51.8	94.6%	0.83	358.7	2	2.1	7	1.447	76	477
YE4-280S-6	45	985	84.8	80.5	77.6	61.4	94.9%	0.85	436.3	2	2.0	7.2	2.252	78	702
YE4-280M-6	55	985	102.1	97.0	93.5	73.9	95.2%	0.86	533.2	2	2.0	7.2	2.726	78	763
YE4-315S-6	75	990	142.2	135.1	130.2	102.9	95.4%	0.84	723.5	2	2.0	6.5	3.984	83	1265
YE4-315M-6	90	990	168.3	159.9	154.1	121.8	95.6%	0.85	868.2	2	2.0	6.6	4.500	83	1334
YE4-315L1-6	110	990	205.7	195.4	188.3	148.9	95.6%	0.85	1061.1	2	2.0	6.6	5.607	83	1465
YE4-315L2-6	132	990	243.4	231.3	222.9	176.2	95.8%	0.86	1273.3	2	2.0	6.7	6.935	83	1525
YE4-355M1-6	160	990	294.5	279.7	269.6	213.1	96.0%	0.86	1543.4	1.8	2	6.8	11.9	85	1680
YE4-355M-6	185	990	340.1	323.1	311.4	246.2	96.1%	0.86	1784.6	1.8	2	6.8	12.9	85	1730
YE4-355M2-6	200	990	367.7	349.3	336.7	266.1	96.1%	0.86	1929.3	1.8	2	6.8	13.4	85	1810
YE4-355L1-6	220	990	404.5	384.2	370.3	292.7	96.1%	0.86	2122.2	1.8	2	6.8	13.9	85	1960
YE4-355L2-6	250	990	459.6	436.6	420.8	332.7	96.1%	0.86	2411.6	1.8	2	6.8	14.3	85	2250
YE4-3551-6	280	990	514.8	489.0	471.3	372.6	96.1%	0.86	2701.0	1.8	2	6.8	14.8	91	2440
YE4-3552-6	315	990	592.9	563.2	542.9	429.1	96.1%	0.86	3038.6	1.8	2	6.8	15.2	91	2490

技术数据 Technical Data

8极 – 同步转速 750r/min 50HZ
8pole-750rpm synchronous speed 50HZ

型号 Motor Type	额定功率 Rated Output KW	额定转速 Rated Speed rpm	额定电流 IFL 380V A	额定电流 IFL 400V A	额定电流 IFL 415V A	额定电流 IFL 525V A	效率 EFF %	功率因数 Power Factor cosφ	额定转矩 Rated Torque N.m	堵转转矩	最大转矩	堵转电流	转动惯量 M of I kgm ²	噪音 Noise Level LW dB(A)	重量 Net Weight kg
										额定转矩 TST/TFL	额定转矩 TM/TFL	额定电流 IST/IFL			
YE4-100L1-8	0.75	690	2.2	2.1	2	1.6	78.40%	0.66	10.4	2	2	7	0.008	59	45
YE4-100L2-8	1.1	690	3.1	2.9	2.8	2.2	80.80%	0.67	15.2	2	2	7	0.01	59	47
YE4-112M-8	1.5	690	4	3.8	3.7	2.9	82.60%	0.69	20.8	2	2	7	0.017	61	50
YE4-132S-8	2.2	710	5.7	5.4	5.2	4.1	84.50%	0.7	29.6	1.8	2	7.5	0.031	64	65
YE4-132M-8	3	710	7.6	7.2	6.9	5.5	85.90%	0.7	40.4	1.8	2	7.8	0.04	64	75
YE4-160M1-8	4	720	9.8	9.3	9	7.1	87.10%	0.71	53.1	1.8	2	7.9	0.075	68	105
YE4-160M2-8	5.5	720	13.1	12.5	12	9.5	88.30%	0.72	73.0	1.8	2	8.1	0.093	68	125
YE4-160L-8	7.5	720	17.2	16.4	15.8	12.5	89.30%	0.74	99.5	1.8	2	7.8	0.126	68	135
YE4-180L-8	11	730	25	23.7	22.9	18.1	90.40%	0.74	143.9	1.8	2	7.9	0.203	70	200
YE4-200L-8	15	730	33.3	31.7	30.5	24.1	91.20%	0.75	196.2	1.8	2	8	0.339	73	240
YE4-225S-8	18.5	730	40.9	38.8	37.4	29.6	91.70%	0.75	242.0	1.8	2	8.1	0.491	73	280
YE4-225M-8	22	740	47.8	45.4	43.7	34.6	92.10%	0.76	283.9	1.8	2	8.3	0.547	73	310
YE4-250M-8	30	740	63.9	60.7	58.5	46.2	92.70%	0.77	387.2	1.8	2	7.9	0.83	75	400
YE4-280S-8	37	740	77.4	73.5	70.9	56	93.10%	0.78	477.5	1.8	2	7.9	1.4	76	530
YE4-280M-8	45	740	93.9	89.2	85.9	67.9	93.40%	0.78	580.7	1.8	2	7.9	1.65	76	590
YE4-315S-8	55	740	111.5	105.9	102.1	80.7	93.70%	0.8	709.8	1.6	2	8.2	4.8	82	790
YE4-315M-8	75	740	151.2	143.7	138.5	109.4	94.20%	0.8	967.9	1.6	2	7.6	5.6	82	1100
YE4-315L1-8	90	740	178.8	169.9	163.8	129.4	94.40%	0.81	1161.5	1.6	2	7.7	6.4	82	1160
YE4-315L2-8	110	740	217.9	207	199.5	157.7	94.70%	0.81	1419.6	1.6	2	7.7	7.3	82	1260
YE4-355M1-8	132	740	261.0	247.9	239	188.8	94.9%	0.81	1703.5	1.6	2	7.7	12.5	89	1760
YE4-355M-8	160	740	315.6	300	289	228.4	95.1%	0.82	2064.9	1.6	2	7.7	12.9	89	1850
YE4-355L1-8	185	740	363.8	345.6	333	263.3	95.4%	0.82	2387.5	1.6	2	7.8	13.9	89	1990
YE4-355L2-8	200	740	393.2	373.6	360	284.6	95.4%	0.82	2581.1	1.6	2	7.8	14.2	89	2380
YE4-3551-8	220	740	432.6	411	396	313	95.4%	0.82	2839.2	1.6	2	7.8	14.9	89	2430
YE4-3552-8	250	740	491.6	467	450	355.8	95.4%	0.82	3226.4	1.6	2	7.8	15.3	89	2496

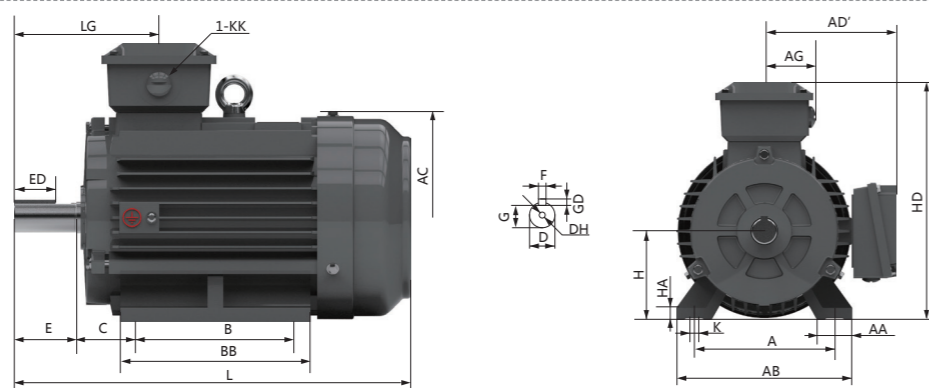
◆ B3 外形及安装尺寸 Dimensions Foot Mount B3

◆ B3 外形及安装尺寸 Dimensions Foot Mount B3

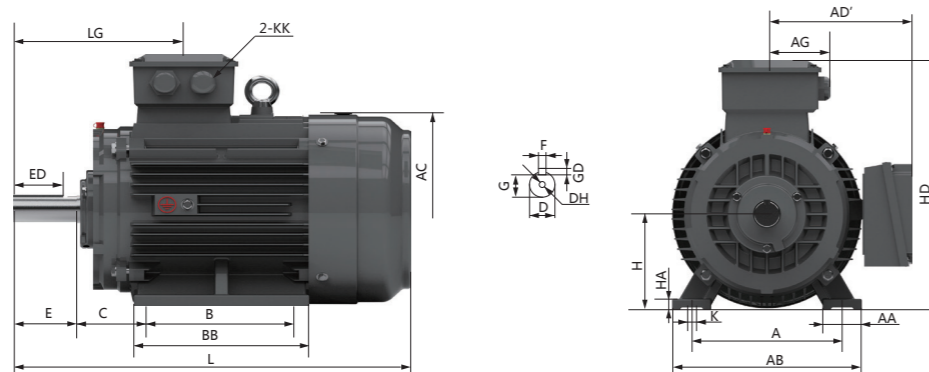
YE4

YE4

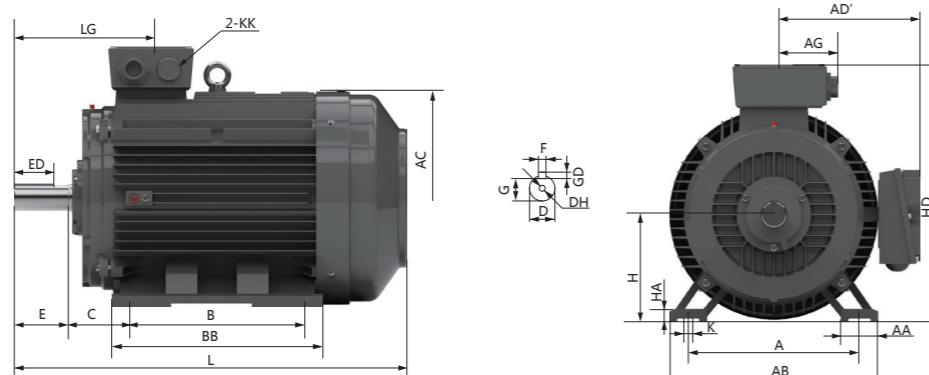
YE4-80~132



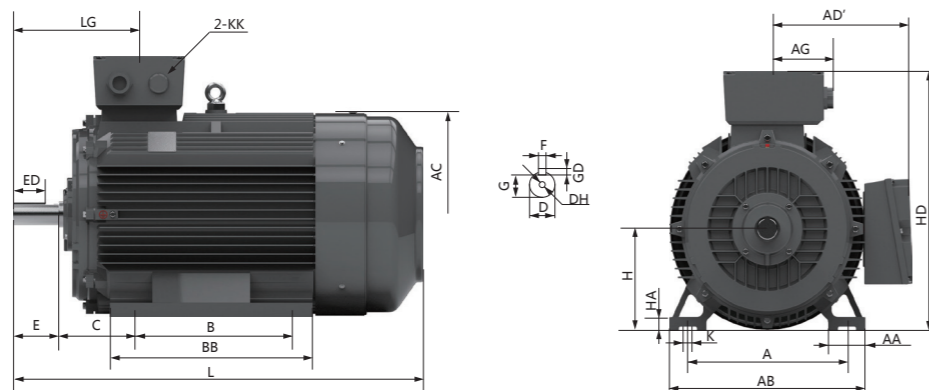
YE4-160~200



YE4-225~280



YE4-315~355



机座号 FRAME SIZE	极数 POLES	A	AA	AB	AC	AD'	AG	B	BB	C	D	DH*	E	ED	F	G	GD	H	HA	HD	K	KK	L*	LG
80M	2-8	125	34	165	175	145	51	100	142	50	19	M6X16	40	22	6	15.5	6	80	10	235	10	M24X1.5	301	115
90S	2-8	140	36	180	205	155	60	100	180	56	24	M8X19	50	32	8	20	7	90	12.5	260	10	M24X1.5	360	129
90L	2-8	140	36	180	205	155	60	125	210	56	24	M8X19	50	32	8	20	7	90	12.5	260	10	M24X1.5	390	129
100L	2-8	160	40	205	215	165	60	140	233	63	28	M10X22	60	40	8	24	7	100	14	275	12	M24X1.5	433.5	147
112M	2-8	190	45	230	236	185	75	140	252	70	28	M10X22	60	40	8	24	7	112	14	307	12	M30X2	461	144
132S	2-8	216	52	270	275	215	75	140	242	89	38	M12X28	80	56	10	33	8	132	16	347	12	M30X2	477	250
132M	2-8	216	52	270	275	215	75	178	242	89	38	M12X28	80	56	10	33	8	132	16	347	12	M30X2	515	250
160M	2-8	254	67	320	340	255	95	210	305	108	42	M16X36	110	80	12	37	8	160	19	430	14.5	M36X2	656.5	270
160L	2-8	254	67	320	340	255	95	254	375	108	42	M16X36	110	80	12	37	8	160	19	430	14.5	M36X2	728.5	270
180M	2-8	279	70	345	385	300	120	241	420	121	48	M16x36	110	80	14	42.5	9	180	22	480	14.5	M48x2	818	288
180L	2-8	279	70	345	385	300	120	279	420	121	48	M16x36	110	80	14	42.5	9	180	22	480	14.5	M48x2	818	288
200L	2-8	318	70	390	440	325	120	305	490	133	55	M20x42	110	80	16	49	10	200	25	525	18.5	M48x2	908.5	298
225S	4-8	356	75	435	490	370	160	286	475	149	60	M20x42	140	100	18	53	11	225	28	595	18.5	M64x2	958	350
225M	2	356	75	435	490	370	160	311	475	149	55	M20x42	110	80	16	49	10	225	28	595	18.5	M64x2	928	320
225M	4-8	356	75	435	490	370	160	311	475	149	60	M20x42	140	100	18	53	11	225	28	595	18.5	M64x2	958	350
250M	2	406	80	485	545	390	160	349	515	168	60	M20x42	140	100	18	53	11	250	33	645	24	M64x2	981	350
250M	4-8	406	80	485	545	390	160	349	515	168	65	M20x42	140	100	18	58	11	250	33	645	24	M64x2	981	350
280S	2	457	85	550	610	415	160	368	554	190	65	M20x42	140	100	18	58	11	280	35	700	24	M64x2	1028	350
280S	4-8	457	85	550	610	415	160	368	554	190	75	M20x42	140	100	20	67.5	12	280	35	700	24	M64x2	1042	350
280M	2	457	85	550	610	415	160	419	554	190	65	M20x42	140	100	18	58	11	280	35	700	24	M64x2	1028	350
280M	4-8	457	85	550	610	415	160	419	554	190	75	M20x42	140	100	20	67.5	12	280	35	700	24	M64x2	1042	350
315S	2	508	120	635	670	600	260	406	790	216	65	M20x42	140	100	18	58	11	315	35	920	28	M72x2	1419	387
315M	2	508	120	635	670	600	260	457	790	216	65	M20x42	140	100	18	58	11	315	35	920	28	M72x2	1419	387
315L	2	508	120	635	670	600	260	508	790	216	65	M20x42	140	100	18	58	11	315	35	920	28	M72x2	1419	387
315S	4-8	508	120	635	670	600	260	406	790	216	80	M20x42	170	130	22	71	14	315	35	920	28	M72x2	1492	417
315M	4-8	508	120	635	670	600	260	457	790	216	80	M20x42	170	130	22	71	14	315	35	920	28	M72x2	1492	417
315L	4-8	508	120	635	670	600	260	508	790	216	80	M20x42	170	130	22	71	14	315	35	920	28	M72x2	1492	417
355M	2	610	125	735	735	640	260	560	775	254	75	M24X50	140	110	20	67.5	12	355	49	1000	28	M72x2	1490	415
355L	2	610	125	735	735	640	260	630	775	254	75	M24X50	140	110	20	67.5	12	355	49	1000	28	M72x2	1490	415
355M	4-8	610	125	735	735	640	260	560	775	254	95	M24X50	170	140	25	86	14	355	49	1000	28	M72x2	1520	445
355L	4-8	610	125	735	735	640	260	630	775	254	95	M24X50	170	140	25	86	14	355	49	1000	28	M72x2	1520	445
355L	2	610	125	735	735	640	260	630	875	254	75	M24X50	140	110	20	67.5	12	355	49	1000	28	M72x2	1590	415
355L	4-8	610	125	735	735	640	260	630	875	254	95	M24X50	170	140	25	86	14	355	49	1000	28	M72x2	1620	445

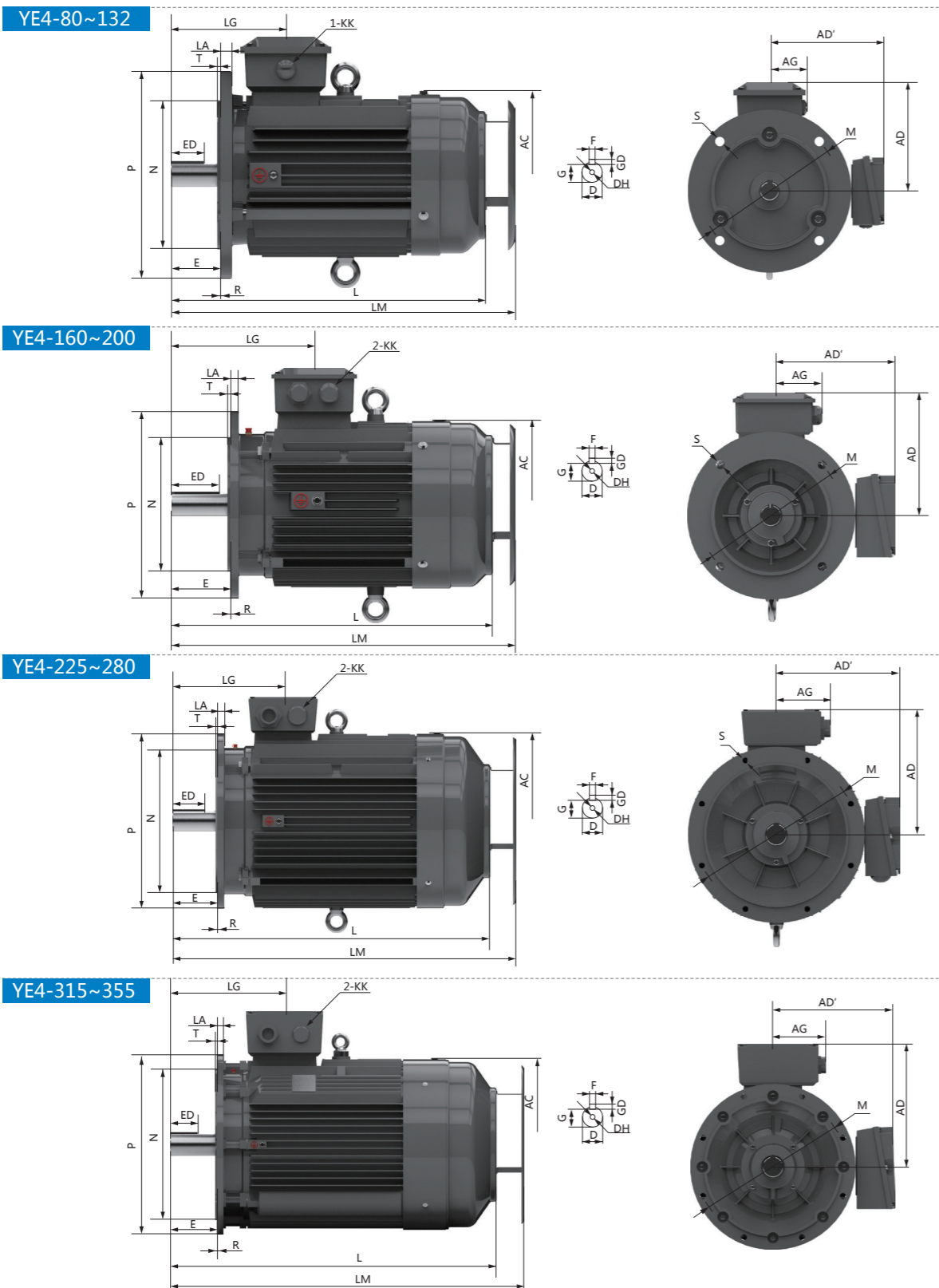
注：
1、图中 DH 默认为不带螺纹的中心孔，可根据需要加工成螺纹孔。
The 'DH' defaults to a non-threaded center hole and it can be machined into a threaded hole as required.
2、80-132 机座号的 L 尺寸公差 +5,160-355 机座号的 L 尺寸公差 +8。
The dimension of 'L' with tolerance +5 for frame 80-132,tolerance +8 for frame 160-355.
3、因 355 机座号功率较多，安装尺寸不同，订货时请另询外形图。
Due to the motors with frame size 355 have various powers,the installation size is different, please consult the external outline drawing when ordering.

◆ B5&V1 外形及安装尺寸 Dimensions Flange Mount B5&V1

◆ B5&V1 外形及安装尺寸 Dimensions Flange Mount B5&V1

YE4

YE4

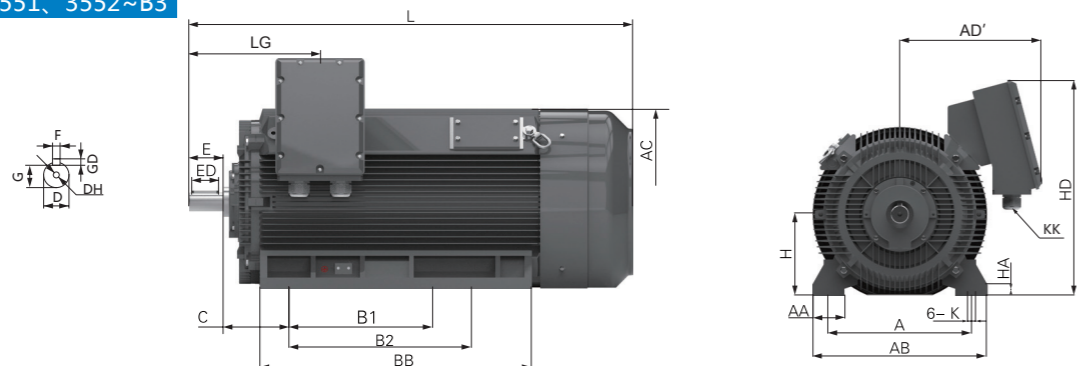


机座号 FRAME SIZE	极数 POLES	AC	D	AD	AD'	AG	DH	E	ED	F	G	GD	LA	LG	M	N	P	S	T	KK	L	LM
80M	2-8	175	19	155	145	51	M6X16	40	22	6	15.5	6	14	115	165	130	200	12	3.5	M24X1.5	301	-
90S	2-8	205	24	170	155	60	M8X19	50	32	8	20	7	12	129	165	130	200	12	3.5	M24X1.5	360	-
90L	2-8	205	24	170	155	60	M8X19	50	32	8	20	7	12	129	165	130	200	12	3.5	M24X1.5	390	-
100L	2-8	215	28	175	165	60	M10X22	60	40	8	24	7	14	147	215	180	250	14.5	4	M24X1.5	433.5	-
112M	2-8	236	28	195	185	75	M10X22	60	40	8	24	7	12	144	215	180	250	14.5	4	M30X2	461	-
132S	2-8	275	38	215	215	75	M12X28	80	56	10	33	8	14	250	265	230	300	14.5	4	M30X2	477	-
132M	2-8	275	38	215	215	75	M12X28	80	56	10	33	8	14	250	265	230	300	14.5	4	M30X2	515	-
160M	2-8	340	42	270	255	95	M16X36	110	80	12	37	8	15	270	300	250	350	18.5	5	M36X2	656.5	701.5
160L	2-8	340	42	270	255	95	M16X36	110	80	12	37	8	15	270	300	250	350	18.5	5	M36X2	728.5	773.5
180M	2-8	385	48	300	300	120	M16x36	110	80	14	42.5	9	15	288	300	250	350	18.5	5	M48x2	818	863
180L	2-8	385	48	300	300	120	M16x36	110	80	14	42.5	9	15	288	300	250	350	18.5	5	M48x2	818	863
200L	2-8	440	55	325	325	120	M20x42	110	80	16	49	10	17	298	350	300	400	18.5	5	M48x2	908.5	984
225S	4-8	490	60	370	370	160	M20x42	140	100	18	53	11	19	350	400	350	450	18.5	5	M64x2	958	1033
225M	2	490	55	370	370	160	M20x42	110	80	16	49	10	19	320	400	350	450	18.5	5	M64x2	928	1003
225M	4-8	490	60	370	370	160	M20x42	140	100	18	53	11	19	350	400	350	450	18.5	5	M64x2	958	1033
250M	2	545	60	390	390	160	M20x42	140	100	18	53	11	22	350	500	450	550	18.5	5	M64x2	981	1056
250M	4-8	545	65	390	390	160	M20x42	140	100	18	58	11	22	350	500	450	550	18.5	5	M64x2	981	1056
280S	2	610	65	415	415	160	M20x42	140	100	18	58	11	22	350	500	450	550	18.5	5	M64x2	1028	1113
280S	4-8	610	75	415	415	160	M20x42	140	100	20	67.5	12	22	350	500	450	550	18.5	5	M64x2	1042	1127
280M	2	610	65	415	415	160	M20x42	140	100	18	58	11	22	350	500	450	550	18.5	5	M64x2	1028	1113
280M	4-8	610	75	415	415	160	M20x42	140	100	20	67.5	12	22	350	500	450	550	18.5	5	M64x2	1042	1127
315S	2	670	65	600	600	260	M20x42	140	100	18	58	11	24	387	600	550	660	24	6	M72x2	1419	1504
315M	2	670	65	600	600	260	M20x42	140	100	18	58	11	24	387	600	550	660	24	6	M72x2	1419	1504
315L	2	670	65	600	600	260	M20x42	140	100	18	58	11	24	387	600	550	660	24	6	M72x2	1419	1504
315S	4-8	670	80	600	600	260	M20x42	170	130	22	71	14	24	417	600	550	660	24	6	M72x2	1492	1577
315M	4-8	670	80	600	600	260	M20x42	170	130	22	71	14	24	417	600	550	660	24	6	M72x2	1492	1577
315L	4-8	670	80	600	600	260	M20x42	170	130	22	71	14	24	417	600	550	660	24	6	M72x2	1492	1577
355M(V1)	2	735	75	645	640	260	M24X50	140	110	20	67.5	12	25	415	740	680	800	24	6	M72X2	1490	1590
355L(V1)	2	735	75	645	640	260	M24X50	140	110	20	67.5	12	25	415	740	680	800	24	6	M72X2	1490	1590
355M(V1)	4-8	735	95	645	640	260	M24X50	170	140	25	86	14	25	445	740	680	800	24	6	M72X2	1520	1620
355L(V1)	4-8	735	95	645	640	260	M24X50	170	140	25	86	14	25	445	740	680	800	24	6	M72X2	1520	1620
355L	2	735	75	645	640	260	M24X50	140	110	20	67.5	12	25	415	740	680	800	24	6	M72X2	1590	1690
355L	4-8	735	95	645	640	260	M24X50	170	140	25	86	14	25	445	740	680	800	24	6	M72X2	1620	1720

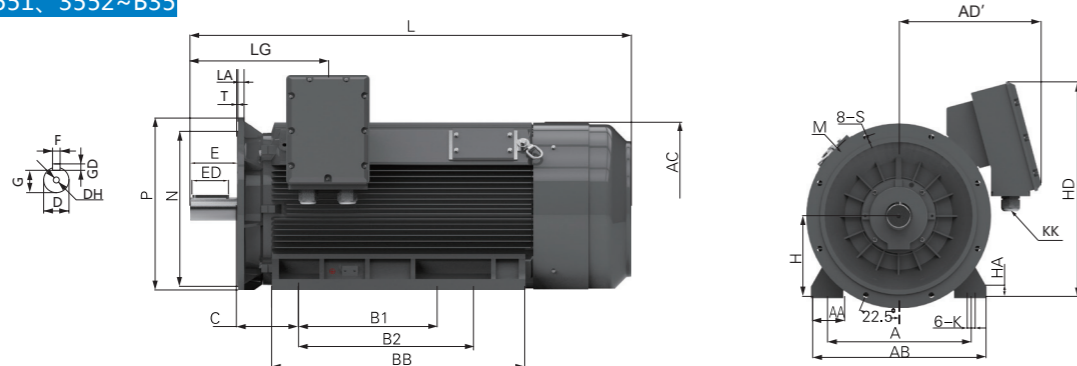
注：
1、图中 R 尺寸值均为 0。The 'R' dimensions is zero.
2、图中 DH 默认为不带螺纹的中心孔，可根据需要加工成螺纹孔。
The 'DH' defaults to a non-threaded center hole and it can be machined into a threaded hole as required
3、80-132 机座号的 L 和 LM 尺寸公差 ± 5 ，160-355 机座号的 L 和 LM 尺寸公差 ± 8
The dimension of 'L' and 'LM' with tolerance ± 5 for frame 80-132, tolerance ± 8 for frame 160-355.
4、因 355 机座号功率较多，安装尺寸不同，订货时请另询外形图
Due to the motors with frame size 355 have various powers, the installation size is different, please consult the external outline drawing when ordering.

3551、3552 外形及安装尺寸 Mounting Dimensions 3551、3552

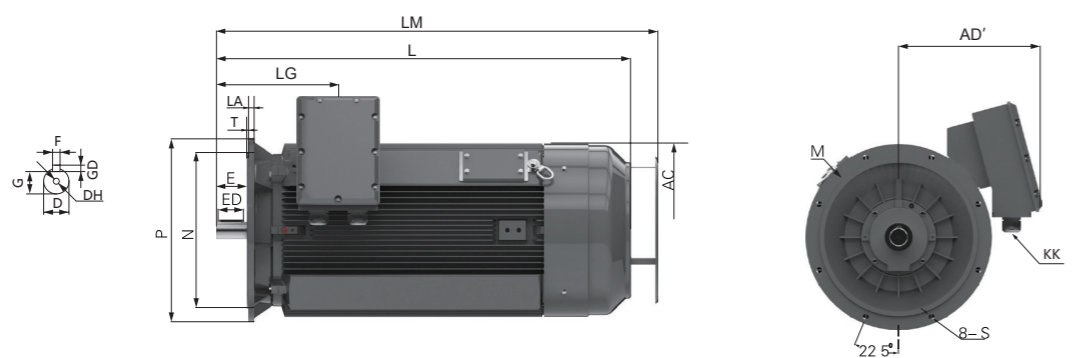
YE4-3551、3552~B3



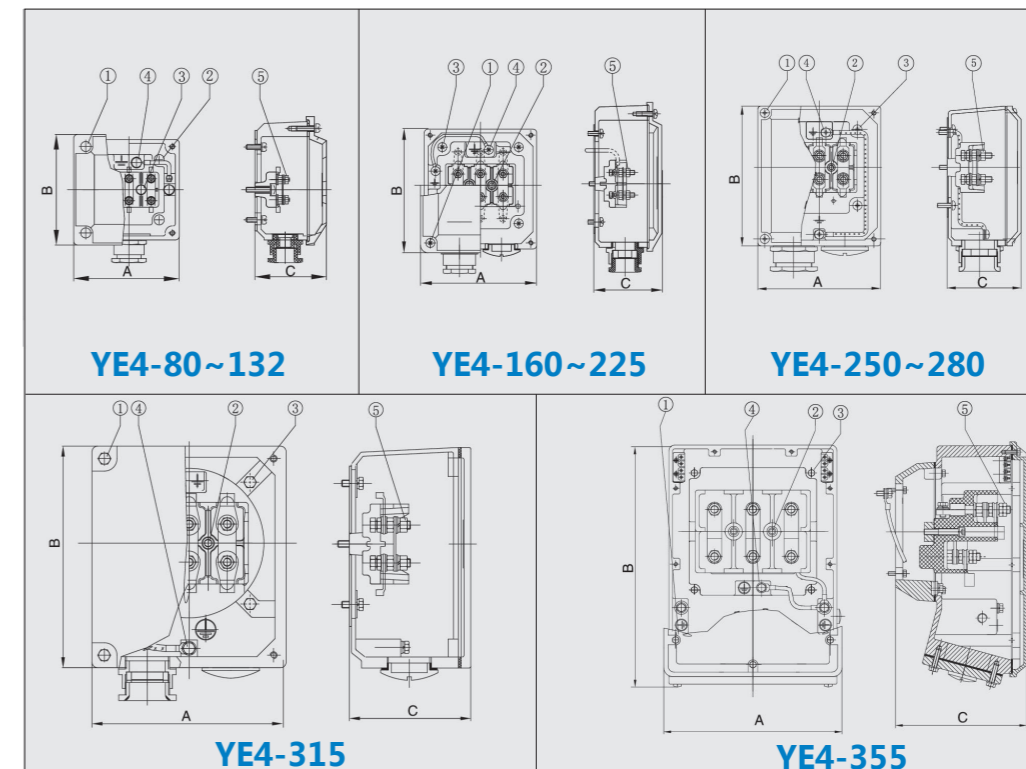
YE4-3551、3552~B35



YE4-3551、3552~V1



上出线接线盒 Top Terminal Box

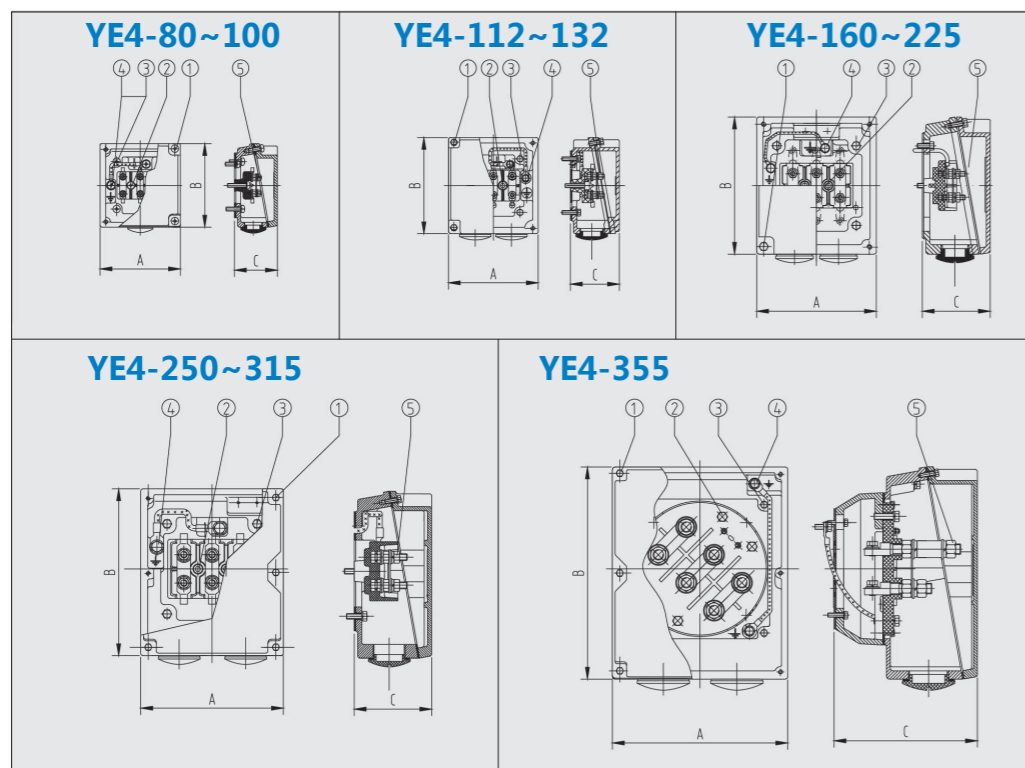


机座号 Frame	A	B	C	1	2	3	4	5	螺纹尺寸 Gland Size	出线孔直径 Outlet(dia.)
YE4-80	105	105	65	M5X16	M5X25	M5X16	M5X12	M4	M24X1.5	Φ11
YE4-90 ~ 100	113	113	72	M5X16	M5X25	M5X16	M5X12	M4	M24X1.5	Φ11
YE4-112 ~ 132	121	129	80	M5X16	M5X25	M5X20	M5X16	M5	2XM30X2	2XΦ15
YE4-160	163	173	92	M6X16	M6X25	M6X16	M6X12	M6	2XM36X2	2XΦ25
YE4-180 ~ 200	188	208	107	M8x25	M8x35	M8x25	M8x16	M8	2XM48x2	2XΦ36
YE4-225 ~ 280	217	246	120	M8x25	M8x35	M8x25	M8x16	M10	2XM64x2	2XΦ51
YE4-315 ~ 355	350	475	285	M12X30	M12X80	M12X30	M10X25	M20	2XM72X2	2XΦ52

机座号 FRAME SIZE	极数 POLES	A	AA	AB	AC	AD'	B1	B2	BB	C	D	DH	E	ED	F	G	GD	H	HA	HD	K	LA	L	LM	LG	M	N	P	S	T	KK
3551、3552	2	630	140	760	760	630	630	800	1110	224	80	M20X42	170	140	22	71	14	355	49	950	35	28	1850	1950	545	840	780	900	24	6	M72*2
3551、3552	4-8	630	140	760	760	630	630	800	1110	224	110	M24X50	210	160	28	100	16	355	49	950	35	28	1940	2040	585	840	780	900	24	6	M72*2

注：
1. 图中 DH 默认为不带螺纹的中心孔，可根据需要加工成螺纹孔。
The 'DH' defaults to a non-threaded center hole and it can be machined into a threaded hole as required.
2. 图中 L 和 LM 尺寸公差 +8。
The dimension of 'L' and 'LM' with tolerance +-8.

侧出线接线盒 Side Terminal Box



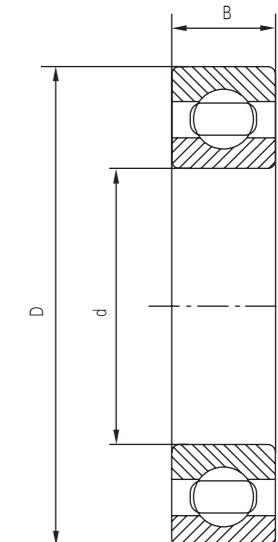
机座号 Frame	A	B	C	1	2	3	4	5	螺纹尺寸 Gland Size	出线孔直径 Outlet(dia.)
YE4-80	95	95	56	M5X16	M5X25	M5X16	M5X12	M4	M24X1.5	Φ11
YE4-90 ~ 100	105	109	56	M5X16	M5X25	M5X16	M5X12	M4	M24X1.5	Φ11
YE4-112 ~ 132	117	125	65	M5X16	M5X25	M5X20	M5X16	M5	2XM30X2	2XΦ15
YE4-160	155	177	87	M5X16	M6X25	M6X16	M6X12	M6	2XM36X2	2XΦ25
YE4-180 ~ 200	176	212	107	M6X20	M8X35	M8X20	M8X16	M8	2XM48X2	2XΦ36
YE4-225 ~ 280	212	248	115	M6X20	M8X35	M8X30	M8x16	M10	2XM64x2	2XΦ51
YE4-315 ~ 355	340	410	275	M8x30	M12x40	M12x30	M10x25	M20	2XM72x2	2XΦ52

轴承、密封 Bearing、Seal

轴承数据

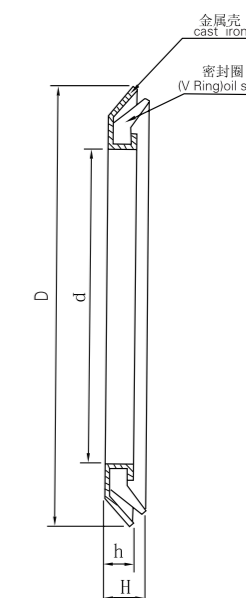
电机型号 Motor Type	轴伸端 DE	非轴伸端 NDE	d	D	B
YE4-80	6204ZZ	6204ZZ	20	47	14
YE4-90	6205ZZ	6205ZZ	25	52	15
YE4-100	6206ZZ	6206ZZ	30	62	16
YE4-112	6306ZZ	6306ZZ	30	72	19
YE4-132	6308ZZ	6308ZZ	40	90	23
YE4-160	6309	6309	45	100	25
YE4-180	6311	6311	55	120	29
YE4-200	6313	6313	65	140	33
YE4-225	6314	6314	70	150	35
YE4-250	6314	6314	70	150	35
YE4-280 2P	6314	6314	70	150	35
YE4-280 4-6P	6317	6317	85	180	41
YE4-315 2P	6316	6316	80	170	39
YE4-315 4-6P	6319	6319	95	200	45
YE4-355(2P) (B3,B35)	6319	6319	95	200	45
YE4-355(2P)V1	6319	7319	95	200	45
YE4-355(4-8P) (B3,B35)	6322	6322	110	240	50
YE4-355(4-8P)V1	6322	7322	110	240	50
YE4-3551、3552(2P) (B3,B35)	6319/C3	6319/C3	95	200	45
YE4-3551、3552(4-8P) (B3,B35)	NU324	6324	120	260	55
YE4-3551、3552(2P) V1	6319C3	7319	95	200	45
YE4-3551、3552(4-8P) V1	NU324	7324	110	260	55

轴承数据
bearing data



轴面油封数据

电机型号 Motor Type	油封规格 Oil Seal Size	d	D	h	H
YE4-80	RB20x35x4.0	Φ20	Φ35	3	6
YE4-90	RB25x40x4.0	Φ25	Φ40	3	6
YE4-100	RB30x47x4.5	Φ30	Φ47	3.5	6.5
YE4-112	RB30x47x4.5	Φ30	Φ47	3.5	6.5
YE4-132	RB40x57x4.5	Φ40	Φ57	3.5	6.5
YE4-160	RB45x62x4.5	Φ45	Φ62	3.5	6.5
YE4-180	RB55x75x5.5	Φ55	Φ75	4.5	6.5
YE4-200	RB65x85x5.5	Φ65	Φ85	4.5	8
YE4-225	RB70x90x5.5	Φ70	Φ90	4.5	8
YE4-250	RB70x90x5.5	Φ70	Φ90	4.5	8
YE4-280-2	RB70x90x5.5	Φ70	Φ90	4.5	8
YE4-280-4.6.8	RB85x105x5.5	Φ85	Φ105	4.5	8
YE4-315-2	RB80x100x5.5	Φ80	Φ100	4.5	8
YE4-315-4.6.8	RB95x115x5.5	Φ95	Φ115	4.5	8



YVF2 系列变频三相异步电动机

YVF2 Series Converter-Fed Three-Phase Induction Motor



产品概述 Product Introduction

YVF2 系列变频调速三相异步电动机是以变频调速装置为供电电源的专用三相异步电动机，与变频装置组成的系统能够实现无极调速，达到节能和控制自动化的目的。

YVF2 系列电机采用鼠笼结构，运行可靠，维护方便。电机装有独立轴流风机，保证电机在不同转速下均有较好的冷却效果。该系列电机的主要性能符合 JB/T7118-2014 的有关规定，电机壳体采用我公司自主研发的 HM2 系列电机壳体，电机安装尺寸同 YE2 系列电机，符合 IEC 标准的规定。

YVF2 系列电机可适用于各种需要调速的传动装置中，广泛应用于轻工、纺织、化工、冶金、起重、机床等行业，配合高精度传感器，可实现高精度闭环控制。

YVF2 series frequency control of motor speed three-phase asynchronous motor is a special three-phase asynchronous motor with variable-frequency speed-regulating device as the power supply. The system composed with variable-frequency device can realize infinite speed-regulating and achieve the purpose of energy saving and control automation.

YVF2 series motor adopts squirrel cage structure, reliable operation and easy maintenance. The motor is equipped with an independent axial fan to ensure that the motor has a better cooling effect at different rotate speeds. The main performance of this series of motors conforms to the relevant provisions of JB/ t7118-2014. The motor shell adopts the HM2 series of motor shell independently developed by our company. The motor installation size is the same as YE2 series of motors, which conforms to the provisions of IEC standards.

YVF2 series motors can be applied to a variety of speed regulating transmission devices, widely used in light industry, textile, chemical industry, metallurgy, lifting, machine tools and other industries, with high-precision sensors, can achieve high-precision closed-loop control.

详细说明 Specification

◆现场条件

YVF2 系列电机标准工作条件为 -15℃到 +40℃，海拔不超过 1000 米。

◆温升和绝缘

电动机按 155 (F) 级绝缘设计，按 B 级绝缘考核 (80K)，电动机的使用寿命和可靠性得到保证。

◆冷却方式

电机带独立轴流风机，冷却方式为 IC416。

◆防护等级

电机的防护等级为 IP55。

◆电压、频率

标准电压为 380V，标准频率为 50Hz。

◆调频范围

电机在规定频率范围内应能保证转矩 (3Hz~50Hz) 或恒功率 (对 2 极电动机 50Hz~60Hz, 对 355-4 以外的 4 极、6 极电动机 50Hz~100Hz, 对 355-4 电动机 50Hz~75Hz) 运行。

◆接法

55kW 及以下电机采用 Y 接，55kW 以上电机采用 Δ 接。

◆电机保护

可根据要求安装 PTC、PT100 等绕组和轴承测温及保护装置。

◆电机传感器

可根据用户要求安装电机传感器。

◆质量保证

从产品设计到产品出厂，遵循 ISO9001 质量认证体系，严格遵守质量程序。

◆ Site condition

The standard working conditions of YVF2 series motor are from -15 °C to +40 °C , and the altitude is not more than 1000 meters.

◆ Temperature rise and insulation

155(F) class insulation system and temperature rise class B (80K) are adopted to the motor, which increase the motor useful life and reliability.

◆ Cooling method

The motor is equipped with an independent axial fan, cooling method is IC416.

◆ Protection degree

The standard protection degree of the motor is IP55

◆ Voltage、frequency

The standard voltage is 380V and the standard frequency is 50Hz.

◆ Variable-frequency range

The motor should be able to ensure torque (3Hz~50Hz) or constant power in the specified frequency range for operating (for 2pole motors 50 Hz~ 60Hz; for 4pole、6pole motors except 355-4p 50 Hz~ 100 Hz; for 355-4 pole motor, 50 Hz~75 Hz).

◆ Connection

The motor of 55kW and below is connected by Y, and the motor of 55kW and above is connected by Δ

◆ Protection for motor

PTC PT100 in windings and bearings can be installed as required.

◆ Motor sensor

Motor sensor can be installed according to customer' s requirements.

◆ Quality guarantee

From the product design to the delivery of products, follow the ISO9001 quality certification system, strict compliance with quality procedures.

技术数据 Technical Data

2极 – 同步转速 3000r/min 50HZ
2pole-3000rpm synchronous speed 50HZ

型号 Type	额定功率 Rated Power (KW)	额定电流 Rated Current (A)	额定转矩 Rated Torque (N·m)	最大转矩 额定转矩 Maximum Torque Rated Torque	额定转速 Rated Speed (r/min)	重量 Weight (kg)	
						IC416	IC411
YVF2-80M1-2	0.75	1.9	2.5	2.3	2855	19	17
YVF2-80M2-2	1.1	2.7	3.7	2.3	2855	21	19
YVF2-90S-2	1.5	3.5	5.0	2.3	2875	22	20
YVF2-90L-2	2.2	4.9	7.3	2.3	2875	27	25
YVF2-100L-2	3	6.4	9.9	2.3	2880	37	35
YVF2-112M-2	4	8.3	13.2	2.3	2900	44	40
YVF2-132S1-2	5.5	11.2	18	2.3	2900	69	60
YVF2-132S2-2	7.5	14.9	25	2.3	2900	74	65
YVF2-160M1-2	11	21.4	36	2.3	2940	122	110
YVF2-160M2-2	15	28.9	49	2.3	2940	132	120
YVF2-160L-2	18.5	35.4	60	2.3	2940	155	135
YVF2-180M-2	22	41.8	71	2.3	2955	190	170
YVF2-200L1-2	30	56.5	97	2.3	2965	255	230
YVF2-200L2-2	37	69.3	119	2.3	2965	270	240
YVF2-225M-2	45	83.8	145	2.3	2970	330	300
YVF2-250M-2	55	101.9	177	2.3	2975	430	400
YVF2-280S-2	75	138.1	241	2.3	2975	555	520
YVF2-280M-2	90	165.2	289	2.3	2975	610	575
YVF2-315S-2	110	199	353	2.2	2980	930	890
YVF2-315M-2	132	238.3	423	2.2	2980	1010	970
YVF2-315L1-2	160	284.8	513	2.2	2980	1110	1070
YVF2-315L2-2	200	355.2	641	2.2	2980	1170	1130
YVF2-355M-2	250	444.1	801	2.2	2980	1660	1620
YVF2-355L-2	315	559.5	1010	2.2	2980	1870	1830

技术数据 Technical Data

4极 – 同步转速 1500r/min 50HZ
4pole-1500rpm synchronous speed 50HZ

型号 Type	额定功率 Rated Power (KW)	额定电流 Rated Current (A)	额定转矩 Rated Torque (N·m)	最大转矩 额定转矩 Maximum Torque Rated Torque	额定转速 Rated Speed (r/min)	重量 Weight (kg)	
						IC416	IC411
YVF2-80M1-4	0.55	1.6	3.8	2.3	1400	16	14
YVF2-80M2-4	0.75	2.1	5.1	2.3	1400	18	16
YVF2-90S-4	1.1	2.9	7.4	2.3	1425	20	18
YVF2-90L-4	1.5	3.8	10.1	2.3	1425	28	26
YVF2-100L1-4	2.2	5.2	14.6	2.3	1440	37	35
YVF2-100L2-4	3	6.9	19.9	2.3	1440	42	40
YVF2-112M-4	4	9.0	26.3	2.3	1450	49	45
YVF2-132S-4	5.5	12.0	36	2.3	1455	74	65
YVF2-132M-4	7.5	16.0	49	2.3	1455	84	75
YVF2-160M-4	11	23.0	72	2.3	1465	127	115
YVF2-160L-4	15	30.6	98	2.3	1465	142	130
YVF2-180M-4	18.5	37.0	120	2.3	1470	195	175
YVF2-180L-4	22	43.7	142	2.3	1475	220	200
YVF2-200L-4	30	59.1	194	2.3	1475	275	250
YVF2-225S-4	37	71.7	239	2.3	1480	325	295
YVF2-225M-4	45	86.7	290	2.3	1480	355	325
YVF2-250M-4	55	105.5	355	2.3	1480	450	420
YVF2-280S-4	75	141.3	482	2.3	1485	570	535
YVF2-280M-4	90	167.1	579	2.3	1485	650	615
YVF2-315S-4	110	201.3	707	2.2	1485	890	850
YVF2-315M-4	132	241.0	849	2.2	1485	980	940
YVF2-315L1-4	160	288.0	1029	2.2	1485	1060	1020
YVF2-315L2-4	200	359.2	1286	2.2	1485	1200	1160
YVF2-355M-4	250	449.0	1602	2.2	1490	1700	1660
YVF2-355L-4	315	565.7	2019	2.2	1490	1900	1860

技术数据 Technical Data

6极 – 同步转速 1000r/min 50HZ
6pole-1000rpm synchronous speed 50HZ

型号 Type	额定功率 Rated Power (KW)	额定电流 Rated Current (A)	额定转矩 Rated Torque (N·m)	最大转矩 额定转矩 Maximum Torque Rated Torque	额定转速 Rated Speed (r/min)	重量 Weight (kg)	
						IC416	IC411
YVF2-90S-6	0.75	2.3	7.7	2.1	935	23	21
YVF2-90L-6	1.1	3.2	11.2	2.1	940	26	24
YVF2-100L-6	1.5	4.2	15.2	2.1	945	37	35
YVF2-112M-6	2.2	6.0	22.1	2.1	950	42	40
YVF2-132S-6	3	7.9	30	2.1	960	60	56
YVF2-132M1-6	4	10.1	40	2.1	960	75	66
YVF2-132M2-6	5.5	13.4	55	2.1	960	85	76
YVF2-160M-6	7.5	17.2	74	2.1	970	122	110
YVF2-160L-6	11	24.5	108	2.1	970	146	134
YVF2-180L-6	15	31.7	147	2.1	975	196	176
YVF2-200L1-6	18.5	39.7	181	2.1	975	248	223
YVF2-200L2-6	22	46.3	216	2.1	975	264	234
YVF2-225M-6	30	61.6	291	2.1	985	315	285
YVF2-250M-6	37	74.6	359	2.1	985	410	380
YVF2-280S-6	45	88.0	436	2	985	495	460
YVF2-280M-6	55	105.7	533	2	985	545	510
YVF2-315S-6	75	146.5	724	2	990	800	760
YVF2-315M-6	90	173.2	868	2	990	960	920
YVF2-315L1-6	110	210.7	1061	2	990	1050	1010
YVF2-315L2-6	132	249.4	1273	2	990	1150	1110
YVF2-355M1-6	160	301.4	1543	2.2	990	1600	1560
YVF2-355M2-6	200	375.9	1929	2.2	990	1720	1680
YVF2-355L-6	250	469.9	2412	2.2	990	1850	1810

技术数据 Technical Data

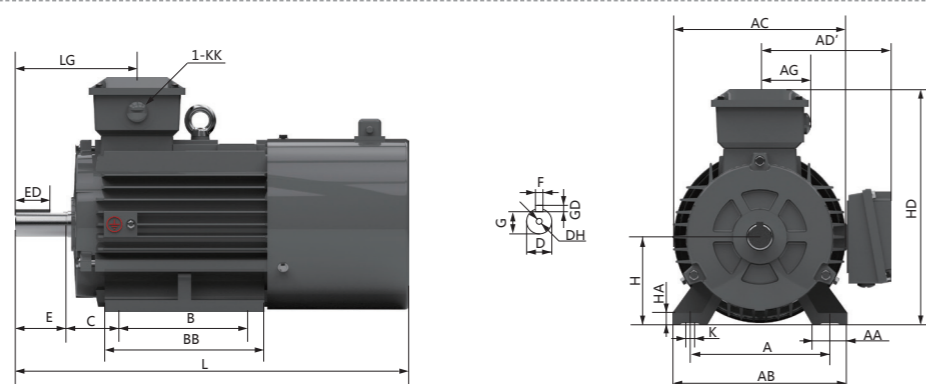
8极 – 同步转速 750r/min 50HZ
8pole-750rpm synchronous speed 50HZ

型号 Type	额定功率 Rated Power (KW)	额定电流 Rated Current (A)	额定转矩 Rated Torque (N·m)	最大转矩 额定转矩 Maximum Torque Rated Torque	额定转速 Rated Speed (r/min)	重量 Weight (kg)	
						IC416	IC411
YVF2-100L1-8	0.75	2.4	10.4	2.2	690	30	28
YVF2-100L2-8	1.1	3.4	15.2	2.4	690	35	33
YVF2-112M-8	1.5	4.4	20.8	2.6	690	49	45
YVF2-132S-8	2.2	6.0	30	2.5	710	60	51
YVF2-132M-8	3	7.8	40	2.4	710	70	61
YVF2-160M1-8	4	10.3	53	2.5	720	101	89
YVF2-160M2-8	5.5	13.6	73	2.4	720	119	107
YVF2-160L-8	7.5	17.8	100	2.3	720	132	120
YVF2-180L-8	11	25.5	144	2.5	730	178	158
YVF2-200L-8	15	34.1	196	2.4	730	253	228
YVF2-225S-8	18.5	41.1	242	2.6	730	288	258
YVF2-225M-8	22	47.4	284	2.4	740	312	282
YVF2-250M-8	30	63.4	387	2.5	740	397	367
YVF2-280S-8	37	77.8	478	2.7	740	503	468
YVF2-280M-8	45	94.1	581	2.8	740	550	515
YVF2-315S-8	55	111.2	710	2.5	740	792	752
YVF2-315M-8	75	150.5	968	2.8	740	910	870
YVF2-315L1-8	90	177.8	1162	2.9	740	1016	976
YVF2-315L2-8	110	216.8	1420	2.8	740	1136	1096
YVF2-355M1-8	132	261.0	1704	2.22	740	1596	1556
YVF2-355M2-8	160	314.7	2066	2.3	740	1744	1704
YVF2-355L-8	200	387.4	2582	2.33	740	2029	1989

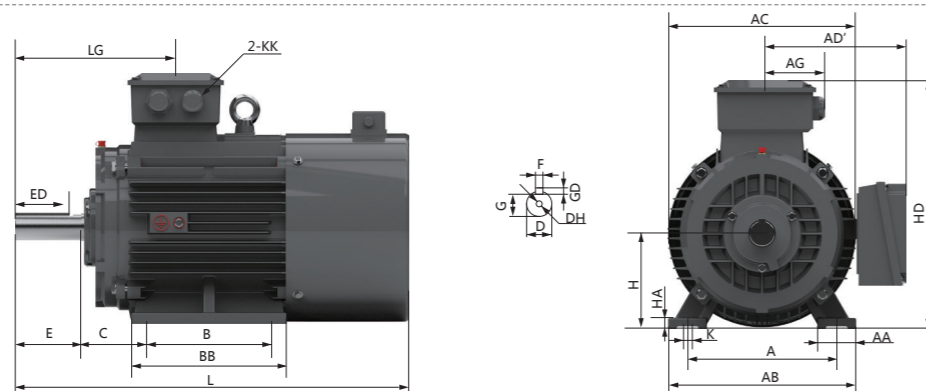
◆ B3 外形及安装尺寸 Dimensions Foot Mount B3

◆ B3 外形及安装尺寸 Dimensions Foot Mount B3

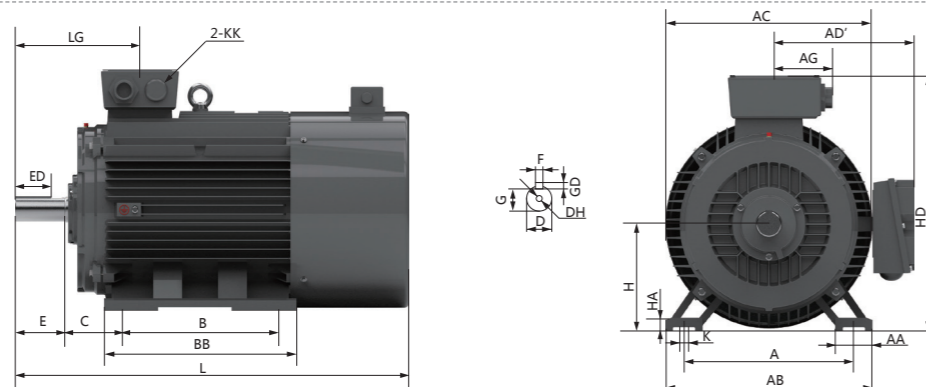
YVF2-80~132



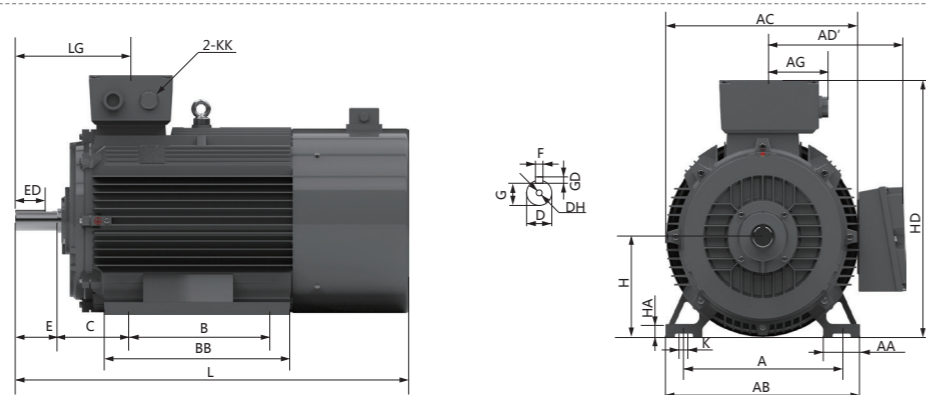
YVF2-160~200



YVF2-225~280



YVF2-315~355



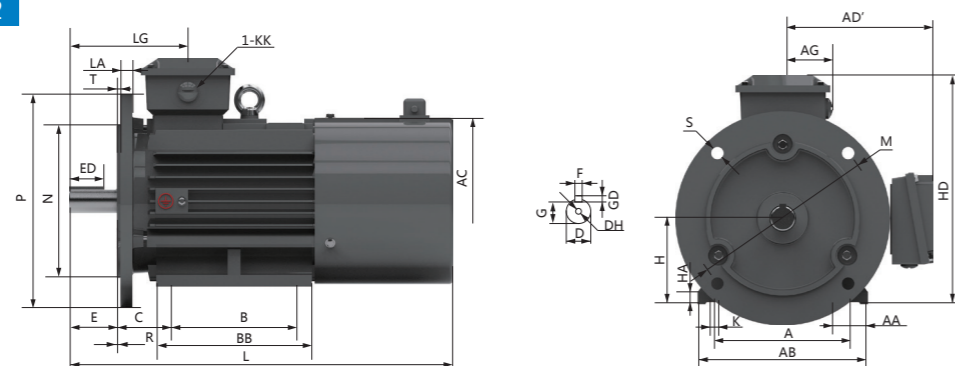
机座号 FRAME SIZE	极数 POLES	A	AA	AB	AC	AD'	AG	B	BB	C	D	DH	E	ED	F	G	GD	H	HA	HD	K	KK	L		LG
		IC411	IC416																						
80M	2-8	125	34	160	175	140	51	100	130	50	19	M6X16	40	22	6	15.5	6	80	10	230	10	M24X1.5	295	344	106
90S	2-8	140	36	180	190	150	60	100	135	56	24	M8X19	50	32	8	20	7	90	12.5	255	10	M24X1.5	318	398	124
90L	2-8	140	36	180	190	150	60	125	160	56	24	M8X19	50	32	8	20	7	90	12.5	255	10	M24X1.5	343	423	124
100L	2-8	160	40	200	215	160	60	140	182	63	28	M10X22	60	40	8	24	7	100	14	270	12	M24X1.5	381	452.5	140
112M	2-8	190	45	230	236	185	75	140	195	70	28	M10X22	60	40	8	24	7	112	14	310	12	M30X2	399	465	145
132S	2-8	216	52	265	275	205	75	140	205	89	38	M12X28	80	56	10	33	8	132	16	350	12	M30X2	474	523	169
132M	2-8	216	52	265	275	205	75	178	245	89	38	M12X28	80	56	10	33	8	132	16	350	12	M30X2	512	563	169
160M	2-8	254	65	320	330	250	95	210	260	108	42	M16X36	110	80	12	37	8	160	19	425	14.5	M36X2	610	660	270
160L	2-8	254	65	320	330	250	95	254	305	108	42	M16X36	110	80	12	37	8	160	19	425	14.5	M36X2	655	705	270
180M	2-8	279	74	350	380	270	95	241	297	121	48	M16X36	110	80	14	42.5	9	180	22	460	14.5	M36X2	671	722	277
180L	2-8	279	74	350	380	270	95	279	335	121	48	M16X36	110	80	14	42.5	9	180	22	460	14.5	M36X2	709	760	277
200L	2-8	318	75	395	420	325	120	305	370	133	55	M20X42	110	80	16	49	10	200	25	515	18.5	M48X2	762	847	298
225S	4-8	356	80	436	465	335	120	286	355	149	60	M20X42	140	100	18	53	11	225	28	560	18.5	M48X2	815	892	340
225M	2	356	80	436	465	335	120	311	380	149	55	M20X42	110	80	16	49	10	225	28	560	18.5	M48X2	810	887	310
225M	4-8	356	80	436	465	335	120	311	380	149	60	M20X42	140	100	18	53	11	225	28	560	18.5	M48X2	840	917	340
250M	2	406	88	495	520	370	160	349	440	168	60	M20X42	140	100	18	53	11	250	33	620	24	M64X2	925	1010	353
250M	4-8	406	88	495	520	370	160	349	440	168	65	M20X42	140	100	18	58	11	250	33	620	24	M64X2	925	1010	353
280S	2	457	100	550	570	400	160	368	495	190	65	M20X42	140	100	18	58	11	280	35	685	24	M64X2	960	1050	350
280S	4-8	457	100	550	570	400	160	368	495	190	75	M20X42	140	100	20	67.5	12	280	35	685	24	M64X2	975	1065	350
280M	2	457	100	550	570	400	160	419	535	190	65	M20X42	140	100	18	58	11	280	35	685	24	M64X2	1000	1090	350
280M	4-8	457	100	550	570	400	160	419	535	190	75	M20X42	140	100	20	67.5	12	280	35	685	24	M64X2	1010	1105	350
315S	2	508	120	630	650	495	195	406	515	216	65	M20X42	140	100	18	58	11	315	45	820	28	M64X2	1145	1220	387
315M	2	508	120	630	650	495	195	457	625	216	65	M20X42	140	100	18	58	11	315	45	820	28	M64X2	1255	1330	387
315L	2	508	120	630	650	495	195	508	625	216	65	M20X42	140	100	18	58	11	315	45	820	28	M64X2	1255	1330	387
315S	4-8	508	120	630	650	495	195	406	515	216	80	M20X42	170	130	22	71	14	315	45	820	28	M64X2	1190	1250	417
315M	4-8	508	120	630	650	495	195	457	625	216	80	M20X42	170	130	22	71	14	315	45	820	28	M64X2	1300	1360	417
315L	4-8	508	120	630	650	495	195	508	625	216	80	M20X42	170	130	22	71	14	315	45	820	28	M64X2	1300	1360	417
355M	2	610	125	735	735	640	330	560	775	254	75	M24X50	140	110	20	67.5	12	355	49	1000	28	M72X2	1500	1670	420
355L	2	610	125	735	735	640	330	630	775	254	75	M24X50	140	110	20	67.5	12	355	49	1000	28	M72X2	1500	1670	420
355M	4-8	610	125	735	735	640	330	560	775	254	95	M24X50	170	140	25	86	14	355	49	1000	28	M72X2	1530	1700	450
355L	4-8	610	125	735	735	640	330	630	775	254	95	M24X50	170	140	25	86	14	355	49	1000	28	M72X2	1530	1700	450

注：
 1. 图中 DH 默认为不带螺纹的中心孔，可根据需要加工成螺纹孔。
 The 'DH' defaults to a non-threaded center hole and it can be machined into a threaded hole as required.
 2. 80-132 机座号的 L 尺寸公差 +5, 160-355 机座号的 L 尺寸公差 +8。
 The dimension of 'L' with tolerance +5 for frame 80-132, tolerance +8 for frame 160-355.
 3. 因 355 机座号功率较多，安装尺寸不同，订货时请另询外形图。
 Due to the motors with frame size 355 have various powers, the installation size is different, please consult the external outline drawing when ordering.

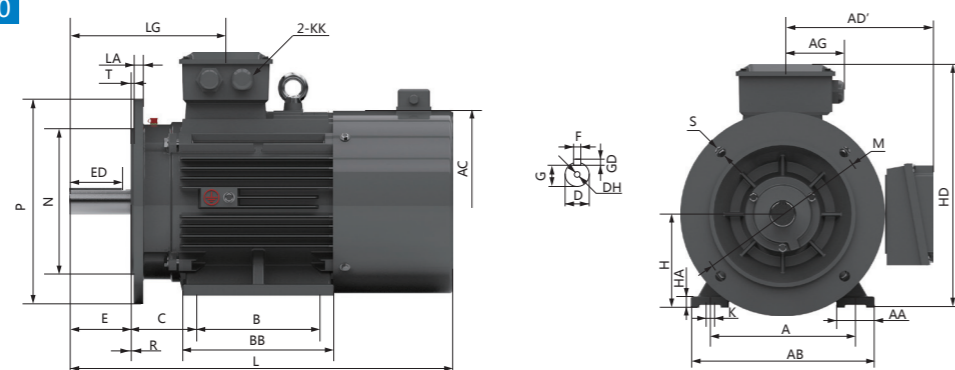
B35 外形及安装尺寸 Dimensions Foot-Flange Mount B35

B35 外形及安装尺寸 Dimensions Foot-Flange Mount B35

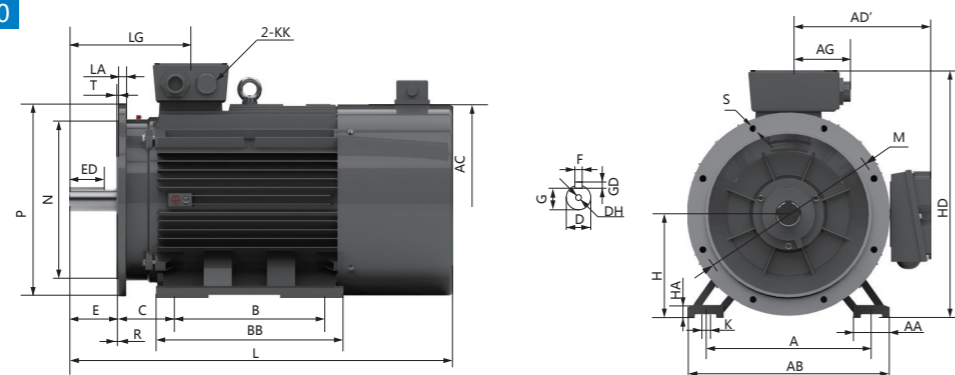
YVF2-80~132



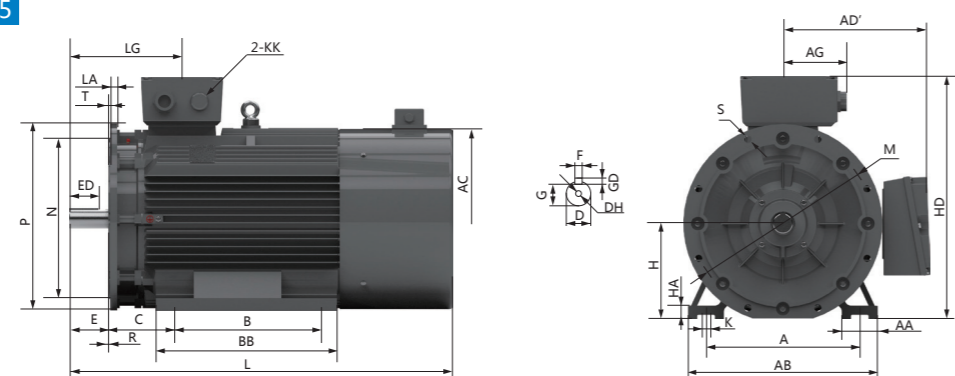
YVF2-160~200



YVF2-225~280



YVF2-315~355

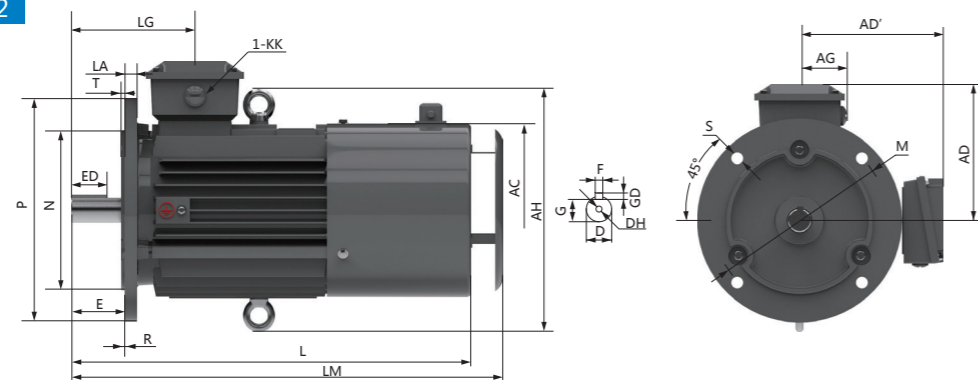


机座号 FRAME SIZE	极数 POLES	A	AA	AB	AC	AD'	AG	B	BB	C	D	DH	E	ED	F	G	GD	H	HA	HD	K	KK	L		LG	LA	M	N	P	S	T
																							IC411	IC416							
80M	2-8	125	34	160	175	140	51	100	130	50	19	M6X16	40	22	6	15.5	6	80	10	230	10	M24X1.5	295	344	106	12	165	130	200	12	3.5
90S	2-8	140	36	180	190	150	60	100	135	56	24	M8X19	50	32	8	20	7	90	12.5	255	10	M24X1.5	318	398	124	12	165	130	200	12	3.5
90L	2-8	140	36	180	190	150	60	125	160	56	24	M8X19	50	32	8	20	7	90	12.5	255	10	M24X1.5	343	423	124	12	165	130	200	12	3.5
100L	2-8	160	40	200	215	160	60	140	182	63	28	M10X22	60	40	8	24	7	100	14	270	12	M24X1.5	381	452.5	140	14	215	180	250	14.5	4
112M	2-8	190	45	230	236	185	75	140	195	70	28	M10X22	60	40	8	24	7	112	14	310	12	M30X2	399	465	145	14	215	180	250	14.5	4
132S	2-8	216	52	265	275	205	75	140	205	89	38	M12X28	80	56	10	33	8	132	16	350	12	M30X2	474	523	169	14	265	230	300	14.5	4
132M	2-8	216	52	265	275	205	75	178	245	89	38	M12X28	80	56	10	33	8	132	16	350	12	M30X2	512	563	169	14	265	230	300	14.5	4
160M	2-8	254	65	320	330	250	95	210	260	108	42	M16X36	110	80	12	37	8	160	19	425	14.5	M36X2	610	660	270	15	300	250	350	18.5	5
160L	2-8	254	65	320	330	250	95	254	305	108	42	M16X36	110	80	12	37	8	160	19	425	14.5	M36X2	655	705	270	15	300	250	350	18.5	5
180M	2-8	279	74	350	380	270	95	241	297	121	48	M16X36	110	80	14	42.5	9	180	22	460	14.5	M36X2	671	722	277	15	300	250	350	18.5	5
180L	2-8	279	74	350	380	270	95	279	335	121	48	M16X36	110	80	14	42.5	9	180	22	460	14.5	M36X2	709	760	277	15	300	250	350	18.5	5
200L	2-8	318	75	395	420	325	120	305	370	133	55	M20X42	110	80	16	49	10	200	25	515	18.5	M48X2	762	847	298	17	350	300	400	18.5	5
225S	4-8	356	80	436	465	335	120	286	355	149	60	M20X42	140	100	18	53	11	225	28	560	18.5	M48X2	815	892	340	19	400	350	450	18.5	5
225M	2	356	80	436	465	335	120	311	380	149	55	M20X42	110	80	16	49	10	225	28	560	18.5	M48X2	810	887	310	19	400	350	450	18.5	5
225M	4-8	356	80	436	465	335	120	311	380	149	60	M20X42	140	100	18	53	11	225	28	560	18.5	M48X2	840	917	340	19	400	350	450	18.5	5
250M	2	406	88	495	520	370	160	349	440	168	60	M20X42	140	100	18	53	11	250	33	620	24	M64X2	925	1010	353	20	500	450	550	18.5	5
250M	4-8	406	88	495	520	370	160	349	440	168	65	M20X42	140	100	18	58	11	250	33	620	24	M64X2	925	1010	353	20	500	450	550	18.5	5
280S	2	457	100	550	570	400	160	368	495	190	65	M20X42	140	100	18	58	11	280	35	685	24	M64X2	960	1050	350	22	500	450	550	18.5	5
280S	4-8	457	100	550	570	400	160	368	495	190	75	M20X42	140	100	20	67.5	12	280	35	685	24	M64X2	975	1065	350	22	500	450	550	18.5	5
280M	2	457	100	550	570	400	160	419	535	190	65	M20X42	140	100	18	58	11	280	35	685	24	M64X2	1000	1090	350	22	500	450	550	18.5	5
280M	4-8	457	100	550	570	400	160	419	535	190	75	M20X42	140	100	20	67.5	12	280	35	685	24	M64X2	1010	1105	350	22	500	450	550	18.5	5
315S	2	508	120	630	650	495	195	406	515	216	65	M20X42	140	100	18	58	11	315	45	820	28	M64X2	1145	1220	387	24	600	550	660	24	6
315M	2	508	120	630	650	495	195	457	625	216	65	M20X42	140	100	18	58	11	315	45	820	28	M64X2	1255	1330	387	24	600	550	660	24	6
315L	2	508	120	630	650	495	195	508	625	216	65	M20X42	140	100	18	58	11	315	45	820	28	M64X2	1255	1330	387	24	600	550	660	24	6
315S	4-8	508	120	630	650	495	195	406	515	216	80	M20X42	170	130	22	71	14	315	45	820	28	M64X2	1190	1250	417	24	600	550	660	24	6
315M	4-8	508	120	630	650	495	195	457	625	216	80	M20X42	170	130	22	71	14	315	45	820	28	M64X2	1300	1360	417	24	600	550	660	24	6
315L	4-8	508	120	630	650	495	195	508	625	216	80	M20X42	170	130	22	71	14	315	45	820	28	M64X2	1300	1360	417	24	600	550	660	24	6
355M	2	610	125	735	735	640	330	560	775	254	75	M24X50	140	110	20	67.5	12	355	49	1000	28	M72X2	1500	1670	420	25	740	680	800	24	6
355L	2	610	125	735	735	640	330	630	775	254	75	M24X50	140	110	20	67.5	12	355	49	1000	28	M72X2	1500	1670	420	25	740	680	800	24	6
355M	4-8	610	125	735	735	640	330	560	775	254	95	M24X50	170	140	25	86	14	355	49	1000	28	M72X2	1530	1700	450	25	740	680	800	24	6
355L	4-8	610	125	735	735	640	330	630	775	254	95	M24X50	170	140	25	86	14	355	49	1000	28	M72X2	1530	1700	450	25	740	680	800	24	6

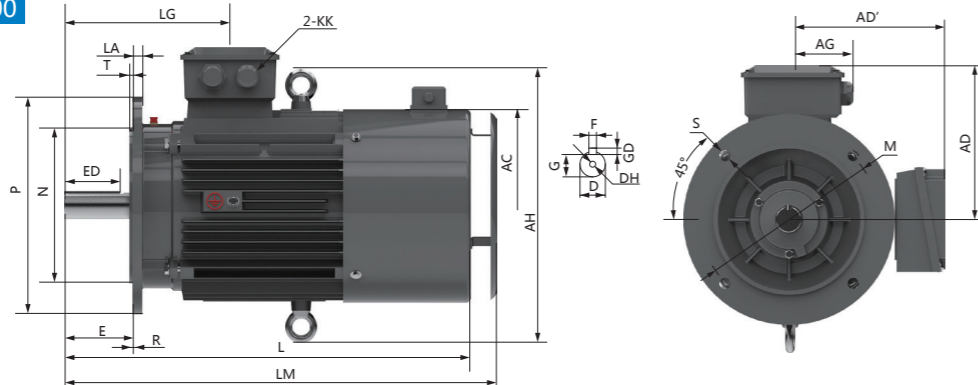
注：
 1、图中 R 尺寸值均为 0。The 'R' dimensions is zero.
 2、图中 DH 默认为不带螺纹的中心孔，可根据需要加工成螺纹孔。
 The 'DH' defaults to a non-threaded center hole and it can be machined into a threaded hole as required.
 3、80-132 机座号的 L 和 LM 尺寸公差 +5,160-355 机座号的 L 和 LM 尺寸公差 +8
 The dimension of 'L' and 'LM' with tolerance +5 for frame 80-132,tolerance +8 for frame 160-355.
 4、因 355 机座号功率较多，安装尺寸不同，订货时请另询外形图
 Due to the motors with frame size 355 have various powers,the installation size is different, please consult the external outline drawing when ordering.

◆ B5&V1 外形及安装尺寸 Dimensions Flange Mount B5&V1

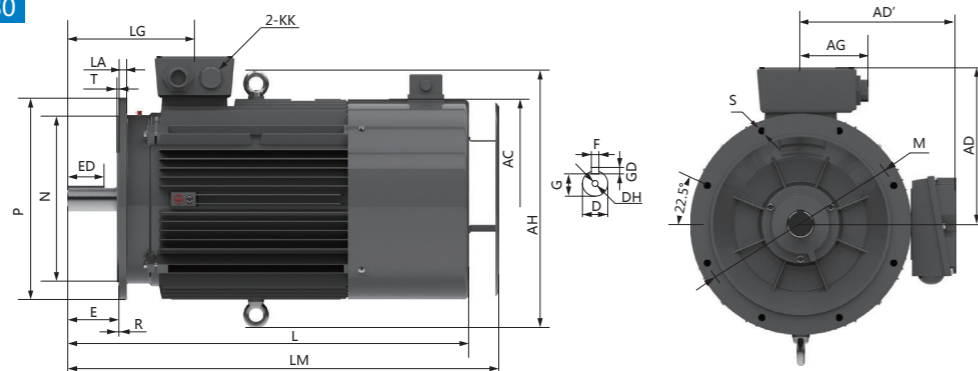
YVF2-80~132



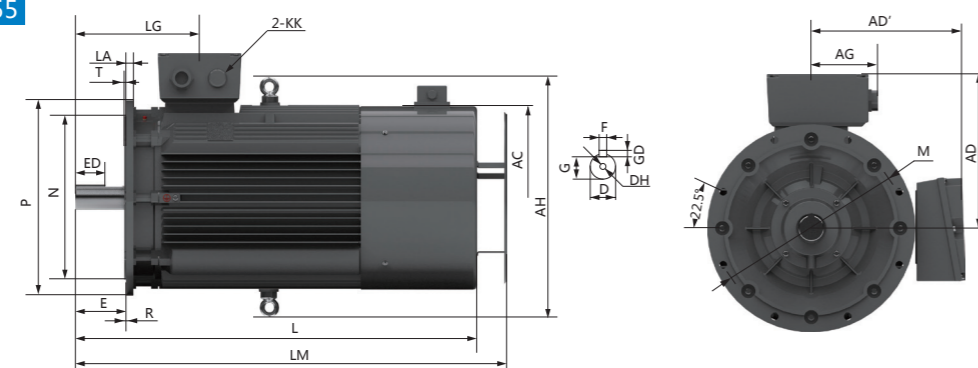
YVF2-160~200



YVF2-225~280



YVF2-315~355



◆ B5&V1 外形及安装尺寸 Dimensions Flange Mount B5&V1

机座号 FRAME SIZE	极数 POLES	AC	AD	AD'	AG	D	DH	E	ED	F	G	GD	KK	L		LG	LA	M	N	P	S	T
														IC411	IC416							
80M	2-8	175	150	140	51	19	M6X16	40	22	6	15.5	6	M24X1.5	295	344	106	12	165	130	200	12	3.5
90S	2-8	190	165	150	60	24	M8X19	50	32	8	20	7	M24X1.5	318	398	124	12	165	130	200	12	3.5
90L	2-8	190	165	150	60	24	M8X19	50	32	8	20	7	M24X1.5	343	423	124	12	165	130	200	12	3.5
100L	2-8	215	170	160	60	28	M10X22	60	40	8	24	7	M24X1.5	381	452.5	140	14	215	180	250	14.5	4
112M	2-8	236	195	185	75	28	M10X22	60	40	8	24	7	M30X2	399	465	145	14	215	180	250	14.5	4
132S	2-8	275	215	205	75	38	M12X28	80	56	10	33	8	M30X2	474	523	169	14	265	230	300	14.5	4
132M	2-8	275	215	205	75	38	M12X28	80	56	10	33	8	M30X2	512	563	169	14	265	230	300	14.5	4
160M	2-8	330	265	250	95	42	M16X36	110	80	12	37	8	M36X2	610	660	270	15	300	250	350	18.5	5
160L	2-8	330	265	250	95	42	M16X36	110	80	12	37	8	M36X2	655	705	270	15	300	250	350	18.5	5
180M	2-8	380	280	270	95	48	M16X36	110	80	14	42.5	9	M36X2	671	722	277	15	300	250	350	18.5	5
180L	2-8	380	280	270	95	48	M16X36	110	80	14	42.5	9	M36X2	709	760	277	15	300	250	350	18.5	5
200L	2-8	420	315	325	120	55	M20X42	110	80	16	49	10	M48X2	762	847	298	17	350	300	400	18.5	5
225S	4-8	465	335	335	120	60	M20X42	140	100	18	53	11	M48X2	815	892	340	19	400	350	450	18.5	5
225M	2	465	335	335	120	55	M20X42	110	80	16	49	10	M48X2	810	887	310	19	400	350	450	18.5	5
225M	4-8	465	335	335	120	60	M20X42	140	100	18	53	11	M48X2	840	917	340	19	400	350	450	18.5	5
250M	2	520	375	370	160	60	M20X42	140	100	18	53	11	M64X2	925	1010	353	20	500	450	550	18.5	5
250M	4-8	520	375	370	160	65	M20X42	140	100	18	58	11	M64X2	925	1010	353	20	500	450	550	18.5	5
280S	2	570	395	400	160	65	M20X42	140	100	18	58	11	M64X2	960	1050	350	22	500	450	550	18.5	5
280S	4-8	570	395	400	160	75	M20X42	140	100	20	67.5	12	M64X2	975	1065	350	22	500	450	550	18.5	5
280M	2	570	395	400	160	65	M20X42	140	100	18	58	11	M64X2	1000	1090	350	22	500	450	550	18.5	5
280M	4-8	570	395	400	160	75	M20X42	140	100	20	67.5	12	M64X2	1010	1105	350	22	500	450	550	18.5	5
315S	2	650	500	495	195	65	M20X42	140	100	18	58	11	M64X2	1145	1220	387	24	600	550	660	24	6
315M	2	650	500	495	195	65	M20X42	140	100	18	58	11	M64X2	1255	1330	387	24	600	550	660	24	6
315L	2	650	500	495	195	65	M20X42	140	100	18	58	11	M64X2	1255	1330	387	24	600	550	660	24	6
315S	4-8	650	500	495	195	80	M20X42	170	130	22	71	14	M64X2	1190	1250	417	24	600	550	660	24	6
315M	4-8	650	500	495	195	80	M20X42	170	130	22	71	14	M64X2	1300	1360	417	24	600	550	660	24	6
315L	4-8	650	500	495	195	80	M20X42	170	130	22	71	14	M64X2	1300	1360	417	24	600	550	660	24	6
355M	2	735	645	640	330	75	M24X50	140	110	20	67.5	12	M72X2	1500	1670	420	25	740	680	800	24	6
355L	2	735	645	640	330	75	M24X50	140	110	20	67.5	12	M72X2	1500	1670	420	25	740	680	800	24	6
355M	4-8	735	645	640	330	95	M24X50	170	140	25	86	14	M72X2	1530	1700	450	25	740	680	800	24	6
355L	4-8	735	645	640	330	95	M24X50	170	140	25	86	14	M72X2	1530	1700	450	25	740	680	800	24	6

注：
1、图中 R 尺寸值均为 0。The 'R' dimensions is zero.
2、图中 DH 默认为不带螺纹的中心孔，可根据需要加工成螺纹孔。
The 'DH' defaults to a non-threaded center hole and it can be machined into a threaded hole as required.
3、80-132 机座号的 L 和 LM 尺寸公差 ± 5 ，160-355 机座号的 L 和 LM 尺寸公差 ± 8 。
The dimension of 'L' and 'LM' with tolerance ± 5 for frame 80-132, tolerance ± 8 for frame 160-355.
4、因 355 机座号功率较多，安装尺寸不同，订货时请另询外形图。
Due to the motors with frame size 355 have various powers, the installation size is different, please consult the external outline drawing when ordering.

IC416 系列所配风机参数 Fan parameters of IC416 series

电机机座号 Motor Frame	型号 Type	功率 Power kW	转速 Speed r/min	风压 Pa	风机风量 m ³ /h	噪声 Noise dB(A)
80	G80A	28	2600	60	350	50
90	G90A	30	2600	80	500	50
100	G100A	45	2600	82	650	55
112	G112A	50	2600	110	1000	60
132	G132A	40	1300	70	880	60
160	G160A	80	1300	40	1100	60
180	G180A	105	1360	105	2280	61
200	G200A	150	1400	108	2280	62
225	G225A	190	1370	110	3980	66
250	G250A	250	1380	110	4760	68
280	G280A	420	1350	120	6560	72
315	G315A	550	1330	122	8740	75
355	G355A	850	1360	120	12250	78

轴承 Bearings

B3、B35、B5				
机座号 Frame Size	轴伸端 Driving End		非轴伸端 Non-driving End	
	2 极 (pole)	4、6、8 极 (pole)	2 极 (pole)	4、6、8 极 (pole)
80	6204ZZ/C3	6204ZZ/C3	6204ZZ/C3	6204ZZ/C3
90	6205ZZ/C3	6205ZZ/C3	6205ZZ/C3	6205ZZ/C3
100	6206ZZ/C3	6206ZZ/C3	6206ZZ/C3	6206ZZ/C3
112	6306ZZ/C3	6306ZZ/C3	6306ZZ/C3	6306ZZ/C3
132	6308ZZ/C3	6308ZZ/C3	6308ZZ/C3	6308ZZ/C3
160	6309ZZ/C3	6309ZZ/C3	6309ZZ/C3	6309ZZ/C3
180	6311C3	6311C3	6311C3	6311C3
200	6312C3	6312C3	6312C3	6312C3
225	6313C3	6313C3	6313C3	6313C3
250	6314C3	6314C3	6314C3	6314C3
280	6314C3	6317C3	6314C3	6317C3
315	6316C3	6319C3(N319)	6316C3	6319C3
355	6319C3	6322C3(N322)	6319C3	6322C3
V1				
机座号 Frame Size	轴伸端 Driving End		非轴伸端 Non-driving End	
	2 极 (pole)	4、6、8 极 (pole)	2 极 (pole)	4、6、8 极 (pole)
315	6316C3	6319C3(N319)	6316C3	6319C3
355	6319C3	6322C3(N322)	7319	7322

YB3 系列隔爆型三相异步电动机

YB3 series flameproof three-phase asynchronous motor



产品概述 Product Introduction

YB3 系列隔爆型三相异步电动机符合 GB18613-2012《中小型三相异步电动机能效限定值及能效等级》中规定的三级效率标准，是 YB2 系列的更新换代产品。电动机按照 GB3836.2 的规定制成隔爆型，其防爆标志位 Exd I Mb、Exd II BT4Gb、Exd II CT4Gb。适用于煤矿非采掘面或 II 类 A、B 级 T1 ~ T4 组可燃性气体或蒸汽与空气形成的爆炸性混合物的场所内的设备上，作为一般动力设备使用。

Exd I Mb、Exd II BT4Gb 执行标准为 JB/T7565.1-2011

Exd II CT4Gb 执行标准为 JB/T7565.4-2015

YB3 series flameproof three-phase asynchronous motor is in line with the third efficiency standard in the provisions of GB18613-2012 "Minimum allowable values of energy efficiency and energy efficiency grades for small and medium three-phase asynchronous motors". It is the replacement of YB2 series. According to GB3836.2, the motor are made into a flameproof type. The explosion protection marks are Exd I Mb、Exd II BT4Gb and Exd II CT4Gb. It is applicable to the equipment in the non-mining surface of coal mine or the explosive mixture formed by combustible gas or steam and air of class A and class B group T1 ~ T4 in the place, and it is used as the general power equipment.

Exd I Mb and Exd II BT4Gb execution standard is JB/T7565.1-2011

Exd II CT4Gb execution standard is JB/T7565.4-2015

详细说明 Specification

◆现场条件

YB3 系列电动机标准工作条件为海拔不超过 1000m，环境温度最低为 -15℃，环境温度最高为 35℃（煤矿井下）或 40℃（除煤矿井下以外）。

◆温升和绝缘

电动机按 F 级绝缘设计（155℃），按 B 级绝缘考核（80K），电动机的使用寿命和可靠性得到保证。

◆冷却和通风

标准冷却方式为全封闭自扇冷。标准电机装有辅流式塑料风扇。符合 IEC60034-6 中 IC411 的规定。

◆防护等级

电动机的防护等级为 IP55，可用于含尘或潮湿环境。

◆电压、频率

机座号 80-100 电压为 380V

机座号 112-355 电压为 380V、660V、380/660V

◆额定频率为 50HZ

在供电电压偏离额定电压 ±5% 的情况下，仍能良好运行。

◆接线盒位置

接线盒在机座上方可以四个方向进线，进线分为橡胶套电缆和钢管布线两种。

◆质量保证

从产品设计到产品出厂，遵循 ISO9001 质量认证体系，严格遵守质量程序。

◆ Site conditions

The standard working conditions of YB3 series motors are as follows : The altitude is not more than 1000 meters, motors are suitable for almost all applications and operate satisfactorily at temperature from -15° C to +40° C , When used in underground coal mines, the maximum ambient temperature is 35° C .

◆ Temperature rise and insulation

F class (155 °C) insulation system and temperature rise class B (80K) are adopted to the motor.The service life and reliability of the motor are guaranteed.

◆ Cooling and ventilation

The standard cooling method is fully enclosed self-fan cooling standard motor equipped with auxiliary flow plastic fan in accordance with the provisions of IC411 in iec60034-6

◆ Protection class

The standard protection class of motor is IP55,can be used in dusty or humid environment

◆ Voltage、frequency

Frame size 80-100 ,the voltage is 380V

Frame size112-355, the voltage is 380V 660V 380/660v

◆ Rated frequency is 50HZ

Under the condition that the supply voltage deviates from the rated voltage by 5%, it can still run well

◆ Terminal box position

The terminal box of the motor is located at the top of the motor , and the cable can enter in four directions. The incoming wire is divided into two types: rubber sleeve cab

◆ Quality guarantee

From the product design to the delivery of products, follow the ISO9001 quality certification system, strict compliance with quality procedures

技术数据 Technical Data

2 极 – 同步转速 3000r/min 380V/50HZ
2pole-3000rpm synchronous speed 380V 50HZ

型号 Motor Type	额定功率 Rated Power (KW)	额定转速 Rated Speed (r/min)	额定电流 Rated Current (A)	效率 EFF η (%)	功率因数 Power Factor cosφ	堵转转矩 Locked Torque Rated Torque	堵转电流 Locked Current Rated Current	最大转矩 Maximum Torque Rated Torque	噪声 (dB)	重量 Weight (kg)
YB3-80M1-2	0.75	2855	1.8	77.4	0.82	2.4	6.5	2.5	67	25
YB3-80M2-2	1.1	2855	2.5	79.6	0.83	2.4	6.7	2.5	67	27
YB3-90S-2	1.5	2875	3.3	81.3	0.84	2.4	7.3	2.6	72	31
YB3-90L-2	2.2	2875	4.7	83.2	0.85	2.4	7.4	2.6	72	33
YB3-100L-2	3	2880	6.1	84.6	0.87	2.5	7.8	2.5	76	46
YB3-112M-2	4	2900	7.9	85.8	0.88	2.3	8.1	2.6	77	58
YB3-132S1-2	5.5	2900	10.8	87	0.88	2.3	7.9	2.5	80	84
YB3-132S2-2	7.5	2900	14.5	88.1	0.89	2.3	7.8	2.5	80	90
YB3-160M1-2	11	2940	21	89.4	0.89	2.3	7.5	2.5	86	140
YB3-160M2-2	15	2940	28	90.3	0.89	2.2	7.2	2.5	86	153
YB3-160L-2	18.5	2940	34.7	90.9	0.89	2.3	7.5	2.4	86	164
YB3-180M-2	22	2955	41.1	91.3	0.89	2.4	8.1	2.4	88	198
YB3-200L1-2	30	2965	55.5	92	0.89	2.2	7.5	2.5	90	265
YB3-200L2-2	37	2965	68.2	92.5	0.89	2.1	7.5	2.6	90	275
YB3-225M-2	45	2970	82.6	92.9	0.89	2.2	7.5	2.5	92	360
YB3-250M-2	55	2975	100.6	93.2	0.89	2.2	7.6	2.5	93	465
YB3-280S-2	75	2975	136.4	93.8	0.89	1.9	6.9	2.6	94	600
YB3-280M-2	90	2975	163.1	94.1	0.89	2	6.9	2.6	94	655
YB3-315S-2	110	2980	196.7	94.3	0.9	1.9	7	2.5	96	1040
YB3-315M-2	132	2980	235.3	94.6	0.9	1.9	7	2.4	96	1120
YB3-315L1-2	160	2980	281.5	94.8	0.91	1.9	7.1	2.4	98	1200
YB3-315L2-2	200	2980	351.5	95	0.91	1.8	7.1	2.2	98	1292
YB3-355M1-2	220	2980	386.7	95	0.91	1.6	7.1	2.2	100	1560
YB3-355M2-2	250	2980	439.4	95	0.91	1.6	7.1	2.2	100	1720
YB3-355L1-2	280	2980	492.1	95	0.91	1.6	7.2	2.2	100	1820
YB3-355L2-2	315	2980	553.6	95	0.91	1.6	7.2	2.2	100	1960

技术数据 Technical Data

4 极 – 同步转速 1500r/min 380V/50HZ
4pole-1500rpm synchronous speed 380V 50HZ

型号 Motor Type	额定功率 Rated Power (KW)	额定转速 Rated Speed (r/min)	额定电流 Rated Current (A)	效率 EFF η (%)	功率因数 Power Factor cosφ	堵转转矩 Locked Torque Rated Torque	堵转电流 Locked Current Rated Current	最大转矩 Maximum Torque Rated Torque	噪声 (dB)	重量 Weight (kg)
YB3-80M1-4	0.55	1400	1.38	80.7	0.75	2.3	6.3	2.3	58	29.5
YB3-80M2-4	0.75	1400	1.9	79.6	0.76	2.4	6.2	2.5	58	30
YB3-90S-4	1.1	1425	2.6	81.4	0.77	2.4	6.4	2.5	61	38
YB3-90L-4	1.5	1425	3.5	82.8	0.78	2.3	6.5	2.4	61	41
YB3-100L1-4	2.2	1440	4.9	84.3	0.8	2.4	7.2	2.5	64	50
YB3-100L2-4	3	1440	6.5	85.5	0.81	2.4	7.1	2.5	64	54.5
YB3-112M-4	4	1450	8.7	86.6	0.81	2.3	7.3	2.5	65	76
YB3-132S-4	5.5	1455	11.6	87.7	0.82	2	7.3	2.4	71	93
YB3-132M-4	7.5	1455	15.5	88.7	0.83	2	7.1	2.5	71	106
YB3-160M-4	11	1465	22.4	89.8	0.83	2.2	7.4	2.4	75	148
YB3-160L-4	15	1465	29.9	90.6	0.84	2.2	7.5	2.6	75	172
YB3-180M-4	18.5	1470	35.8	91.2	0.85	2.1	7.6	2.6	76	199
YB3-180L-4	22	1475	42.4	91.6	0.85	2.1	7.7	2.6	76	240
YB3-200L-4	30	1475	58	92.3	0.85	2.1	6.9	2.5	79	285
YB3-225S-4	37	1480	70.5	92.7	0.86	2.1	6.8	2.4	81	320
YB3-225M-4	45	1480	85.4	93.1	0.86	2.2	7.2	2.5	81	378
YB3-250M-4	55	1480	103.9	93.5	0.86	2.2	7	2.5	83	478
YB3-280S-4	75	1485	139.3	94	0.87	2.3	6.7	2.6	86	660
YB3-280M-4	90	1485	164.8	94.2	0.88	2.2	6.9	2.6	86	722
YB3-315S-4	110	1485	198.7	94.5	0.89	2.1	6.9	2.6	93	920
YB3-315M-4	132	1485	238	94.7	0.89	2.1	6.9	2.6	93	1100
YB3-315L1-4	160	1485	284.6	94.9	0.9	2.1	6.9	2.5	94	1180
YB3-315L2-4	200	1485	355	95.1	0.9	2.1	6.9	2.6	94	1340
YB3-355M1-4	220	1490	390.5	95.1	0.9	2	6.9	2.2	95	1654
YB3-355M2-4	250	1490	448.5	95.1	0.9	2	6.9	2.2	95	1700
YB3-355L1-4	280	1490	502.6	95.1	0.9	2	6.9	2.2	95	1860
YB3-355L2-4	315	1490	565.5	95.1	0.9	2	6.9	2.2	95	1960

技术数据 Technical Data

6极 – 同步转速 1000r/min 380V/50HZ
6pole-1000rpm synchronous speed 380V/50HZ

型号 Motor Type	额定功率 Rated Power (KW)	额定转速 Rated Speed (r/min)	额定电流 Rated Current (A)	效率 EFF η (%)	功率因数 Power Factor cosφ	堵转转矩 额定转矩 Locked Torque Rated Torque	堵转电流 额定电流 Locked Current Rated Current	最大转矩 额定转矩 Maximum Torque Rated Torque	噪声 (dB)	重量 (kg)
YB3-80M1-6	0.37	890	1.27	62	0.7	1.9	4.7	2	54	30
YB3-80M2-6	0.55	890	1.54	75.4	0.72	1.9	4.7	2.1	54	31
YB3-90S-6	0.75	935	2.1	75.9	0.71	2.1	5.8	2.1	57	35
YB3-90L-6	1.1	940	2.9	78.1	0.72	2.1	5.9	2.1	57	41
YB3-100L-6	1.5	945	3.9	79.8	0.72	2.1	6	2.1	61	48
YB3-112M-6	2.2	950	5.6	81.8	0.72	2.1	6	2.1	65	64
YB3-132S-6	3	960	7.6	83.3	0.72	2	6.2	2.1	69	89
YB3-132M1-6	4	960	9.7	84.6	0.74	2	6.8	2.1	69	94
YB3-132M2-6	5.5	960	12.8	86	0.75	2	7.1	2.1	69	102
YB3-160M-6	7.5	970	16.7	87.2	0.78	2.1	6.7	2.1	73	149
YB3-160L-6	11	970	23.8	88.7	0.79	2.1	6.9	2.1	73	171
YB3-180L-6	15	975	30.6	89.7	0.82	2.2	7.2	2.1	73	200
YB3-200L1-6	18.5	975	38.3	90.4	0.8	2.1	7.2	2.1	76	280
YB3-200L2-6	22	975	44.7	90.9	0.81	2.1	7.3	2.1	76	300
YB3-225M-6	30	985	60.6	91.7	0.82	2	7.1	2.1	76	360
YB3-250M-6	37	985	73.3	92.2	0.83	2.1	7.1	2.1	78	450
YB3-280S-6	45	985	86.8	92.7	0.85	2.1	7.2	2	80	610
YB3-280M-6	55	985	104.4	93.1	0.86	2.1	7.2	2	80	660
YB3-315S-6	75	990	144.6	93.7	0.84	2	6.7	2	85	880
YB3-315M-6	90	990	171	94	0.85	2	6.7	2	85	1060
YB3-315L1-6	110	990	208.3	94.3	0.85	2	6.7	2	85	1120
YB3-315L2-6	132	990	246.5	94.6	0.86	2	6.7	2	85	1220
YB3-355S-6	160	990	298.2	94.8	0.86	2	6.7	2	92	1600
YB3-355M1-6	185	990	344.8	95	0.86	2	6.7	2	92	1685
YB3-355M2-6	200	990	367.6	95	0.86	2	6.7	2	92	1780
YB3-355L1-6	220	990	409.1	95	0.86	2	6.7	2	92	1909
YB3-355L2-6	250	990	464.9	95	0.86	2	6.7	2	92	1973

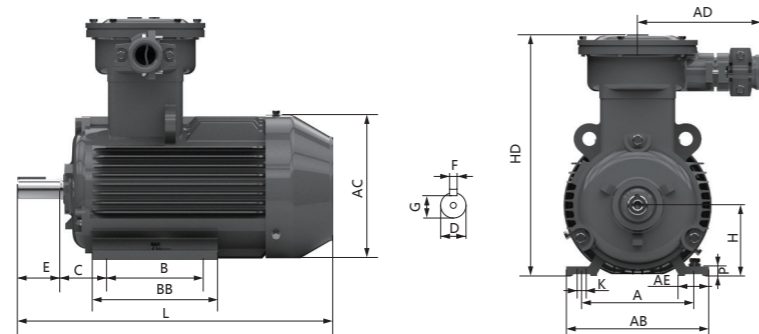
技术数据 Technical Data

8极 – 同步转速 750r/min 380V/50HZ
8pole-750rpm synchronous speed 380V/50HZ

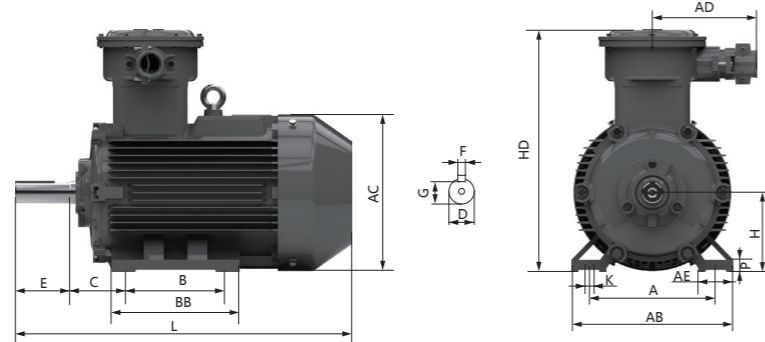
型号 Motor Type	额定功率 Rated Power (KW)	额定转速 Rated Speed (r/min)	额定电流 Rated Current (A)	效率 EFF η (%)	功率因数 Power Factor cosφ	堵转转矩 额定转矩 Locked Torque Rated Torque	堵转电流 额定电流 Locked Current Rated Current	最大转矩 额定转矩 Maximum Torque Rated Torque	噪声 (dB)	重量 (kg)
YB3-80M1-8	0.18	650	0.86	51	0.61	1.8	3.3	1.9	52	27
YB3-80M2-8	0.25	650	1.13	54	0.61	1.8	3.3	1.9	52	28
YB3-90S-8	0.37	670	1.5	62	0.61	1.8	4	1.9	56	36.5
YB3-90L-8	0.55	670	2.2	63	0.61	1.8	4	2	56	40.5
YB3-100L1-8	0.75	690	2.35	70	0.67	1.8	4	2	59	54
YB3-100L2-8	1.1	690	3.31	72	0.69	1.8	5	2	59	53
YB3-112M-8	1.5	690	4	74	0.7	1.8	5	2	61	69
YB3-132S-8	2.2	710	5.78	79	0.71	1.8	6	2	64	84
YB3-132M-8	3	710	7.69	80	0.73	1.8	6	2	64	91
YB3-160M1-8	4	720	9.7	81	0.73	1.9	6	2	68	134
YB3-160M2-8	5.5	720	13	83	0.74	1.9	6	2	68	144
YB3-160L-8	7.5	720	16.9	85.5	0.75	1.9	6	2	68	170
YB3-180L-8	11	720	24.8	87.5	0.75	2	6.5	2	70	220
YB3-200L-8	15	730	33.6	88	0.76	2	6.6	2	73	280
YB3-225S-8	18.5	740	41.1	90	0.76	1.9	6.6	2	73	320
YB3-225M-8	22	740	47.4	90.5	0.78	1.9	6.6	2	73	340
YB3-250M-8	30	740	64	91	0.79	1.9	6.5	2	75	480
YB3-280S-8	37	740	78	91.5	0.79	1.9	6.6	2	76	580
YB3-280M-8	45	740	95	92	0.79	1.9	6.6	2	76	600
YB3-315S-8	55	740	110.7	92.8	0.81	1.8	6.6	2	82	930
YB3-315M-8	75	740	151	93.5	0.81	1.8	6.2	2	82	1095
YB3-315L1-8	90	740	179.9	93.8	0.82	1.8	6.4	2	82	1280
YB3-315L2-8	110	740	217.2	94	0.82	1.8	6.4	2	82	1320
YB3-355S-8	132	740	261	93.7	0.82	1.8	6.4	2	90	1600
YB3-355M-8	160	740	314.7	94.2	0.82	1.8	6.4	2	90	1780
YB3-355L1-8	185	740	363.9	94.2	0.82	1.8	6.4	2	90	1890
YB3-355L2-8	200	740	387.4	94.5	0.83	1.8	6.4	2	90	1980

◆ B3 外形及安装尺寸 Dimensions Foot Mount B3

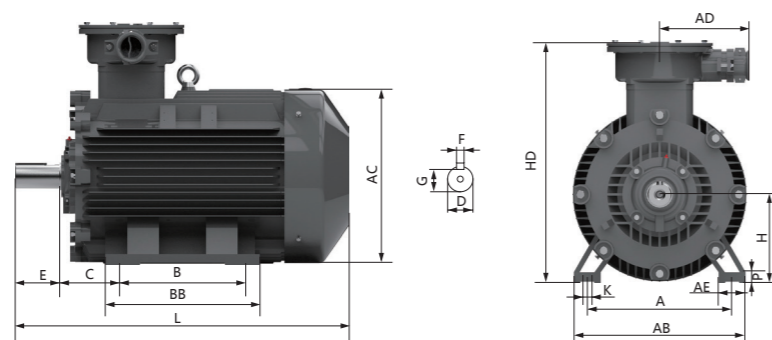
YB3-80~132



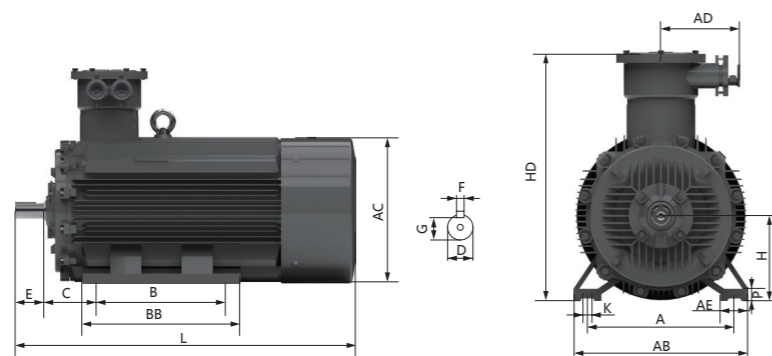
YB3-160~200



YB3-225~280



YB3-315~355



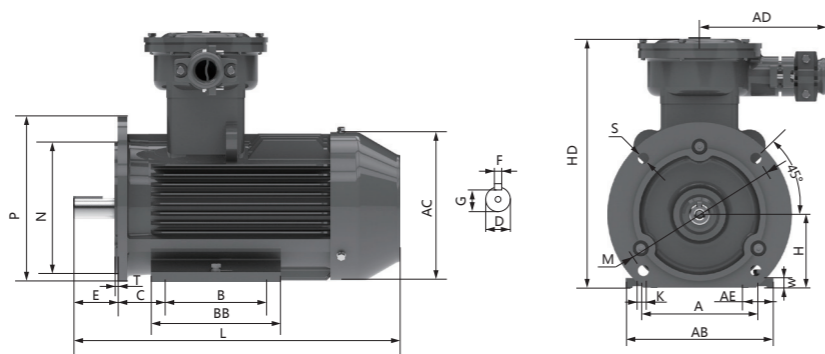
◆ B3 外形及安装尺寸 Dimensions Foot Mount B3

机座号 FRAME SIZE	极数 POLES	A	B	C	D	E	F	G	H	P	K	AB	BB	AC	AE	AD	HD	L
80M	2-8	125	100	50	19	40	6	15.5	80	10	10	160	130	167	34	178	310	340
90S	2-8	140	100	56	24	50	8	20	90	14	10	176	130	184	36	178	335	390
90L	2-8	140	125	56	24	50	8	20	90	14	10	176	155	184	36	178	335	420
100L	2-8	160	140	63	28	60	8	24	100	14	12	200	176	207	43	178	360	470
112M	2-8	190	140	70	28	60	8	24	112	16	12	240	180	221	50	193	375	520
132S	2-8	216	140	89	38	80	10	33	132	18	12	276	190	260	60	193	420	530
132M	2-8	216	178	89	38	80	10	33	132	18	12	276	230	260	60	193	420	570
160M	2-8	254	210	108	42	110	12	37	160	25	14.5	324	258	315	70	210	500	700
160L	2-8	254	254	108	42	110	12	37	160	25	14.5	324	302	315	70	210	500	730
180M	2-8	279	241	121	48	110	14	42.5	180	22	15	349	311	356	70	210	535	790
180L	2-8	279	279	121	48	110	14	42.5	180	22	15	349	349	356	70	210	535	810
200L	2-8	318	305	133	55	110	16	49	200	25	18.5	388	366	398	70	240	612	850
225S	4, 8	356	286	149	60	140	18	53	225	28	18.5	431	355	446	75	240	665	900
225M	2	356	311	149	55	110	16	49	225	28	18.5	431	380	446	75	240	665	900
225M	4-8	356	311	149	60	140	18	53	225	28	18.5	431	380	446	75	240	665	930
250M	2	406	349	168	60	140	18	53	250	30	24	486	420	495	80	279	730	990
250M	4-8	406	349	168	65	140	18	58	250	30	24	486	420	495	80	279	730	990
280S	2	457	368	190	65	140	18	58	280	35	24	542	438	547	85	279	790	1020
280S	4-8	457	368	190	75	140	20	67.5	280	35	24	542	438	547	85	279	790	1030
280M	2	457	419	190	65	140	18	58	280	35	24	542	489	547	85	279	790	1070
280M	4-8	457	419	190	75	140	20	67.5	280	35	24	542	489	547	85	279	790	1080
315S	2	508	406	216	65	140	18	58	315	45	28	628	550	620	120	330	980	1210
315S	4-10	508	406	216	80	170	22	71	315	45	28	628	550	620	120	330	980	1290
315M	2	508	457	216	65	140	18	58	315	45	28	628	680	620	120	330	980	1330
315M	4-10	508	457	216	80	170	22	71	315	45	28	628	680	620	120	330	980	1410
315L	2	508	508	216	65	140	18	58	315	45	28	628	680	620	120	330	980	1330
315L	4-10	508	508	216	80	170	22	71	315	45	28	628	680	620	120	330	980	1410
355S	2	610	500	254	75	140	20	67.5	355	52	28	726	636	700	116	330	1120	1490
355S	4-10	610	500	254	95	170	25	86	355	52	28	726	636	700	116	330	1120	1520
355M	2	610	560	254	75	140	20	67.5	355	52	28	726	696	700	116	330	1120	1570
355M	4-10	610	560	254	95	170	25	86	355	52	28	726	696	700	116	330	1120	1600
355L	2	610	630	254	75	140	20	67.5	355	52	28	726	766	700	116	330	1120	1680
355L	4-10	610	630	254	95	170	25	86	355	52	28	726	766	700	116	330	1120	1710

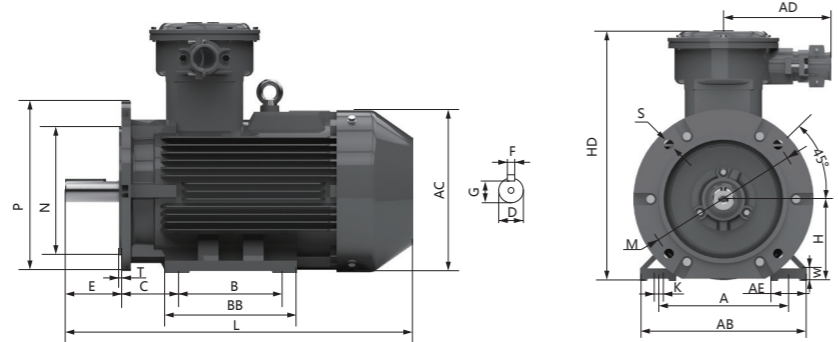
(此外形图用于 YB3 防爆等级为 Exd I Mb、Exd II BT4Gb, YBX3 防爆等级为 Exd II BT4Gb, YBK3 防爆等级为 Exd I Mb)

◆ B35 外形及安装尺寸 Dimensions Foot-Flange Mount B35

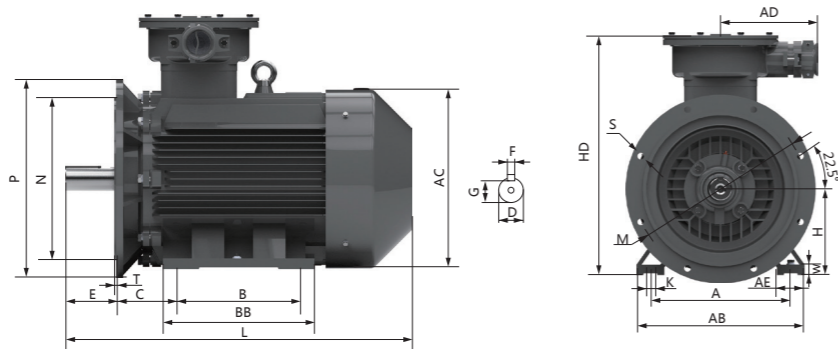
YB3-80~132



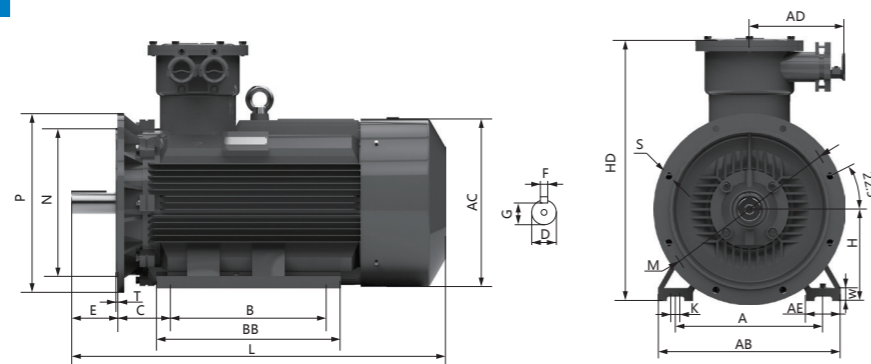
YB3-160~200



YB3-225~280



YB3-315~355



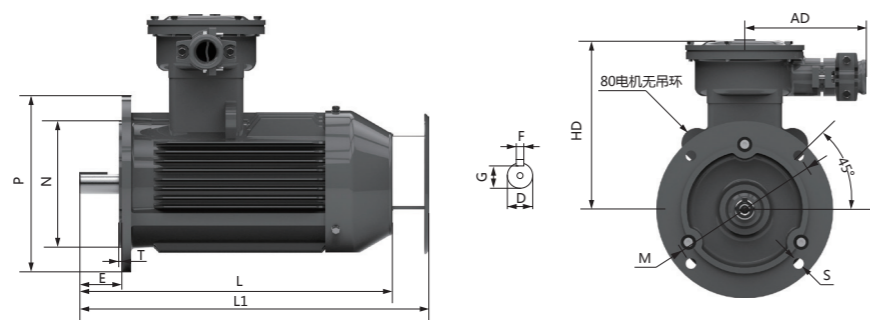
◆ B35 外形及安装尺寸 Dimensions Foot-Flange Mount B35

机座号 FRAME SIZE	极数 POLES	A	B	C	D	E	F	G	H	K	M	N	S	T	P	W	AB	BB	AC	AD	AE	HD	L
80M	2-8	125	100	50	19	40	6	15.5	80	10	165	130	12	3.5	200	10	160	130	167	178	34	310	340
90S	2-8	140	100	56	24	50	8	20	90	10	165	130	12	3.5	200	14	176	130	184	178	36	335	390
90L	2-8	140	125	56	24	50	8	20	90	10	165	130	12	3.5	200	14	176	155	184	178	36	335	420
100L	2-8	160	140	63	28	60	8	24	100	12	215	180	15	4	250	14	200	176	207	178	43	360	470
112M	2-8	190	140	70	28	60	8	24	112	12	215	180	15	4	250	16	240	180	221	193	50	375	520
132S	2-8	216	140	89	38	80	10	33	132	12	265	230	15	4	300	18	276	190	260	193	60	420	530
132M	2-8	216	178	89	38	80	10	33	132	12	265	230	15	4	300	18	276	230	260	193	60	420	570
160M	2-8	254	210	108	42	110	12	37	160	14.5	300	250	19	5	350	25	324	258	315	210	70	500	700
160L	2-8	254	254	108	42	110	12	37	160	14.5	300	250	19	5	350	25	324	302	315	210	70	500	730
180M	2-8	279	241	121	48	110	14	42.5	180	15	300	250	19	5	350	22	349	311	356	210	70	535	790
180L	2-8	279	279	121	48	110	14	42.5	180	15	300	250	19	5	350	22	349	349	356	210	70	535	810
200L	2-8	318	305	133	55	110	16	49	200	19	350	300	19	5	400	25	388	366	398	240	70	612	850
225S	4, 8	356	286	149	60	140	18	53	225	18.5	400	350	19	5	450	28	431	355	446	240	75	665	900
225M	2	356	311	149	55	110	16	49	225	18.5	400	350	19	5	450	28	431	380	446	240	75	665	900
225M	4-8	356	311	149	60	140	18	53	225	18.5	400	350	19	5	450	28	431	380	446	240	75	665	930
250M	2	406	349	168	60	140	18	53	250	24	500	450	19	5	550	30	486	420	495	279	80	730	990
250M	4-8	406	349	168	65	140	18	58	250	24	500	450	19	5	550	30	486	420	495	279	80	730	990
280S	2	457	368	190	65	140	18	58	280	24	500	450	19	5	550	35	542	438	547	279	85	790	1020
280S	4-8	457	368	190	75	140	20	67.5	280	24	500	450	19	5	550	35	542	438	547	279	85	790	1030
280M	2	457	419	190	65	140	18	58	280	24	500	450	19	5	550	35	542	489	547	279	85	790	1070
280M	4-8	457	419	190	75	140	20	67.5	280	24	500	450	19	5	550	35	542	489	547	279	85	790	1080
315S	2	508	406	216	65	140	18	58	315	28	600	550	24	6	660	45	628	550	620	330	120	980	1210
315S	4-10	508	406	216	80	170	22	71	315	28	600	550	24	6	660	45	628	550	620	330	120	980	1290
315M	2	508	457	216	65	140	18	58	315	28	600	550	24	6	660	45	628	680	620	330	120	980	1330
315M	4-10	508	457	216	80	170	22	71	315	28	600	550	24	6	660	45	628	680	620	330	120	980	1410
315L	2	508	508	216	65	140	18	58	315	28	600	550	24	6	660	45	628	680	620	330	120	980	1330
315L	4-10	508	508	216	80	170	22	71	315	28	600	550	24	6	660	45	628	680	620	330	120	980	1410
355S	2	610	500	254	75	140	20	67.5	355	28	740	680	24	6	800	52	726	636	700	330	116	1120	1490
355S	4-10	610	500	254	95	170	25	86	355	28	740	680	24	6	800	52	726	636	700	330	116	1120	1520
355M	2	610	560	254	75	140	20	67.5	355	28	740	680	24	6	800	52	726	696	700	330	116	1120	1570
355M	4-10	610	560	254	95	170	25	86	355	28	740	680	24	6	800	52	726	696	700	330	116	1120	1600
355L	2	610	630	254	75	140	20	67.5	355	28	740	680	24	6	800	52	726	766	700	330	116	1120	1680
355L	4-10	610	630	254	95	170	25	86	355	28	740	680	24	6	800	52	726	766	700	330	116	1120	1710

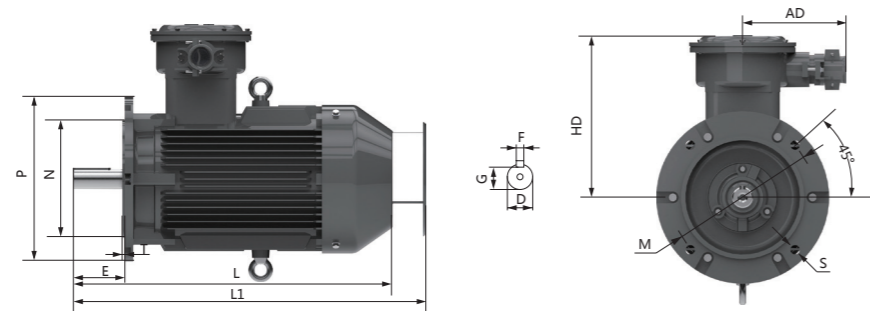
(此外形图用于 YB3 防爆等级为 Exd I Mb、Exd II BT4Gb, YBX3 防爆等级为 Exd II BT4Gb, YBK3 防爆等级为 Exd I Mb)

◆ B5&V1 外形及安装尺寸 Dimensions Flange Mount B5&V1

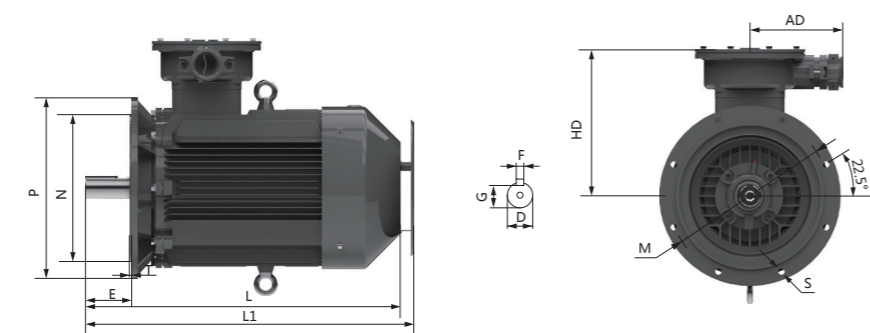
YB3-80~132



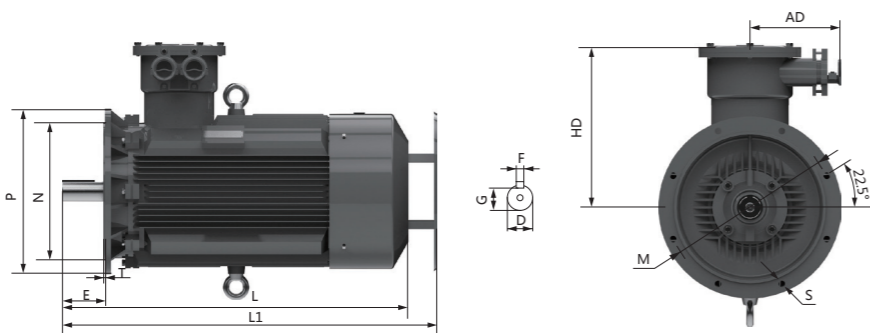
YB3-160~200



YB3-225~280



YB3-315~355



◆ B5&V1 外形及安装尺寸 Dimensions Flange Mount B5&V1

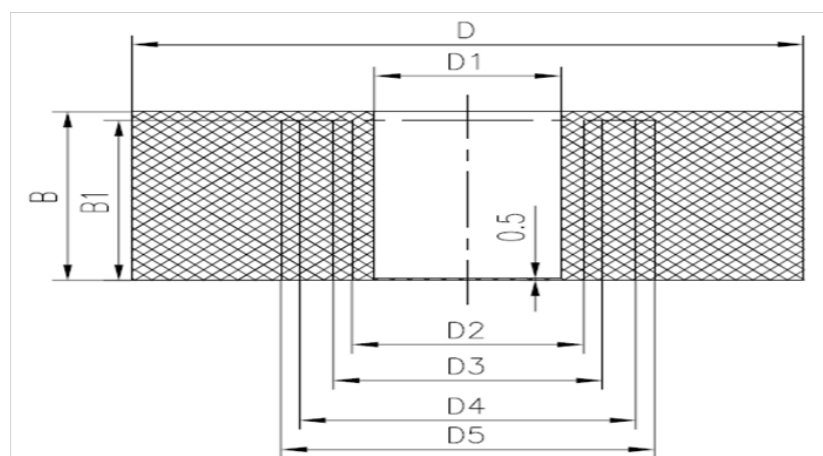
机座号 FRAME SIZE	极数 POLES	D	E	F	G	M	N	S	T	P	AD	HD	L(B5)	L1(V1)
80M	2-8	19	40	6	15.5	165	130	12	3.5	200	178	230	340	440
90S	2-8	24	50	8	20	165	130	12	3.5	200	178	245	390	490
90L	2-8	24	50	8	20	165	130	12	3.5	200	178	245	420	520
100L	2-8	28	60	8	24	215	180	15	4	250	178	260	470	570
112M	2-8	28	60	8	24	215	180	15	4	250	193	245	520	620
132S	2-8	38	80	10	33	265	230	15	4	300	193	288	530	630
132M	2-8	38	80	10	33	265	230	15	4	300	193	288	570	670
160M	2-8	42	110	12	37	300	250	19	5	350	210	340	700	800
160L	2-8	42	110	12	37	300	250	19	5	350	210	340	730	830
180M	2-8	48	110	14	42.5	300	250	19	5	350	210	355	790	890
180L	2-8	48	110	14	42.5	300	250	19	5	350	210	355	810	910
200L	2-8	55	110	16	49	350	300	19	5	400	240	412	850	950
225S	4、8	60	140	18	53	400	350	19	5	450	240	440	900	1000
225M	2	55	110	16	49	400	350	19	5	450	240	440	900	1000
225M	4-8	60	140	18	53	400	350	19	5	450	240	440	930	1030
250M	2	60	140	18	53	500	450	19	5	550	279	480	990	1090
250M	4-8	65	140	18	58	500	450	19	5	550	279	480	990	1090
280S	2	65	140	18	58	500	450	19	5	550	279	510	1020	1120
280S	4-8	75	140	20	67.5	500	450	19	5	550	279	510	1030	1130
280M	2	65	140	18	58	500	450	19	5	550	279	510	1070	1170
280M	4-8	75	140	20	67.5	500	450	19	5	550	279	510	1080	1180
315S	2	65	140	18	58	600	550	24	6	660	330	665	-	1310
315S	4-10	80	170	22	71	600	550	24	6	660	330	665	-	1390
315M	2	65	140	18	58	600	550	24	6	660	330	665	-	1430
315M	4-10	80	170	22	71	600	550	24	6	660	330	665	-	1510
315L	2	65	140	18	58	600	550	24	6	660	330	665	-	1430
315L	4-10	80	170	22	71	600	550	24	6	660	330	665	-	1510
355S	2	75	140	20	67.5	740	680	24	6	800	330	765	-	1590
355S	4-10	95	170	25	86	740	680	24	6	800	330	765	-	1620
355M	2	75	140	20	67.5	740	680	24	6	800	330	765	-	1670
355M	4-10	95	170	25	86	740	680	24	6	800	330	765	-	1700
355L	2	75	140	20	67.5	740	680	24	6	800	330	765	-	1780
355L	4-10	95	170	25	86	740	680	24	6	800	330	765	-	1810

(此外形图用于 YB3 防爆等级为 Exd I Mb、Exd II BT4Gb, YBK3 防爆等级为 Exd II BT4Gb, YBK3 防爆等级为 Exd I Mb)

钢管布线的尺寸 (适用于隔爆型电动机 YB3、YBX3、YBBP)

机座号	钢管布线尺寸
80-132	M30X2
160-180	M36X2
200-225	M48X2
250-280	M64X2
315-355	2XM64X2

密封圈尺寸 (适用于隔爆型电动机 YB3、YBX3、YBBP、YBK3)



机座号	尺寸							
	D1	D2	D3	D4	D5	D	B1	B
80-132	φ14	φ20	φ25			φ42	24	26
160-180	φ14	φ20	φ26	φ31	φ35	φ58	24	26
200-225	φ20	φ26	φ32	φ38	φ42	φ72	30	32
250-355	φ25	φ31	φ36	φ45	φ50	φ90	36	38

说明：机座号为 315、355 电机有两个出线口

YB3 轴承型号

机座号	极数	轴伸端	非轴伸端
80	全部	6204-2Z	6204-2Z
90	全部	6205-2Z	6205-2Z
100	全部	6206-2Z	6206-2Z
112	全部	6206-2Z	6206-2Z
132	全部	6208-2Z	6208-2Z
160	2P	6209-2Z	6209-2Z
160	4 ~ 8P	6309-2Z	6209-2Z
180	2P	6211	6211
180	4 ~ 8P	6311	6211
200	2P	6212	6212
200	4 ~ 8P	6312	6212
225	2P	6312	6312
225	4 ~ 8P	6313	6312
250	2P	6313	6313
250	4 ~ 8P	6314	6313
280	2P	6314	6314
280	4 ~ 8P	6317	6314
315	2P	6316	6316
315	4 ~ 10P	6319	6319
355	2P	6319	6319
355	4 ~ 10P	6322	6322

YBX3 高效率隔爆型三相异步电动机

YBX3 Series High Efficiency Flameproof 3-Phase Asynchronous Motor



产品概述 Product Introduction

YBX3 系列隔爆型高效率三相异步电动机符合 GB18613-2012《中小型三相异步电动机能效限定值及能效等级》中规定的二级效率标准，电动机按照 GB3836.2 的规定制成隔爆型，其防爆标志为 Exd II BT4Gb、Exd II CT4Gb。适用于 II 类 A、B 级 T1 ~ T4 组可燃性气体或蒸汽与空气形成的爆炸性混合物的场所内的设备上，作为一般动力设备使用。

Exd II BT4Gb 执行标准为 JB/T12628-2016

Exd II CT4Gb 执行标准为 Q/1082SHL055-2017

YBX3 series flameproof three-phase asynchronous motor is in line with the third efficiency standard in the provisions of GB18613-2012 "Minimum allowable values of energy efficiency and energy efficiency grades for small and medium three-phase asynchronous motors". According to GB3836.2, the motor are made into a flameproof type. The explosion protection marks are Exd II BT4Gb and Exd II CT4Gb. It is applicable to the equipment in the places where the inflammable gas or explosive mixture of steam and air in class A and B groups T1 ~ T4, Used as general power equipment.

Exd BT4Gb execution standard is JB/ t12628-2016

Exd CT4Gb executive standard is Q/ 1082shl055-2017

详细说明 Specification

◆现场条件

YBX3 系列电动机标准工作条件为海拔不超过 1000m，环境温度最低为 -15℃，环境温度最高为 40℃

◆温升和绝缘

电动机按 F 级绝缘设计 (155℃)，按 B 级绝缘考核 (80K)，电动机的使用寿命和可靠性得到保证。

◆冷却和通风

标准冷却方式为全封闭自扇冷。标准电机装有辅流式塑料风扇。符合 IEC60034-6 中 IC411 的规定。

◆防护等级 protection class

电动机的防护等级为 IP55，可用于含尘或潮湿环境。

◆电压、频率

机座号 80-100 电压为 380V

机座号 112-355 电压为 380V、660V、380/660V T

◆额定频率为 50HZ

在供电电压偏离额定电压 ±5% 的情况下，仍能良好运行。

◆接线盒位置

接线盒在机座上方可以四个方向进线，进线分为橡胶套电缆和钢管布线两种。

◆质量保证

从产品设计到产品出厂，遵循 ISO9001 质量认证体系，严格遵守质量程序。

◆ Site conditions

The standard working condition of YBX3 series motor is no more than 1000m above sea level, the lowest ambient temperature is -15 °C , and the highest ambient temperature is 40°C .

◆ Temperature rise and insulation

F class (155 °C) insulation system and temperature rise class B (80K) are adopted to the motor. The service life and reliability of the motor are guaranteed.

◆ Cooling and ventilation

The standard cooling method is fully enclosed self-fan cooling standard motor equipped with auxiliary flow plastic fan in accordance with the provisions of IC411 in iec60034-6.

◆ Protection class

The standard protection class of motor is IP55, can be used in dusty or humid environment

◆ Voltage 、 frequency

Frame size 80-100 ,the voltage is 380V

Frame size 112-355, the voltage is 380V 660V 380/660v

◆ Rated frequency is 50HZ

Under the condition that the supply voltage deviates from the rated voltage by 5%, it can still run well.

◆ Terminal box position

Terminal box in the upper part of the frame can be four directions into the line, the line is divided into rubber cable and steel pipe wiring two kinds

◆ Quality guarantee

From the product design to the delivery of products, follow the ISO9001 quality certification system, strict compliance with quality procedures.

技术数据 Technical Data

2极 – 同步转速 3000r/min 50HZ
2pole-3000rpm synchronous speed 50HZ

型号 Motor Type	额定功率 Rated Output KW	额定转速 Rated Speed rpm	额定电流 IFL 380V A	效率 EFF %	功率因数 Power Factor cosφ	堵转转矩		堵转电流 额定电流 IST/IFL	噪音 Noise Level LW dB (A)	重量 Net Weight kg
						额定转矩 TST/TFL	最大转矩 TM/TFL			
YBX3-80M1-2	0.75	2855	1.7	80.7%	0.82	2.3	2.3	7	62	27
YBX3-80M2-2	1.1	2855	2.4	82.7%	0.83	2.2	2.3	7.3	62	28
YBX3-90S-2	1.5	2875	3.2	84.2%	0.84	2.2	2.3	7.6	67	34
YBX3-90L-2	2.2	2875	4.6	85.9%	0.85	2.2	2.3	7.6	67	40
YBX3-100L-2	3	2880	6.0	87.1%	0.87	2.2	2.3	7.8	74	56
YBX3-112M-2	4	2900	7.8	88.1%	0.88	2.2	2.3	8.3	77	68
YBX3-132S1-2	5.5	2900	10.6	89.2%	0.88	2	2.3	8.3	79	90
YBX3-132S2-2	7.5	2900	14.4	90.1%	0.88	2	2.3	7.9	79	100
YBX3-160M1-2	11	2940	20.6	91.2%	0.89	2	2.3	8.1	81	145
YBX3-160M2-2	15	2940	27.9	91.9%	0.89	2	2.3	8.1	81	158
YBX3-160L-2	18.5	2940	34.2	92.4%	0.89	2	2.3	8.2	81	177
YBX3-180M-2	22	2955	40.5	92.7%	0.89	2	2.3	8.2	83	220
YBX3-200L1-2	30	2965	54.9	93.3%	0.89	2	2.3	7.6	84	280
YBX3-200L2-2	37	2965	67.4	93.7%	0.89	2	2.3	7.6	84	300
YBX3-225M-2	45	2970	80.8	94.0%	0.9	2	2.3	7.7	86	380
YBX3-250M-2	55	2975	98.5	94.3%	0.9	2	2.3	7.7	89	500
YBX3-280S-2	75	2975	133.7	94.7%	0.9	1.8	2.3	7.1	91	640
YBX3-280M-2	90	2975	159.9	95.0%	0.9	1.8	2.3	7.1	91	680
YBX3-315S-2	110	2980	195.1	95.2%	0.9	1.8	2.3	7.1	92	1080
YBX3-315M-2	132	2980	222.8	95.4%	0.9	1.8	2.3	7.1	92	1150
YBX3-315L1-2	160	2980	279.4	95.6%	0.91	1.8	2.3	7.2	92	1250
YBX3-315L2-2	200	2980	348.6	95.8%	0.91	1.8	2.2	7.2	92	1342
YBX3-355M1-2	220	2980	383.4	95.8%	0.91	1.6	2.2	7.2	100	1560
YBX3-355M2-2	250	2980	435.7	95.8%	0.91	1.6	2.2	7.2	100	1720
YBX3-355L1-2	280	2980	488.0	95.8%	0.91	1.6	2.2	7.2	100	1820
YBX3-355L2-2	315	2980	549.0	95.8%	0.91	1.6	2.2	7.2	100	1960

技术数据 Technical Data

4极 – 同步转速 1500r/min 50HZ
4pole-1500rpm synchronous speed 50HZ

型号 Motor Type	额定功率 Rated Output KW	额定转速 Rated Speed rpm	额定电流 IFL 380V A	效率 EFF %	功率因数 Power Factor cosφ	堵转转矩		堵转电流 额定电流 IST/IFL	噪音 Noise Level LW dB (A)	重量 Net Weight kg
						额定转矩 TST/TFL	最大转矩 TM/TFL			
YBX3-80M2-4	0.75	1400	1.8	82.5%	0.75	2.3	2.3	6.6	56	32
YBX3-90S-4	1.1	1425	2.6	84.1%	0.76	2.3	2.3	6.8	59	37
YBX3-90L-4	1.5	1425	3.5	85.3%	0.77	2.3	2.3	7	59	41
YBX3-100L1-4	2.2	1440	4.8	86.7%	0.81	2.3	2.3	7.6	64	52
YBX3-100L2-4	3	1440	6.3	87.7%	0.82	2.3	2.3	7.6	64	57
YBX3-112M-4	4	1450	8.4	88.6%	0.82	2.2	2.3	7.8	65	74
YBX3-132S-4	5.5	1455	11.2	89.6%	0.83	2	2.3	7.9	71	94
YBX3-132M-4	7.5	1455	15.0	90.4%	0.84	2	2.3	7.5	71	110
YBX3-160M-4	11	1465	21.5	91.4%	0.85	2.2	2.3	7.7	73	156
YBX3-160L-4	15	1465	28.8	92.1%	0.86	2.2	2.3	7.8	73	185
YBX3-180M-4	18.5	1470	35.3	92.6%	0.86	2	2.3	7.8	76	200
YBX3-180L-4	22	1475	41.8	93.0%	0.86	2	2.3	7.8	76	240
YBX3-200L-4	30	1475	56.6	93.6%	0.86	2	2.3	7.3	76	300
YBX3-225S-4	37	1480	69.6	93.9%	0.86	2	2.3	7.4	78	380
YBX3-225M-4	45	1480	84.4	94.2%	0.86	2	2.3	7.4	78	400
YBX3-250M-4	55	1480	102.7	94.6%	0.86	2.2	2.3	7.4	79	520
YBX3-280S-4	75	1485	136.3	95.0%	0.88	2	2.3	6.9	80	705
YBX3-280M-4	90	1485	163.2	95.2%	0.88	2	2.3	6.9	80	740
YBX3-315S-4	110	1485	196.8	95.4%	0.89	2	2.2	7	88	1025
YBX3-315M-4	132	1485	235.7	95.6%	0.89	2	2.2	7	88	1154
YBX3-315L1-4	160	1485	285.1	95.8%	0.89	2	2.2	7.1	88	1220
YBX3-315L2-4	200	1485	351.7	96.0%	0.9	2	2.2	7.1	88	1315
YBX3-355M1-4	220	1490	386.9	96.0%	0.9	2.0	2.2	6.9	95	1714
YBX3-355M2-4	250	1490	439.6	96.0%	0.9	2.0	2.2	6.9	95	1790
YBX3-355L1-4	280	1490	492.4	96.0%	0.9	2.0	2.2	6.9	95	1970
YBX3-355L2-4	315	1490	553.9	96.0%	0.9	2.0	2.2	6.9	95	2020

技术数据 Technical Data

6极 – 同步转速 1000r/min 50HZ
6pole-1000rpm synchronous speed 50HZ

型号 Motor Type	额定功率 Rated Output KW	额定转速 Rated Speed rpm	额定电流 IFL 380V A	效率 EFF %	功率因数 Power Factor cosφ	堵转转矩		堵转电流		噪音 Noise Level LW dB (A)	重量 Net Weight kg
						额定转矩 TST/TFL	最大转矩 TM/TFL	额定电流 IST/IFL	堵转电流		
YBX3-90S-6	0.75	935	2.0	78.9%	0.71	2.0	2.1	6	57	39	
YBX3-90L-6	1.1	940	2.8	81.0%	0.73	2.0	2.1	6	57	47	
YBX3-100L-6	1.5	945	3.8	82.5%	0.73	2.0	2.1	6.5	61	52	
YBX3-112M-6	2.2	950	5.4	84.3%	0.74	2.0	2.1	6.6	65	68	
YBX3-132S-6	3	960	7.2	85.6%	0.74	2.0	2.1	6.8	69	93	
YBX3-132M1-6	4	960	9.5	86.8%	0.74	2.0	2.1	6.8	69	96	
YBX3-132M2-6	5.5	960	12.7	88.0%	0.75	2.0	2.1	7	69	104	
YBX3-160M-6	7.5	970	16.2	89.1%	0.79	2.0	2.1	7	73	158	
YBX3-160L-6	11	970	23.1	90.3%	0.80	2.0	2.1	7.2	73	168	
YBX3-180L-6	15	975	30.9	91.2%	0.81	2.0	2.1	7.3	73	214	
YBX3-200L1-6	18.5	975	37.8	91.7%	0.81	2.0	2.1	7.3	73	260	
YBX3-200L2-6	22	975	44.8	92.2%	0.81	2.0	2.1	7.4	73	293	
YBX3-225M-6	30	985	59.1	92.9%	0.83	2.0	2.1	6.9	74	360	
YBX3-250M-6	37	985	71.7	93.3%	0.84	2.0	2.1	7.1	76	520	
YBX3-280S-6	45	985	85.8	93.7%	0.85	2.0	2.0	7.3	78	594	
YBX3-280M-6	55	985	103.3	94.1%	0.86	2.0	2.0	7.3	78	658	
YBX3-315S-6	75	990	143.4	94.6%	0.84	2.0	2.0	6.6	83	960	
YBX3-315M-6	90	990	169.5	94.9%	0.85	2.0	2.0	6.7	83	1090	
YBX3-315L1-6	110	990	206.8	95.1%	0.85	2.0	2.0	6.7	83	1130	
YBX3-315L2-6	132	990	244.5	95.4%	0.86	2.0	2.0	6.8	83	1250	
YBX3-355S-6	160	990	295.7	95.6%	0.86	1.8	2.0	6.7	85	1640	
YBX3-355M1-6	185	990	341.5	95.7%	0.86	1.8	2.0	6.8	85	1765	
YBX3-355M2-6	200	990	364.6	95.8%	0.87	1.8	2.0	6.8	85	1830	
YBX3-355L1-6	220	990	401.0	95.8%	0.87	1.8	2.0	6.8	85	1989	
YBX3-355L2-6	250	990	455.7	95.8%	0.87	1.8	2.0	6.8	85	2123	

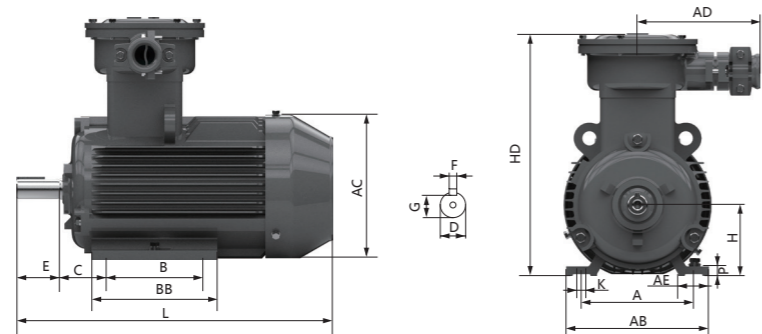
技术数据 Technical Data

8极 – 同步转速 750r/min 50HZ
8pole-750rpm synchronous speed 50HZ

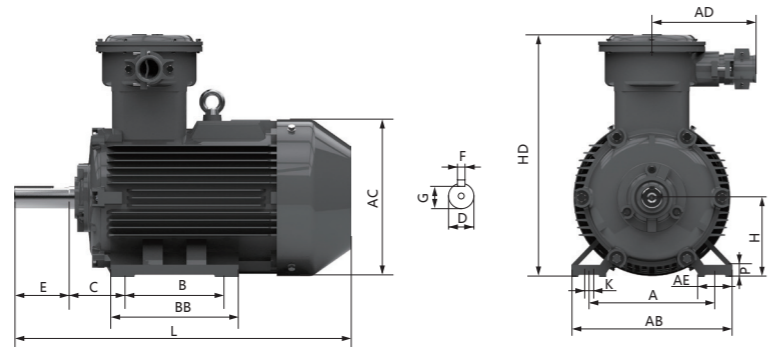
型号 Motor Type	额定功率 Rated Output KW	额定转速 Rated Speed rpm	额定电流 IFL 380V A	效率 EFF %	功率因数 Power Factor cosφ	堵转转矩		堵转电流		噪音 Noise Level LW dB (A)	重量 Net Weight kg
						额定转矩 TST/TFL	最大转矩 TM/TFL	额定电流 IST/IFL	堵转电流		
YBX3-100L1-8	0.75	690	2.3	75.0%	0.67	2	2.2	3.5	59	64	
YBX3-100L2-8	1.1	690	3.1	77.7%	0.69	2.2	2.4	3.6	59	66	
YBX3-112M-8	1.5	690	4.1	79.7%	0.70	2.4	2.6	3.9	61	74	
YBX3-132S-8	2.2	710	5.7	81.9%	0.71	2.3	2.5	4.3	64	89	
YBX3-132M-8	3	710	7.5	83.5%	0.73	2.2	2.4	4.4	64	94	
YBX3-160M1-8	4	720	9.8	84.8%	0.73	2.2	2.5	4.4	68	139	
YBX3-160M2-8	5.5	720	13.1	86.2%	0.74	2.2	2.4	5	68	148	
YBX3-160L-8	7.5	720	17.4	87.3%	0.75	2.1	2.3	5.7	68	175	
YBX3-180L-8	11	730	25.2	88.6%	0.75	2.3	2.5	5.6	70	230	
YBX3-200L-8	15	730	33.5	89.6%	0.76	2.1	2.4	5.5	73	290	
YBX3-225S-8	18.5	730	41.0	90.1%	0.76	2.2	2.6	5.6	73	330	
YBX3-225M-8	22	740	47.3	90.6%	0.78	2.1	2.4	5.4	73	350	
YBX3-250M-8	30	740	63.2	91.3%	0.79	2.2	2.5	5.3	75	500	
YBX3-280S-8	37	740	77.5	91.8%	0.79	2.3	2.7	5.6	76	600	
YBX3-280M-8	45	740	93.9	92.2%	0.79	2.1	2.8	5.2	76	630	
YBX3-315S-8	55	740	111.5	92.5%	0.81	1.9	2.5	5.7	82	930	
YBX3-315M-8	75	740	151.1	93.1%	0.81	2.1	2.8	5.9	82	1195	
YBX3-315L1-8	90	740	178.5	93.4%	0.82	2.3	2.9	6.2	82	1300	
YBX3-315L2-8	110	740	217.5	93.7%	0.82	2.2	2.8	6	82	1320	
YBX3-355S-8	132	740	263.4	94.0%	0.81	1.6	2.0	5.4	90	1724	
YBX3-355M-8	160	740	318.3	94.3%	0.81	1.6	2.0	5.4	90	1860	
YBX3-355L1-8	185	740	368.0	94.3%	0.81	1.6	2.0	5.4	90	1980	
YBX3-355L2-8	200	740	396.6	94.6%	0.81	1.6	2.0	5.4	90	2120	

◆ B3 外形及安装尺寸 Dimensions Foot Mount B3

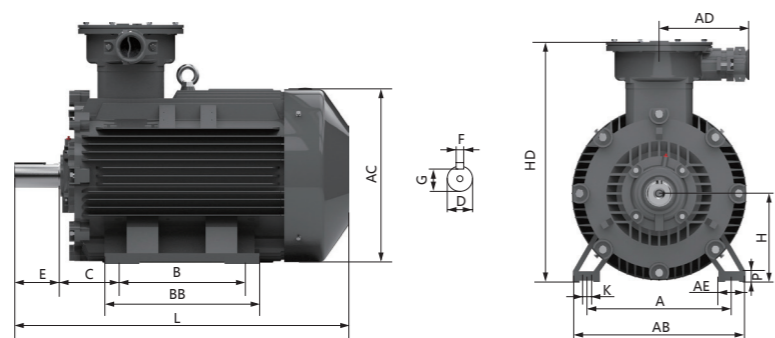
YBX3-80~132



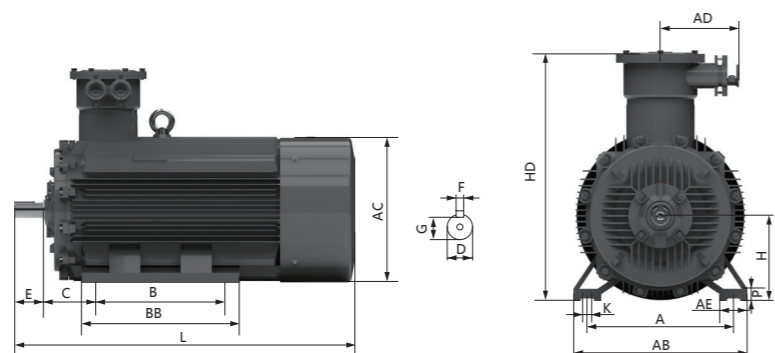
YBX3-160~200



YBX3-225~280



YBX3-315~355



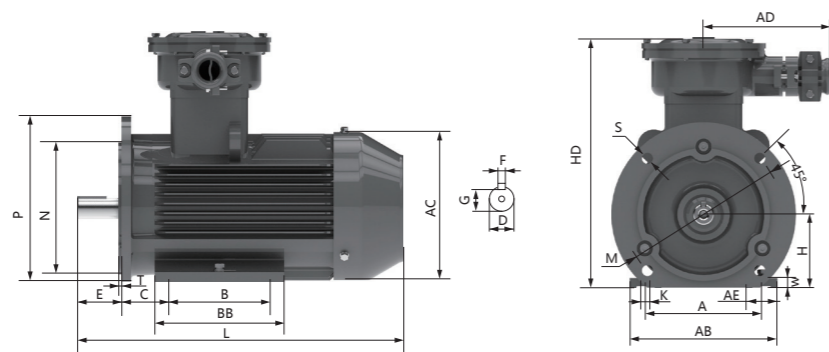
◆ B3 外形及安装尺寸 Dimensions Foot Mount B3

机座号 FRAME SIZE	极数 POLES	A	B	C	D	E	F	G	H	P	K	AB	BB	AC	AE	AD	HD	L
80M	2-8	125	100	50	19	40	6	15.5	80	10	10	160	130	167	34	178	310	340
90S	2-8	140	100	56	24	50	8	20	90	14	10	176	130	184	36	178	335	390
90L	2-8	140	125	56	24	50	8	20	90	14	10	176	155	184	36	178	335	420
100L	2-8	160	140	63	28	60	8	24	100	14	12	200	176	207	43	178	360	470
112M	2-8	190	140	70	28	60	8	24	112	16	12	240	180	221	50	193	375	520
132S	2-8	216	140	89	38	80	10	33	132	18	12	276	190	260	60	193	420	530
132M	2-8	216	178	89	38	80	10	33	132	18	12	276	230	260	60	193	420	570
160M	2-8	254	210	108	42	110	12	37	160	25	14.5	324	258	315	70	210	500	700
160L	2-8	254	254	108	42	110	12	37	160	25	14.5	324	302	315	70	210	500	730
180M	2-8	279	241	121	48	110	14	42.5	180	22	15	349	311	356	70	210	535	790
180L	2-8	279	279	121	48	110	14	42.5	180	22	15	349	349	356	70	210	535	810
200L	2-8	318	305	133	55	110	16	49	200	25	18.5	388	366	398	70	240	612	850
225S	4, 8	356	286	149	60	140	18	53	225	28	18.5	431	355	446	75	240	665	900
225M	2	356	311	149	55	110	16	49	225	28	18.5	431	380	446	75	240	665	900
225M	4-8	356	311	149	60	140	18	53	225	28	18.5	431	380	446	75	240	665	930
250M	2	406	349	168	60	140	18	53	250	30	24	486	420	495	80	279	730	990
250M	4-8	406	349	168	65	140	18	58	250	30	24	486	420	495	80	279	730	990
280S	2	457	368	190	65	140	18	58	280	35	24	542	438	547	85	279	790	1020
280S	4-8	457	368	190	75	140	20	67.5	280	35	24	542	438	547	85	279	790	1030
280M	2	457	419	190	65	140	18	58	280	35	24	542	489	547	85	279	790	1070
280M	4-8	457	419	190	75	140	20	67.5	280	35	24	542	489	547	85	279	790	1080
315S	2	508	406	216	65	140	18	58	315	45	28	628	550	620	120	330	980	1210
315S	4-10	508	406	216	80	170	22	71	315	45	28	628	550	620	120	330	980	1290
315M	2	508	457	216	65	140	18	58	315	45	28	628	680	620	120	330	980	1330
315M	4-10	508	457	216	80	170	22	71	315	45	28	628	680	620	120	330	980	1410
315L	2	508	508	216	65	140	18	58	315	45	28	628	680	620	120	330	980	1330
315L	4-10	508	508	216	80	170	22	71	315	45	28	628	680	620	120	330	980	1410
355S	2	610	500	254	75	140	20	67.5	355	52	28	726	636	700	116	330	1120	1490
355S	4-10	610	500	254	95	170	25	86	355	52	28	726	636	700	116	330	1120	1520
355M	2	610	560	254	75	140	20	67.5	355	52	28	726	696	700	116	330	1120	1570
355M	4-10	610	560	254	95	170	25	86	355	52	28	726	696	700	116	330	1120	1600
355L	2	610	630	254	75	140	20	67.5	355	52	28	726	766	700	116	330	1120	1680
355L	4-10	610	630	254	95	170	25	86	355	52	28	726	766	700	116	330	1120	1710

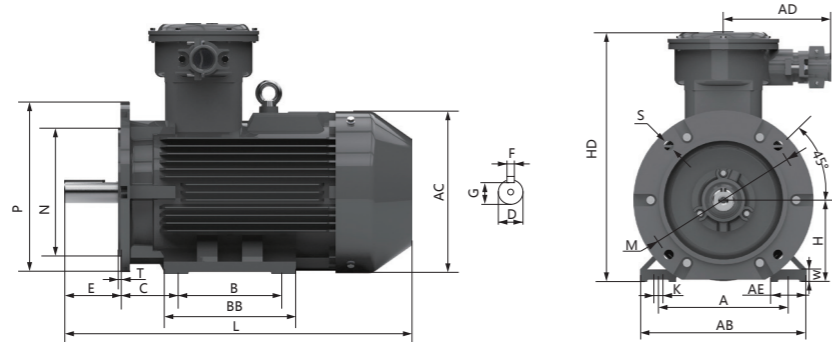
(此外形图用于YB3 防爆等级为 Exd I Mb、Exd II BT4Gb, YBX3 防爆等级为 Exd II BT4Gb, YBK3 防爆等级为 Exd I Mb)

◆ B35 外形及安装尺寸 Dimensions Foot-Flange Mount B35

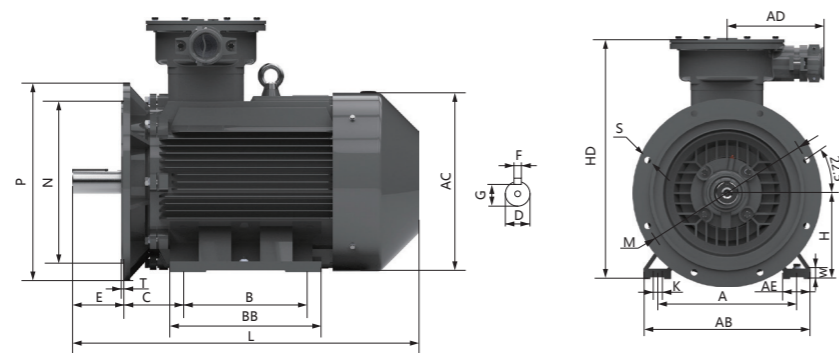
YBX3-80~132



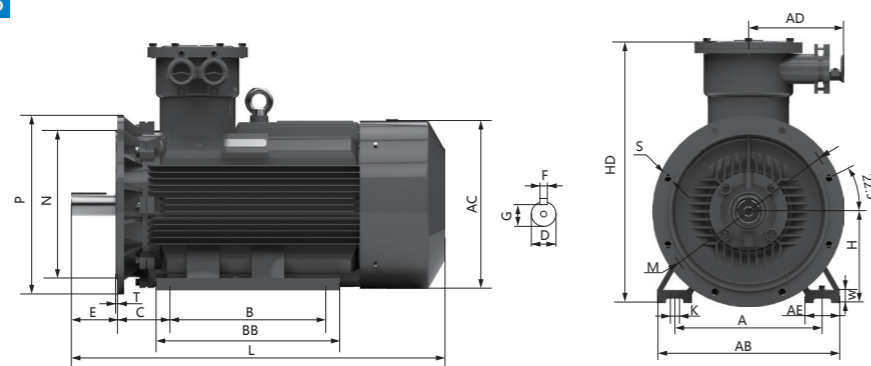
YBX3-160~200



YBX3-225~280



YBX3-315~355



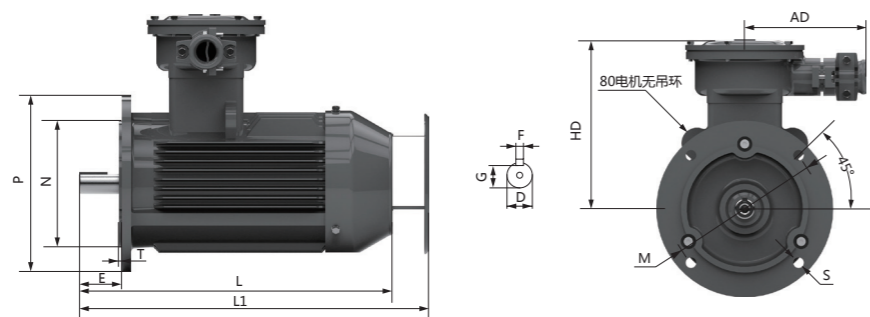
◆ B35 外形及安装尺寸 Dimensions Foot-Flange Mount B35

机座号 FRAME SIZE	极数 POLES	A	B	C	D	E	F	G	H	K	M	N	S	T	P	W	AB	BB	AC	AD	AE	HD	L
80M	2-8	125	100	50	19	40	6	15.5	80	10	165	130	12	3.5	200	10	160	130	167	178	34	310	340
90S	2-8	140	100	56	24	50	8	20	90	10	165	130	12	3.5	200	14	176	130	184	178	36	335	390
90L	2-8	140	125	56	24	50	8	20	90	10	165	130	12	3.5	200	14	176	155	184	178	36	335	420
100L	2-8	160	140	63	28	60	8	24	100	12	215	180	15	4	250	14	200	176	207	178	43	360	470
112M	2-8	190	140	70	28	60	8	24	112	12	215	180	15	4	250	16	240	180	221	193	50	375	520
132S	2-8	216	140	89	38	80	10	33	132	12	265	230	15	4	300	18	276	190	260	193	60	420	530
132M	2-8	216	178	89	38	80	10	33	132	12	265	230	15	4	300	18	276	230	260	193	60	420	570
160M	2-8	254	210	108	42	110	12	37	160	14.5	300	250	19	5	350	25	324	258	315	210	70	500	700
160L	2-8	254	254	108	42	110	12	37	160	14.5	300	250	19	5	350	25	324	302	315	210	70	500	730
180M	2-8	279	241	121	48	110	14	42.5	180	15	300	250	19	5	350	22	349	311	356	210	70	535	790
180L	2-8	279	279	121	48	110	14	42.5	180	15	300	250	19	5	350	22	349	349	356	210	70	535	810
200L	2-8	318	305	133	55	110	16	49	200	19	350	300	19	5	400	25	388	366	398	240	70	612	850
225S	4, 8	356	286	149	60	140	18	53	225	18.5	400	350	19	5	450	28	431	355	446	240	75	665	900
225M	2	356	311	149	55	110	16	49	225	18.5	400	350	19	5	450	28	431	380	446	240	75	665	900
225M	4-8	356	311	149	60	140	18	53	225	18.5	400	350	19	5	450	28	431	380	446	240	75	665	930
250M	2	406	349	168	60	140	18	53	250	24	500	450	19	5	550	30	486	420	495	279	80	730	990
250M	4-8	406	349	168	65	140	18	58	250	24	500	450	19	5	550	30	486	420	495	279	80	730	990
280S	2	457	368	190	65	140	18	58	280	24	500	450	19	5	550	35	542	438	547	279	85	790	1020
280S	4-8	457	368	190	75	140	20	67.5	280	24	500	450	19	5	550	35	542	438	547	279	85	790	1030
280M	2	457	419	190	65	140	18	58	280	24	500	450	19	5	550	35	542	489	547	279	85	790	1070
280M	4-8	457	419	190	75	140	20	67.5	280	24	500	450	19	5	550	35	542	489	547	279	85	790	1080
315S	2	508	406	216	65	140	18	58	315	28	600	550	24	6	660	45	628	550	620	330	120	980	1210
315S	4-10	508	406	216	80	170	22	71	315	28	600	550	24	6	660	45	628	550	620	330	120	980	1290
315M	2	508	457	216	65	140	18	58	315	28	600	550	24	6	660	45	628	680	620	330	120	980	1330
315M	4-10	508	457	216	80	170	22	71	315	28	600	550	24	6	660	45	628	680	620	330	120	980	1410
315L	2	508	508	216	65	140	18	58	315	28	600	550	24	6	660	45	628	680	620	330	120	980	1330
315L	4-10	508	508	216	80	170	22	71	315	28	600	550	24	6	660	45	628	680	620	330	120	980	1410
355S	2	610	500	254	75	140	20	67.5	355	28	740	680	24	6	800	52	726	636	700	330	116	1120	1490
355S	4-10	610	500	254	95	170	25	86	355	28	740	680	24	6	800	52	726	636	700	330	116	1120	1520
355M	2	610	560	254	75	140	20	67.5	355	28	740	680	24	6	800	52	726	696	700	330	116	1120	1570
355M	4-10	610	560	254	95	170	25	86	355	28	740	680	24	6	800	52	726	696	700	330	116	1120	1600
355L	2	610	630	254	75	140	20	67.5	355	28	740	680	24	6	800	52	726	766	700	330	116	1120	1680
355L	4-10	610	630	254	95	170	25	86	355	28	740	680	24	6	800	52	726	766	700	330	116	1120	1710

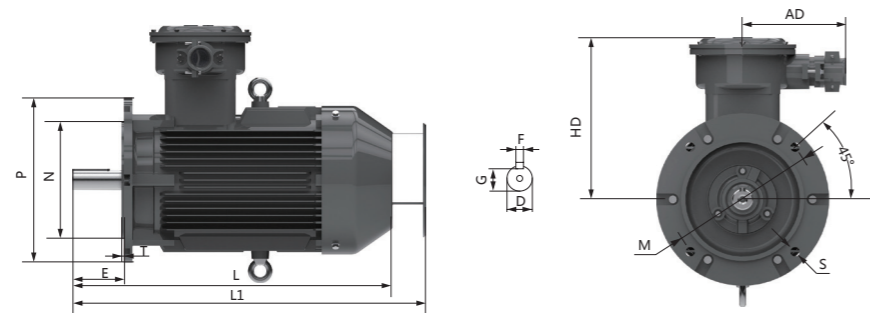
(此外形图用于 YB3 防爆等级为 Exd I Mb、Exd II BT4Gb, YBX3 防爆等级为 Exd II BT4Gb, YBK3 防爆等级为 Exd I Mb)

◆ B5&V1 外形及安装尺寸 Dimensions Flange Mount B5&V1

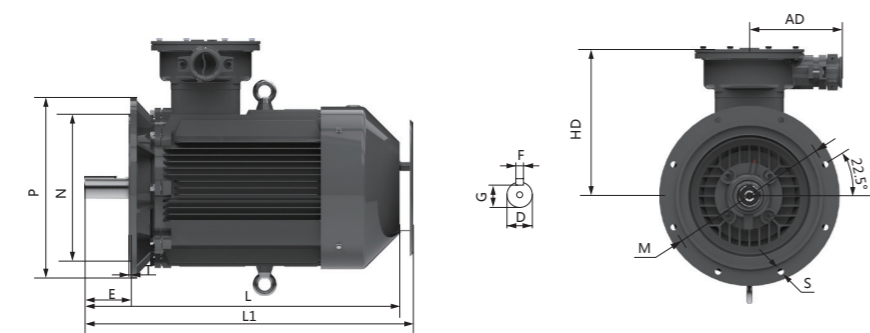
YBX3-80~132



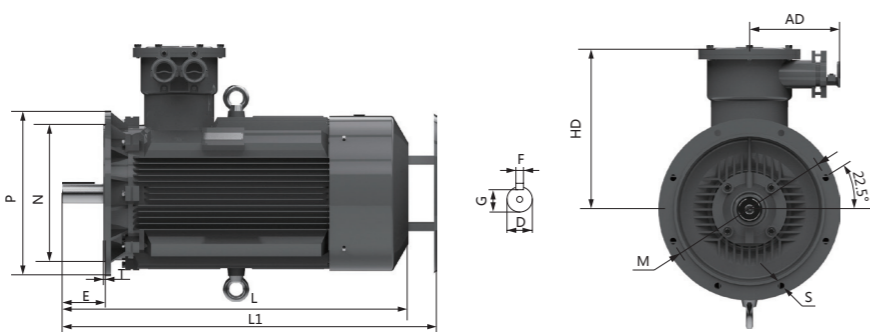
YBX3-160~200



YBX3-225~280



YBX3-315~355



◆ B5&V1 外形及安装尺寸 Dimensions Flange Mount B5&V1

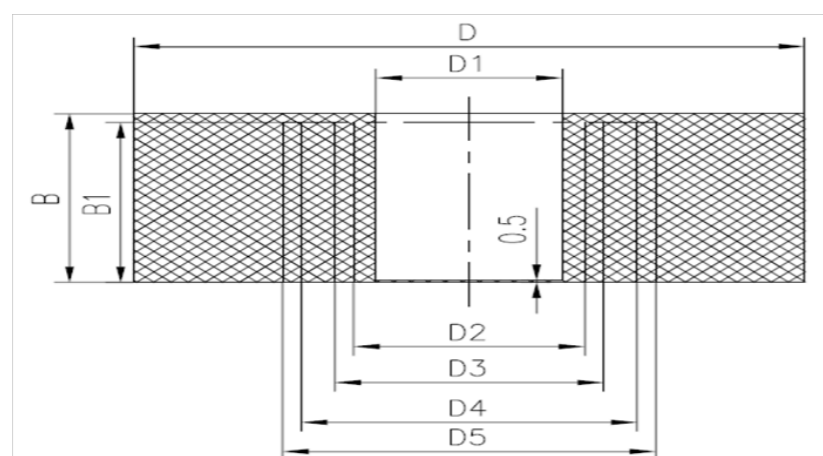
机座号 FRAME SIZE	极数 POLES	D	E	F	G	M	N	S	T	P	AD	HD	L(B5)	L1(V1)
80M	2-8	19	40	6	15.5	165	130	12	3.5	200	178	230	340	440
90S	2-8	24	50	8	20	165	130	12	3.5	200	178	245	390	490
90L	2-8	24	50	8	20	165	130	12	3.5	200	178	245	420	520
100L	2-8	28	60	8	24	215	180	15	4	250	178	260	470	570
112M	2-8	28	60	8	24	215	180	15	4	250	193	246	520	620
132S	2-8	38	80	10	33	265	230	15	4	300	193	288	530	630
132M	2-8	38	80	10	33	265	230	15	4	300	193	288	570	670
160M	2-8	42	110	12	37	300	250	19	5	350	210	340	700	800
160L	2-8	42	110	12	37	300	250	19	5	350	210	340	730	830
180M	2-8	48	110	14	42.5	300	250	19	5	350	210	355	790	890
180L	2-8	48	110	14	42.5	300	250	19	5	350	210	355	810	910
200L	2-8	55	110	16	49	350	300	19	5	400	240	412	850	950
225S	4、8	60	140	18	53	400	350	19	5	450	240	440	900	1000
225M	2	55	110	16	49	400	350	19	5	450	240	440	900	1000
225M	4-8	60	140	18	53	400	350	19	5	450	240	440	930	1030
250M	2	60	140	18	53	500	450	19	5	550	279	480	990	1090
250M	4-8	65	140	18	58	500	450	19	5	550	279	480	990	1090
280S	2	65	140	18	58	500	450	19	5	550	279	510	1020	1120
280S	4-8	75	140	20	67.5	500	450	19	5	550	279	510	1030	1130
280M	2	65	140	18	58	500	450	19	5	550	279	510	1070	1170
280M	4-8	75	140	20	67.5	500	450	19	5	550	279	510	1080	1180
315S	2	65	140	18	58	600	550	24	6	660	330	665	-	1310
315S	4-10	80	170	22	71	600	550	24	6	660	330	665	-	1390
315M	2	65	140	18	58	600	550	24	6	660	330	665	-	1430
315M	4-10	80	170	22	71	600	550	24	6	660	330	665	-	1510
315L	2	65	140	18	58	600	550	24	6	660	330	665	-	1430
315L	4-10	80	170	22	71	600	550	24	6	660	330	665	-	1510
355S	2	75	140	20	67.5	740	680	24	6	800	330	765	-	1590
355S	4-10	95	170	25	86	740	680	24	6	800	330	765	-	1620
355M	2	75	140	20	67.5	740	680	24	6	800	330	765	-	1670
355M	4-10	95	170	25	86	740	680	24	6	800	330	765	-	1700
355L	2	75	140	20	67.5	740	680	24	6	800	330	765	-	1780
355L	4-10	95	170	25	86	740	680	24	6	800	330	765	-	1810

(此外形图用于 YB3 防爆等级为 Exd I Mb、Exd II BT4Gb, YBX3 防爆等级为 Exd II BT4Gb, YBK3 防爆等级为 Exd I Mb)

钢管布线的尺寸 (适用于隔爆型电动机 YB3、YBX3、YBBP)

机座号	钢管布线尺寸
80-132	M30X2
160-180	M36X2
200-225	M48X2
250-280	M64X2
315-355	2XM64X2

密封圈尺寸 (适用于隔爆型电动机 YB3、YBX3、YBBP、YBK3)



机座号	尺寸							
	D1	D2	D3	D4	D5	D	B1	B
80-132	φ14	φ20	φ25			φ42	24	26
160-180	φ14	φ20	φ26	φ31	φ35	φ58	24	26
200-225	φ20	φ26	φ32	φ38	φ42	φ72	30	32
250-355	φ25	φ31	φ36	φ45	φ50	φ90	36	38

说明：机座号为 315、355 电机有两个出线口

YBX3 轴承型号

机座号	极数	轴伸端	非轴伸端
80	全部	6204-2Z	6204-2Z
90	全部	6205-2Z	6205-2Z
100	全部	6206-2Z	6206-2Z
112	全部	6206-2Z	6206-2Z
132	全部	6208-2Z	6208-2Z
160	2P	6209-2Z	6209-2Z
160	4 ~ 8P	6309-2Z	6209-2Z
180	2P	6211	6211
180	4 ~ 8P	6311	6211
200	2P	6212	6212
200	4 ~ 8P	6312	6212
225	2P	6312	6312
225	4 ~ 8P	6313	6312
250	2P	6313	6313
250	4 ~ 8P	6314	6313
280	2P	6314	6314
280	4 ~ 8P	6317	6314
315	2P	6316	6316
315	4 ~ 10P	6319	6319
355	2P	6319	6319
355	4 ~ 10P	6322	6322

YBK3 系列煤矿井下用隔爆型三相异步电动机

YBK3 Series Flameproof Three-Phase Asynchronous Motors For Coal Mines



产品概述 Product Introduction

YBK3 系列煤矿井下用隔爆型三相异步电动机符合 GB18613-2012《中小型三相异步电动机能效限定值及能效等级》中规定的三级效率标准，是 YBK2 系列的更新换代产品。电动机按照 GB3836.2 的规定制成隔爆型，其防爆标志位 Exd I Mb。适用于含有甲烷或粉尘的煤矿井下采掘面工作面，作为一般动力设备使用。

执行标准为：JB/T9593.1-2015

YBK3 series coal mine flameproof three-phase asynchronous motor in accordance with GB18613-2012 the small and medium-sized three-phase asynchronous motor limited value of energy efficiency and energy efficiency grade specified in the standard of three levels of efficiency, It is the update products of YBK2 series. Motor made in accordance with the provisions of GB3836.2 flameproof, The explosion-proof marks a Exd I Mb, Suitable for methane or dust in working face of coal mine underground mining, Used as a general power equipment.

Executive standard is JB/T9593.1-2015

详细说明 Specification

◆现场条件

YBK3 系列电动机标准工作条件为海拔不超过 1000m，环境温度最低为 -15℃，环境温度最高为 35℃。

◆温升和绝缘

电动机按 F 级绝缘设计（155℃），按 B 级绝缘考核（80K），电动机的使用寿命和可靠性得到保证。

◆冷却和通风

标准冷却方式为全封闭自扇冷。标准电机装有辅流式塑料风扇。符合 IEC60034-6 中 IC411 的规定。

◆防护等级

电动机的防护等级为 IP55，可用于含尘或潮湿环境。

◆电压、频率

(1) 机座号 80-100 电压为 380V 或者 660V

(2) 机座号 112-355 电压为 380/660V、660/1140V

◆额定频率为 50HZ

在供电电压偏离额定电压 ±5% 的情况下，仍能良好运行。

◆接线盒位置

接线盒在机座上方可以四个方向进线，进线分为橡胶套电缆和钢管布线两种。

◆质量保证

从产品设计到产品出厂，遵循 ISO9001 质量认证体系，严格遵守质量程序。

◆ Site conditions

The standard working conditions of YBK3 series motors are as follows: The altitude is not more than 1000 meters, the lowest ambient temperature is -15 °C, and the highest ambient temperature is 35°C.

◆ Temperature rise and insulation

F class (155 °C) insulation system and temperature rise class B (80K) are adopted to the motor. The service life and reliability of the motor are guaranteed

◆ Cooling and ventilation

The standard cooling method is fully enclosed self-fan cooling standard motor equipped with auxiliary flow plastic fan in accordance with the provisions of IC411 in iec60034-6

◆ Protection class

The standard protection class of motor is IP55, can be used in dusty or humid environment.

◆ Voltage、frequency

Frame size 80-100, the voltage is 380V or 660V
Frame size 112-355, the voltage is 380/660V、660/1140V

◆ Rated frequency is 50HZ

Under the condition that the supply voltage deviates from the rated voltage by 5%, it can still run well.

◆ Terminal box position

Terminal box in the upper part of the frame can be four directions into the line, the line is divided into rubber cable and steel pipe wiring two kinds

◆ Quality guarantee

From the product design to the delivery of products, follow the ISO9001 quality certification system, strict compliance with quality procedures

技术数据 Technical Data

2 极 – 同步转速 3000r/min 50HZ
2pole-3000rpm synchronous speed 50HZ

型号 Motor Type	额定 功率 Rated Output KW	额定 转速 Rated Speed rpm	额定 电流 IFL 380V A	额定 电流 IFL 660V A	额定 电流 IFL 1140V A	效率 EFF %	功率 因数 Power Factor cosφ	堵转转矩		堵转电流 堵转电流 IST/IFL	噪音 Noise Level LW dB (A)	重量 Net Weight kg
								额定转矩 TST/TFL	最大转矩 TM/TFL			
YBK3-80M1-2	0.75	2855	1.8	1.0	—	77.4%	0.83	2.3	2.3	6.8	67	25
YBK3-80M2-2	1.1	2855	2.5	1.5	—	79.6%	0.83	2.3	2.3	7.3	67	27
YBK3-90S-2	1.5	2875	3.3	1.9	—	81.3%	0.84	2.3	2.3	7.6	72	31
YBK3-90L-2	2.2	2875	4.7	2.7	—	83.2%	0.85	2.3	2.3	7.8	72	33
YBK3-100L-2	3	2880	6.2	3.6	—	84.6%	0.87	2.3	2.3	8.1	76	46
YBK3-112M-2	4	2900	8.0	4.6	2.7	85.8%	0.88	2.3	2.3	8.3	77	58
YBK3-132S1-2	5.5	2900	10.9	6.3	3.6	87.0%	0.88	2.2	2.3	8.0	80	84
YBK3-132S2-2	7.5	2900	14.5	8.4	4.8	88.1%	0.89	2.2	2.3	7.8	80	90
YBK3-160M1-2	11	2940	21.0	12.1	7.0	89.4%	0.89	2.2	2.3	7.9	84	140
YBK3-160M2-2	15	2940	28.4	16.3	9.5	90.3%	0.89	2.2	2.3	8.0	84	153
YBK3-160L-2	18.5	2940	34.7	20.0	11.6	90.9%	0.89	2.2	2.3	8.1	84	164
YBK3-180M-2	22	2955	41.1	23.7	13.7	91.3%	0.89	2.2	2.3	8.2	85	198
YBK3-200L1-2	30	2965	55.7	32.1	18.6	92.0%	0.89	2.2	2.3	7.5	87	277
YBK3-200L2-2	37	2965	68.3	39.3	22.8	92.5%	0.89	2.2	2.3	7.5	87	287
YBK3-225M-2	45	2970	82.7	47.6	27.6	92.9%	0.89	2.2	2.3	7.6	89	382
YBK3-250M-2	55	2975	100.7	58.0	33.6	93.2%	0.89	2.2	2.3	7.6	89	475
YBK3-280S-2	75	2975	136.5	78.6	45.5	93.8%	0.89	2.0	2.3	6.9	91	609
YBK3-280M-2	90	2975	163.3	94.0	54.4	94.1%	0.89	2.0	2.3	7.0	91	664
YBK3-315S-2	110	2980	199.1	114.7	66.4	94.3%	0.89	1.9	2.2	7.1	103	1070
YBK3-315M-2	132	2980	238.2	137.2	79.4	94.6%	0.89	1.9	2.2	7.1	103	1150
YBK3-315L1-2	160	2980	288.1	165.9	96.0	94.8%	0.89	1.9	2.2	7.1	103	1230
YBK3-315L2-2	200	2980	359.4	206.9	119.8	95.0%	0.89	1.9	2.2	7.1	103	1322
YBK3-355M1-2	220	2980	386.7	227.6	131.8	95.0%	0.89	1.8	2.2	7.1	105	1600
YBK3-355M2-2	250	2980	439.4	255.8	148.1	95.0%	0.9	1.8	2.2	7.1	105	1760
YBK3-355L1-2	280	2980	492.1	286.5	165.9	95.0%	0.9	1.8	2.2	7.1	105	1860
YBK3-355L2-2	315	2980	553.6	322.3	186.6	95.0%	0.9	1.8	2.2	7.1	105	2000

技术数据 Technical Data

4 极 – 同步转速 1500r/min 50HZ
4pole-1500rpm synchronous speed 50HZ

型号 Motor Type	额定 功率 Rated Output KW	额定 转速 Rated Speed rpm	额定 电流 IFL 380V A	额定 电流 IFL 660V A	额定 电流 IFL 1140V A	效率 EFF %	功率 因数 Power Factor cosφ	堵转转矩		堵转电流 堵转电流 IST/IFL	噪音 Noise Level LW dB (A)	重量 Net Weight kg
								额定转矩 TST/TFL	最大转矩 TM/TFL			
YBK3-80M1-4	0.55	1400	1.4	0.8	—	77.80%	0.75	2.3	2.3	6.3	58	29.5
YBK3-80M2-4	0.75	1400	1.9	1.1	—	79.6%	0.75	2.3	2.3	6.5	58	30
YBK3-90S-4	1.1	1425	2.7	1.6	—	81.4%	0.75	2.3	2.3	6.6	61	38
YBK3-90L-4	1.5	1425	3.7	2.1	—	82.8%	0.75	2.3	2.3	6.9	61	41
YBK3-100L1-4	2.2	1440	4.9	2.8	—	84.3%	0.81	2.3	2.3	7.5	64	50
YBK3-100L2-4	3	1440	6.5	3.7	—	85.5%	0.82	2.3	2.3	7.6	64	54.5
YBK3-112M-4	4	1450	8.6	4.9	2.9	86.6%	0.82	2.3	2.3	7.7	65	76
YBK3-132S-4	5.5	1455	11.6	6.7	3.9	87.7%	0.82	2.0	2.3	7.5	71	93
YBK3-132M-4	7.5	1455	15.5	8.9	5.2	88.7%	0.83	2.0	2.3	7.4	71	106
YBK3-160M-4	11	1465	21.9	12.6	7.3	89.8%	0.85	2.0	2.3	7.5	74	148
YBK3-160L-4	15	1465	29.6	17.0	9.9	90.6%	0.85	2.0	2.3	7.5	74	172
YBK3-180M-4	18.5	1470	35.8	20.6	11.9	91.2%	0.86	2.0	2.3	7.7	76	199
YBK3-180L-4	22	1475	42.4	24.4	14.1	91.6%	0.86	2.0	2.3	7.8	76	240
YBK3-200L-4	30	1475	56.8	32.7	18.9	92.3%	0.87	2.0	2.3	7.2	79	297
YBK3-225S-4	37	1480	69.7	40.1	23.2	92.7%	0.87	2.0	2.3	7.3	81	342
YBK3-225M-4	45	1480	84.4	48.6	28.1	93.1%	0.87	2.0	2.3	7.4	81	400
YBK3-250M-4	55	1480	101.6	58.5	33.9	93.5%	0.88	2.0	2.3	7.4	83	488
YBK3-280S-4	75	1485	137.8	79.3	45.9	94.0%	0.88	2.0	2.3	7.0	85	669
YBK3-280M-4	90	1485	163.1	93.9	54.4	94.2%	0.89	2.0	2.3	7.0	85	731
YBK3-315S-4	110	1485	198.7	114.4	66.2	94.5%	0.89	2.0	2.2	7.0	106	950
YBK3-315M-4	132	1485	238.0	137.0	79.3	94.7%	0.89	2.0	2.2	7.0	106	1130
YBK3-315L1-4	160	1485	287.8	165.7	95.9	94.9%	0.89	2.0	2.2	7.0	106	1210
YBK3-315L2-4	200	1485	355.0	206.7	119.7	95.1%	0.89	2.0	2.2	7.0	106	1370
YBK3-355M1-4	220	1490	390.5	227.4	131.6	95.1%	0.89	2.0	2.2	7.0	108	1694
YBK3-355M2-4	250	1490	443.8	258.4	149.6	95.1%	0.89	2.0	2.2	7.0	108	1740
YBK3-355L1-4	280	1490	497.1	289.4	167.5	95.1%	0.89	2.0	2.2	7.0	108	1900
YBK3-355L2-4	315	1490	559.2	325.6	188.5	95.1%	0.89	2.0	2.2	7.0	108	2005

技术数据 Technical Data

6 极 – 同步转速 1000r/min 50HZ
6pole-1000rpm synchronous speed 50HZ

型号 Motor Type	额定功率 Rated Output KW	额定转速 Rated Speed rpm	额定电流 IFL 380V A	额定电流 IFL 660V A	额定电流 IFL 1140V A	效率 EFF %	功率因数 Power Factor cosφ	堵转转矩		堵转电流 IST/IFL	噪音 Noise Level LW dB (A)	重量 Net Weight kg
								堵转转矩 TST/TFL	最大转矩 TM/TFL			
YBK3-80M1	0.37	890	1.2	0.7	—	67.00%	0.72	1.9	2.1	4.7	54	30
YBK3-80M2	0.55	890	1.6	0.9	—	73.60%	0.72	1.9	2.1	4.7	54	31
YBK3-90S-6	0.75	935	2.1	1.2	—	75.9%	0.72	2.1	2.1	5.8	57	35
YBK3-90L-6	1.1	940	2.9	1.7	—	78.1%	0.73	2.1	2.1	5.9	57	41
YBK3-100L-6	1.5	945	3.9	2.2	—	79.8%	0.74	2.1	2.1	6.0	61	48
YBK3-112M-6	2.2	950	5.5	3.2	1.8	81.8%	0.74	2.1	2.1	6.0	65	64
YBK3-132S-6	3	960	7.4	4.3	2.5	83.3%	0.74	2.0	2.1	6.2	69	89
YBK3-132M1-6	4	960	9.7	5.6	3.2	84.6%	0.74	2.0	2.1	6.8	69	94
YBK3-132M2-6	5.5	960	13.0	7.5	4.3	86.0%	0.75	2.0	2.1	7.1	69	102
YBK3-160M-6	7.5	970	16.8	9.6	5.6	87.2%	0.78	2.1	2.1	7.0	70	149
YBK3-160L-6	11	970	24.2	13.9	8.1	88.7%	0.78	2.1	2.1	7.0	70	171
YBK3-180L-6	15	975	31.4	18.1	10.5	89.7%	0.81	2.0	2.1	7.2	73	200
YBK3-200L1-6	18.5	975	38.4	22.1	12.8	90.4%	0.81	2.1	2.1	7.2	76	292
YBK3-200L2-6	22	975	44.8	25.8	14.9	90.9%	0.82	2.1	2.1	7.3	76	312
YBK3-225M-6	30	985	61.4	35.3	20.5	91.7%	0.81	2.0	2.1	7.1	76	382
YBK3-250M-6	37	985	72.6	41.8	24.2	92.2%	0.84	2.1	2.1	7.1	78	460
YBK3-280S-6	45	985	85.8	49.4	28.6	92.7%	0.86	2.1	2.0	7.2	80	619
YBK3-280M-6	55	985	104.4	60.1	34.8	93.1%	0.86	2.1	2.0	7.2	80	669
YBK3-315S-6	75	990	143.1	82.4	47.7	93.7%	0.85	2.0	2.0	7.0	85	910
YBK3-315M-6	90	990	173.2	99.7	57.7	94.0%	0.84	2.0	2.0	7.0	85	1090
YBK3-315L1-6	110	990	208.5	120.1	69.5	94.3%	0.85	2.0	2.0	7.0	85	1150
YBK3-315L2-6	132	990	246.5	141.9	82.2	94.6%	0.86	2.0	2.0	7.0	85	1250
YBK3-355S-6	160	990	298.2	169.7	98.3	94.8%	0.87	1.9	2.0	7.0	91	1640
YBK3-355M1-6	185	990	344.8	196.0	113.5	94.9%	0.87	1.9	2.0	7.0	91	1725
YBK3-355M2-6	200	990	371.9	211.7	122.6	95.0%	0.87	1.9	2.0	7.0	91	1820
YBK3-355L1-6	220	990	409.1	232.9	134.8	95.0%	0.87	1.9	2.0	7.0	91	1949
YBK3-355L2-6	250	990	464.9	264.6	153.2	95.0%	0.87	1.9	2.0	7.0	91	2013

技术数据 Technical Data

8 极 – 同步转速 750r/min 50HZ
8pole-750rpm synchronous speed 50HZ

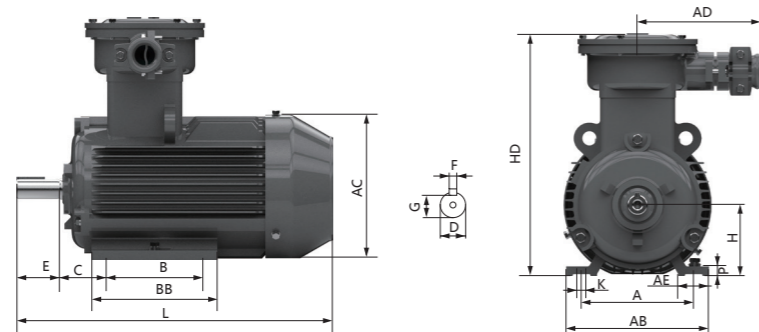
型号 Motor Type	额定功率 Rated Output KW	额定转速 Rated Speed rpm	额定电流 IFL 380V A	额定电流 IFL 660V A	额定电流 IFL 1140V A	效率 EFF %	功率因数 Power Factor cosφ	堵转转矩		堵转电流 IST/IFL	噪音 Noise Level LW dB (A)	重量 Net Weight kg
								堵转转矩 TST/TFL	最大转矩 TM/TFL			
YBK3-90S-8	0.37	670	1.7	1	—	53%	0.61	1.8	1.9	4.0	56	36.5
YBK3-90L-8	0.55	670	2.2	1.3	—	63%	0.61	1.8	2.0	4.0	56	40.5
YBK3-100L1-8	0.75	690	2.6	1.4	—	66.2%	0.67	1.8	2.0	4.0	59	54
YBK3-100L2-8	1.1	690	3.4	2.0	—	70.8%	0.69	1.8	2.0	5.0	59	53
YBK3-112M-8	1.5	690	4.4	2.5	1.5	74.1%	0.70	1.8	2.0	5.0	61	69
YBK3-132S-8	2.2	710	6.1	3.5	2.0	77.6%	0.71	1.8	2.0	6.0	64	84
YBK3-132M-8	3	710	7.8	4.6	2.6	80.0%	0.73	1.8	2.0	6.0	64	91
YBK3-160M1-8	4	720	10.2	6.0	3.5	81.9%	0.73	1.9	2.0	6.0	68	134
YBK3-160M2-8	5.5	720	13.5	7.9	4.6	83.8%	0.74	1.9	2.0	6.0	68	144
YBK3-160L-8	7.5	720	17.8	10.4	6.0	85.3%	0.75	1.9	2.0	6.0	68	170
YBK3-180L-8	11	730	25.6	14.8	8.6	86.9%	0.75	1.9	2.0	6.5	70	220
YBK3-200L-8	15	730	34.1	19.9	11.5	88.0%	0.76	1.9	2.0	6.6	73	292
YBK3-225S-8	18.5	730	41.7	23.9	13.8	88.6%	0.76	1.9	2.0	6.6	73	342
YBK3-225M-8	22	740	48.1	27.5	15.9	89.1%	0.78	1.9	2.0	6.6	73	362
YBK3-250M-8	30	740	64.3	36.7	21.3	89.8%	0.79	1.9	2.0	6.5	75	490
YBK3-280S-8	37	740	78.8	45.1	26.1	90.3%	0.79	1.8	2.0	6.6	76	590
YBK3-280M-8	45	740	95.4	54.5	31.6	90.7%	0.79	1.8	2.0	6.6	76	609
YBK3-315S-8	55	740	113.4	65.2	37.7	91.0%	0.81	1.8	2.0	6.6	82	960
YBK3-315M-8	75	740	153.6	88.0	50.9	91.6%	0.81	1.8	2.0	6.4	82	1125
YBK3-315L1-8	90	740	181.5	105.3	60.9	91.9%	0.82	1.8	2.0	6.4	82	1310
YBK3-315L2-8	110	740	220.8	125.5	72.7	92.3%	0.82	1.8	2.0	6.4	82	1350
YBK3-355S-8	132	740	264.1	150.6	87.2	92.6%	0.82	1.8	2.0	6.4	89	1640
YBK3-355M-8	160	740	318.8	181.6	105.1	93.0%	0.82	1.8	2.0	6.4	89	1820
YBK3-355L1-8	185	740	366.6	210.0	121.6	93.5%	0.82	1.8	2.0	6.4	89	1930
YBK3-355L2-8	200	740	396.4	223.8	129.6	93.5%	0.82	1.8	2.0	6.4	90	2020

10 极 – 同步转速 600r/min 50HZ
10pole-600rpm synchronous speed 50HZ

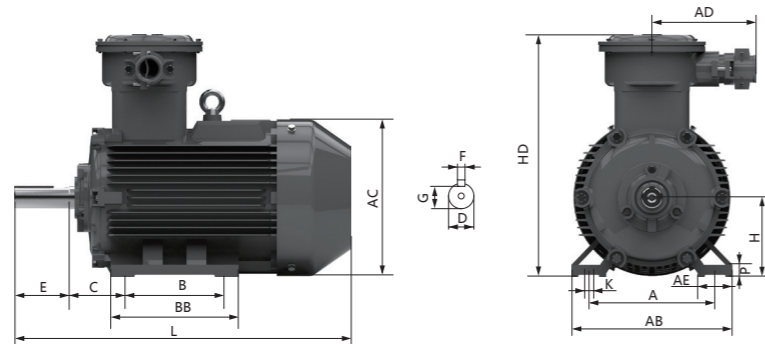
型号 Motor Type	额定功率 Rated Output KW	额定转速 Rated Speed rpm	额定电流 IFL 380V A	额定电流 IFL 660V A	额定电流 IFL 1140V A	效率 EFF %	功率因数 Power Factor cosφ	堵转转矩		堵转电流 IST/IFL	噪音 Noise Level LW dB (A)	重量 Net Weight kg
								堵转转矩 TST/TFL	最大转矩 TM/TFL			
YBK3-315S-10	45	590	100.0	57.6	33.3	91.2	0.75	1.8	2.0	6.2	82	912
YBK3-315M-10	55	590	121.4	69.9	40.5	91.8	0.75	1.8	2.0	6.2	82	1039
YBK3-315L1-10	75	590	162.4	93.5	54.1	92.3	0.76	1.8	2.0	6.2	82	1166
YBK3-315L2-10	90	590	191.4	110.2	63.8	92.8	0.77	1.8	2.0	6.2	82	1253
YBK3-355M1-10	110	590	230.4	132.7	76.8	93	0.78	1.8	2.0	6.0	90	1628
YBK3-355M2-10	132	590	275.6	158.7	91.9	93.3	0.78	1.8	2.0	6.0	90	1764
YBK3-355L1-10	160	590	334.1	192.3	111.4	93.3	0.78	1.8	2.0	6.0	90	1996
YBK3-355L2-10	185	590	386.2	222.4	128.7	93.3	0.78	1.8	2.0	6.0	90	2081

◆ B3 外形及安装尺寸 Dimensions Foot Mount B3

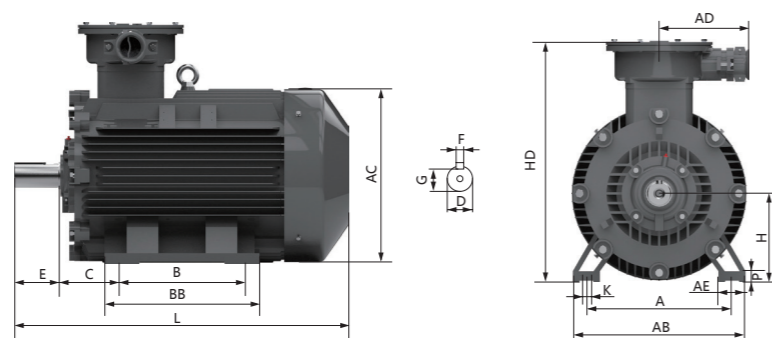
YBK3-80~132



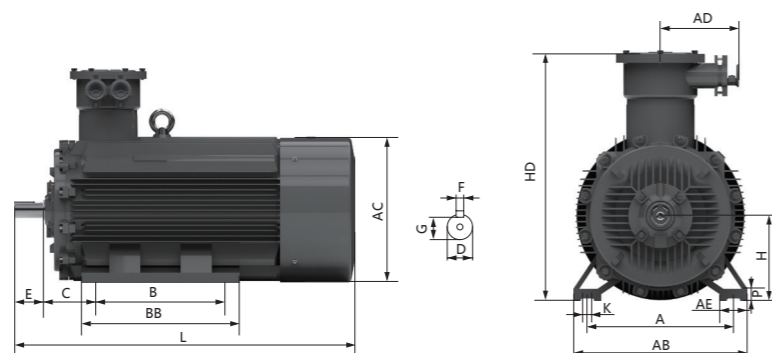
YBK3-160~200



YBK3-225~280



YBK3-315~355



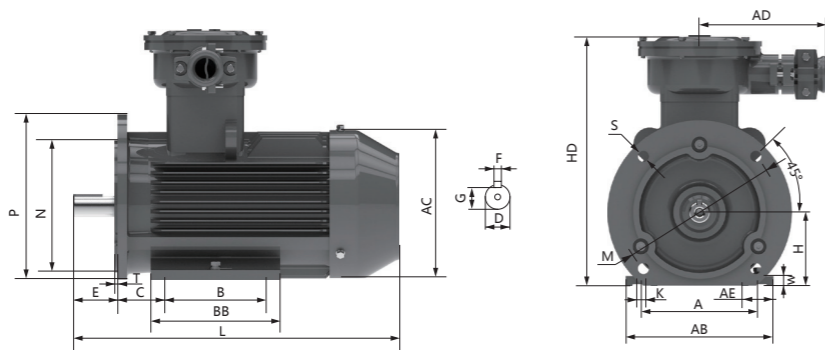
◆ B3 外形及安装尺寸 Dimensions Foot Mount B3

机座号 FRAME SIZE	极数 POLES	A	B	C	D	E	F	G	H	P	K	AB	BB	AC	AE	AD	HD	L
80M	2-8	125	100	50	19	40	6	15.5	80	10	10	160	130	167	34	178	305	340
90S	2-8	140	100	56	24	50	8	20	90	14	10	176	130	184	36	178	330	390
90L	2-8	140	125	56	24	50	8	20	90	14	10	176	155	184	36	178	330	420
100L	2-8	160	140	63	28	60	8	24	100	14	12	200	176	207	43	178	360	470
112M	2-8	190	140	70	28	60	8	24	112	16	12	240	180	221	50	193	390	520
132S	2-8	216	140	89	38	80	10	33	132	18	12	276	190	260	60	193	440	530
132M	2-8	216	178	89	38	80	10	33	132	18	12	276	230	260	60	193	440	570
160M	2-8	254	210	108	42	110	12	37	160	25	14.5	324	258	315	70	210	510	700
160L	2-8	254	254	108	42	110	12	37	160	25	14.5	324	302	315	70	210	510	730
180M	2-8	279	241	121	48	110	14	42.5	180	22	15	349	311	356	70	210	550	790
180L	2-8	279	279	121	48	110	14	42.5	180	22	15	349	349	356	70	210	550	810
200L	2-8	318	305	133	55	110	16	49	200	25	18.5	388	366	398	70	240	600	850
225S	4、8	356	286	149	60	140	18	53	225	28	18.5	431	355	446	75	240	640	900
225M	2	356	311	149	55	110	16	49	225	28	18.5	431	380	446	75	240	640	900
225M	4-8	356	311	149	60	140	18	53	225	28	18.5	431	380	446	75	240	640	930
250M	2	406	349	168	60	140	18	53	250	30	24	486	420	495	80	279	720	990
250M	4-8	406	349	168	65	140	18	58	250	30	24	486	420	495	80	279	720	990
280S	2	457	368	190	65	140	18	58	280	35	24	542	438	547	85	279	780	1020
280S	4-8	457	368	190	75	140	20	67.5	280	35	24	542	438	547	85	279	780	1030
280M	2	457	419	190	65	140	18	58	280	35	24	542	489	547	85	279	780	1070
280M	4-8	457	419	190	75	140	20	67.5	280	35	24	542	489	547	85	279	780	1080
315S	2	508	406	216	65	140	18	58	315	45	28	628	550	620	120	330	980	1210
315S	4-10	508	406	216	80	170	22	71	315	45	28	628	550	620	120	330	980	1290
315M	2	508	457	216	65	140	18	58	315	45	28	628	680	620	120	330	980	1330
315M	4-10	508	457	216	80	170	22	71	315	45	28	628	680	620	120	330	980	1410
315L	2	508	508	216	65	140	18	58	315	45	28	628	680	620	120	330	980	1330
315L	4-10	508	508	216	80	170	22	71	315	45	28	628	680	620	120	330	980	1410
355S	2	610	500	254	75	140	20	67.5	355	52	28	726	636	700	116	330	1120	1490
355S	4-10	610	500	254	95	170	25	86	355	52	28	726	636	700	116	330	1120	1520
355M	2	610	560	254	75	140	20	67.5	355	52	28	726	696	700	116	330	1120	1570
355M	4-10	610	560	254	95	170	25	86	355	52	28	726	696	700	116	330	1120	1600
355L	2	610	630	254	75	140	20	67.5	355	52	28	726	766	700	116	330	1120	1680
355L	4-10	610	630	254	95	170	25	86	355	52	28	726	766	700	116	330	1120	1710

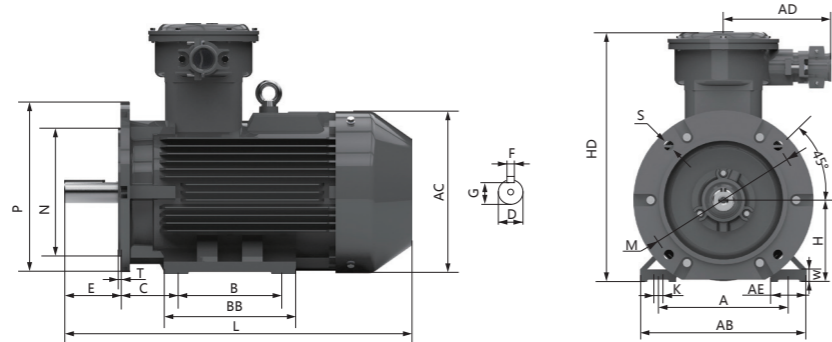
(此外形图用于YB3 防爆等级为 Exd I Mb、Exd II BT4Gb,YBX3 防爆等级为 Exd II BT4Gb,YBK3 防爆等级为 Exd I Mb)

◆ B35 外形及安装尺寸 Dimensions Foot-Flange Mount B35

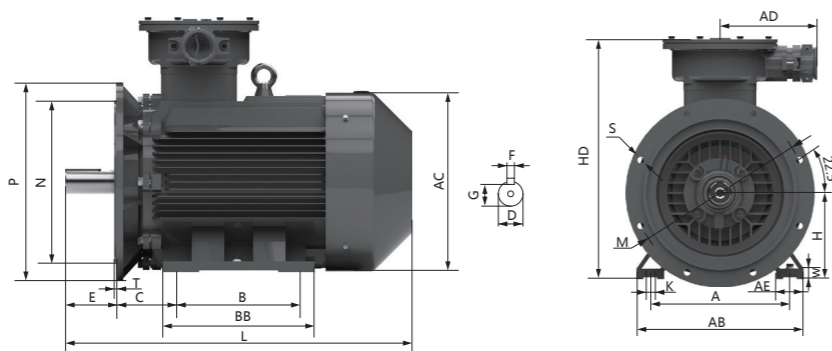
YBK3-80~132



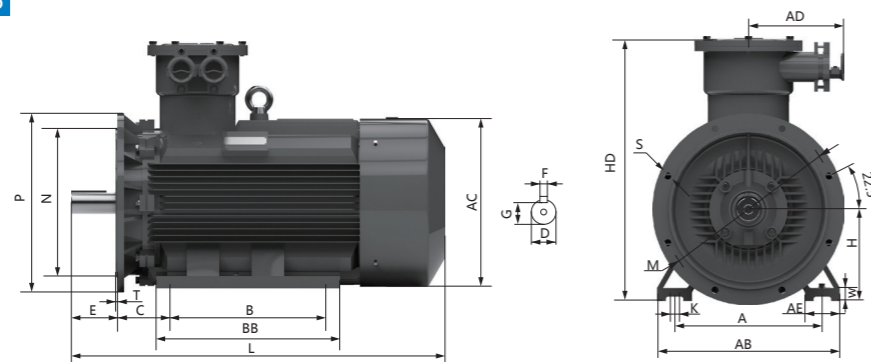
YBK3-160~200



YBK3-225~280



YBK3-315~355



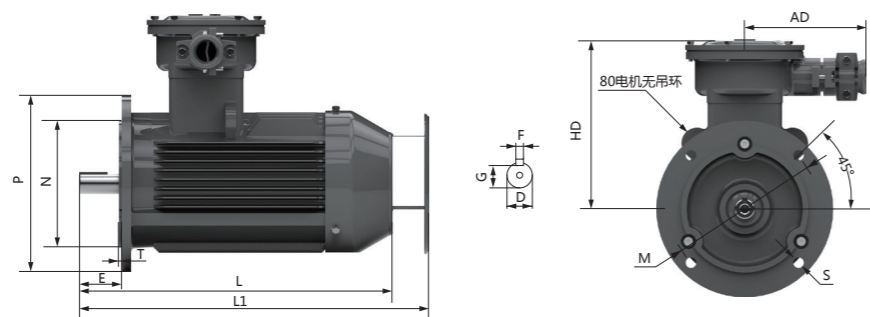
◆ B35 外形及安装尺寸 Dimensions Foot-Flange Mount B35

机座号 FRAME SIZE	极数 POLES	A	B	C	D	E	F	G	H	K	M	N	S	T	P	W	AB	BB	AC	AD	AE	HD	L
80M	2-8	125	100	50	19	40	6	15.5	80	10	165	130	12	3.5	200	10	160	130	167	178	34	305	340
90S	2-8	140	100	56	24	50	8	20	90	10	165	130	12	3.5	200	14	176	130	184	178	36	330	390
90L	2-8	140	125	56	24	50	8	20	90	10	165	130	12	3.5	200	14	176	155	184	178	36	330	420
100L	2-8	160	140	63	28	60	8	24	100	12	215	180	15	4	250	14	200	176	207	178	43	360	470
112M	2-8	190	140	70	28	60	8	24	112	12	215	180	15	4	250	16	240	180	221	193	50	390	520
132S	2-8	216	140	89	38	80	10	33	132	12	265	230	15	4	300	18	276	190	260	193	60	440	530
132M	2-8	216	178	89	38	80	10	33	132	12	265	230	15	4	300	18	276	230	260	193	60	440	570
160M	2-8	254	210	108	42	110	12	37	160	14.5	300	250	19	5	350	25	324	258	315	210	70	510	700
160L	2-8	254	254	108	42	110	12	37	160	14.5	300	250	19	5	350	25	324	302	315	210	70	510	730
180M	2-8	279	241	121	48	110	14	42.5	180	15	300	250	19	5	350	22	349	311	356	210	70	550	790
180L	2-8	279	279	121	48	110	14	42.5	180	15	300	250	19	5	350	22	349	349	356	210	70	550	810
200L	2-8	318	305	133	55	110	16	49	200	19	350	300	19	5	400	25	388	366	398	240	70	600	850
225S	4, 8	356	286	149	60	140	18	53	225	18.5	400	350	19	5	450	28	431	355	446	240	75	640	900
225M	2	356	311	149	55	110	16	49	225	18.5	400	350	19	5	450	28	431	380	446	240	75	640	900
225M	4-8	356	311	149	60	140	18	53	225	18.5	400	350	19	5	450	28	431	380	446	240	75	640	930
250M	2	406	349	168	60	140	18	53	250	24	500	450	19	5	550	30	486	420	495	279	80	720	990
250M	4-8	406	349	168	65	140	18	58	250	24	500	450	19	5	550	30	486	420	495	279	80	720	990
280S	2	457	368	190	65	140	18	58	280	24	500	450	19	5	550	35	542	438	547	279	85	780	1020
280S	4-8	457	368	190	75	140	20	67.5	280	24	500	450	19	5	550	35	542	438	547	279	85	780	1030
280M	2	457	419	190	65	140	18	58	280	24	500	450	19	5	550	35	542	489	547	279	85	780	1070
280M	4-8	457	419	190	75	140	20	67.5	280	24	500	450	19	5	550	35	542	489	547	279	85	780	1080
315S	2	508	406	216	65	140	18	58	315	28	600	550	24	6	660	45	628	550	620	330	120	980	1210
315S	4-10	508	406	216	80	170	22	71	315	28	600	550	24	6	660	45	628	550	620	330	120	980	1290
315M	2	508	457	216	65	140	18	58	315	28	600	550	24	6	660	45	628	680	620	330	120	980	1330
315M	4-10	508	457	216	80	170	22	71	315	28	600	550	24	6	660	45	628	680	620	330	120	980	1410
315L	2	508	508	216	65	140	18	58	315	28	600	550	24	6	660	45	628	680	620	330	120	980	1330
315L	4-10	508	508	216	80	170	22	71	315	28	600	550	24	6	660	45	628	680	620	330	120	980	1410
355S	2	610	500	254	75	140	20	67.5	355	28	740	680	24	6	800	52	726	636	700	330	116	1120	1490
355S	4-10	610	500	254	95	170	25	86	355	28	740	680	24	6	800	52	726	636	700	330	116	1120	1520
355M	2	610	560	254	75	140	20	67.5	355	28	740	680	24	6	800	52	726	696	700	330	116	1120	1570
355M	4-10	610	560	254	95	170	25	86	355	28	740	680	24	6	800	52	726	696	700	330	116	1120	1600
355L	2	610	630	254	75	140	20	67.5	355	28	740	680	24	6	800	52	726	766	700	330	116	1120	1680
355L	4-10	610	630	254	95	170	25	86	355	28	740	680	24	6	800	52	726	766	700	330	116	1120	1710

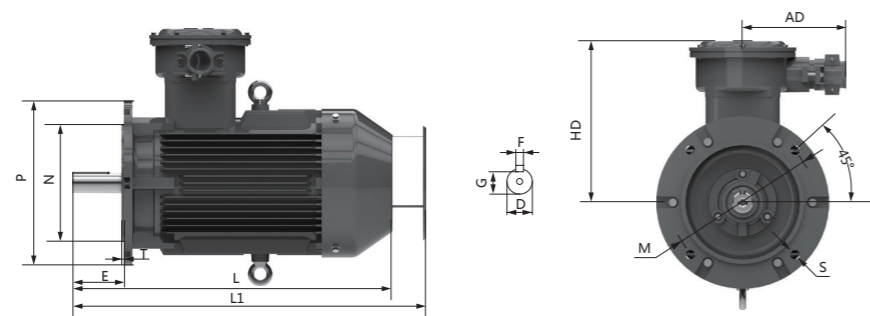
(此外形图用于 YB3 防爆等级为 Exd I Mb、Exd II BT4Gb, YBK3 防爆等级为 Exd II BT4Gb, YBK3 防爆等级为 Exd I Mb)

◆ B5&V1 外形及安装尺寸 Dimensions Flange Mount B5&V1

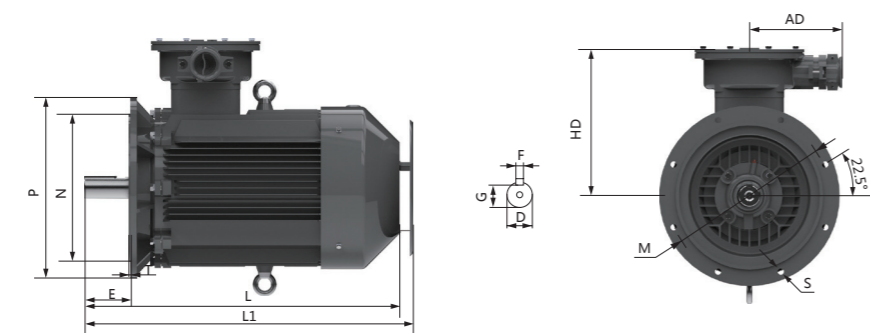
YBK3-80~132



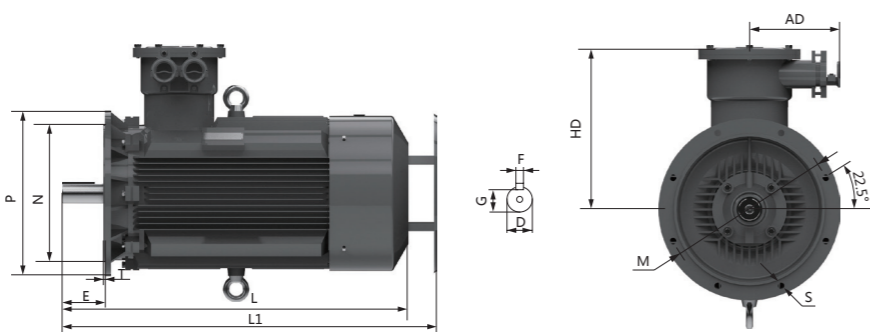
YBK3-160~200



YBK3-225~280



YBK3-315~355



◆ B5&V1 外形及安装尺寸 Dimensions Flange Mount B5&V1

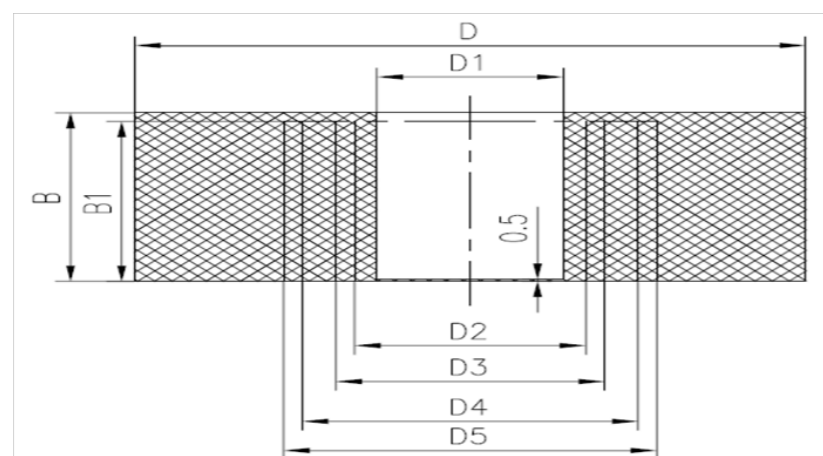
机座号 FRAME SIZE	极数 POLES	D	E	F	G	M	N	S	T	P	AD	HD	L(B5)	L1(V1)
80M	2-8	19	40	6	15.5	165	130	12	3.5	200	178	225	340	440
90S	2-8	24	50	8	20	165	130	12	3.5	200	178	240	390	490
90L	2-8	24	50	8	20	165	130	12	3.5	200	178	240	420	520
100L	2-8	28	60	8	24	215	180	15	4	250	178	260	470	570
112M	2-8	28	60	8	24	215	180	15	4	250	193	278	520	620
132S	2-8	38	80	10	33	265	230	15	4	300	193	308	530	630
132M	2-8	38	80	10	33	265	230	15	4	300	193	308	570	670
160M	2-8	42	110	12	37	300	250	19	5	350	210	350	700	800
160L	2-8	42	110	12	37	300	250	19	5	350	210	350	730	830
180M	2-8	48	110	14	42.5	300	250	19	5	350	210	370	790	890
180L	2-8	48	110	14	42.5	300	250	19	5	350	210	370	810	910
200L	2-8	55	110	16	49	350	300	19	5	400	240	400	850	950
225S	4, 8	60	140	18	53	400	350	19	5	450	240	415	900	1000
225M	2	55	110	16	49	400	350	19	5	450	240	415	900	1000
225M	4-8	60	140	18	53	400	350	19	5	450	240	415	930	1030
250M	2	60	140	18	53	500	450	19	5	550	279	470	990	1090
250M	4-8	65	140	18	58	500	450	19	5	550	279	470	990	1090
280S	2	65	140	18	58	500	450	19	5	550	279	500	1020	1120
280S	4-8	75	140	20	67.5	500	450	19	5	550	279	500	1030	1130
280M	2	65	140	18	58	500	450	19	5	550	279	500	1070	1170
280M	4-8	75	140	20	67.5	500	450	19	5	550	279	500	1080	1180
315S	2	65	140	18	58	600	550	24	6	660	330	665	-	1310
315S	4-10	80	170	22	71	600	550	24	6	660	330	665	-	1390
315M	2	65	140	18	58	600	550	24	6	660	330	665	-	1430
315M	4-10	80	170	22	71	600	550	24	6	660	330	665	-	1510
315L	2	65	140	18	58	600	550	24	6	660	330	665	-	1430
315L	4-10	80	170	22	71	600	550	24	6	660	330	665	-	1510
355S	2	75	140	20	67.5	740	680	24	6	800	330	765	-	1590
355S	4-10	95	170	25	86	740	680	24	6	800	330	765	-	1620
355M	2	75	140	20	67.5	740	680	24	6	800	330	765	-	1670
355M	4-10	95	170	25	86	740	680	24	6	800	330	765	-	1700
355L	2	75	140	20	67.5	740	680	24	6	800	330	765	-	1780
355L	4-10	95	170	25	86	740	680	24	6	800	330	765	-	1810

(此外形图用于 YB3 防爆等级为 Exd I Mb、Exd II BT4Gb, YBX3 防爆等级为 Exd II BT4Gb, YBK3 防爆等级为 Exd I Mb)

钢管布线的尺寸 (适用于隔爆型电动机 YB3、YBX3、YBBP)

机座号	钢管布线尺寸
80-132	M30X2
160-180	M36X2
200-225	M48X2
250-280	M64X2
315-355	2XM64X2

密封圈尺寸 (适用于隔爆型电动机 YB3、YBX3、YBBP、YBK3)



机座号	尺寸							
	D1	D2	D3	D4	D5	D	B1	B
80-132	φ14	φ20	φ25			φ42	24	26
160-180	φ14	φ20	φ26	φ31	φ35	φ58	24	26
200-225	φ20	φ26	φ32	φ38	φ42	φ72	30	32
250-355	φ25	φ31	φ36	φ45	φ50	φ90	36	38

说明：机座号为 315、355 电机有两个出线口

YBK3 轴承型号

机座号	极数	轴伸端	非轴伸端
80	全部	6204-2Z	6204-2Z
90	全部	6205-2Z	6205-2Z
100	全部	6206-2Z	6206-2Z
112	全部	6206-2Z	6206-2Z
132	全部	6208-2Z	6208-2Z
160	2P	6209-2Z	6209-2Z
160	4 ~ 8P	6309-2Z	6209-2Z
180	2P	6211	6211
180	4 ~ 8P	6311	6211
200	2P	6212	6212
200	4 ~ 8P	6312	6212
225	2P	6312	6312
225	4 ~ 8P	6313	6312
250	2P	6313	6313
250	4 ~ 8P	6314	6313
280	2P	6314	6314
280	4 ~ 8P	6317	6314
315	2P	6316	6316
315	4 ~ 10P	6319	6319
355	2P	6319	6319
355	4 ~ 10P	6322	6322

YFB2 系列粉尘防爆型三相异步电动机

YFB2 Series For Dust Explosion-Proof Three-Phase Asynchronous Motor



产品概述 Product Introduction

YFB2 系列粉尘防爆型三相异步电动机符合 GB18613-2012《中小型三相异步电动机能效限定值及能效等级》中规定的三级效率标准，是 YFB 系列的更新换代产品。电动机按照 GB/T12476.5-2013 的规定防爆标志为 Ex tD A21 IP65 T130°C。适用于具有爆炸性粉尘混合物的场所。

执行标准为 Q/1082SHL053-2015

YFB2 series dust explosion-proof type three-phase asynchronous motor is in line with the third efficiency standard in the provisions of GB18613-2012 "Minimum allowable values of energy efficiency and energy efficiency grades for small and medium three-phase asynchronous motors". It is the replacement of YFB series. According to GB/T12476.5-2013, The explosion-proof marks are Ex tD A21 IP65 T130 °C. Suitable for places with explosive dust mixture

executive standard is Q/1082SHL053-2015

详细说明 Specification

◆现场条件

YFB2 系列电动机标准工作条件为海拔不超过 1000m，环境温度最低为 -15°C，环境温度最高为 40°C

◆温升和绝缘

电动机按 F 级绝缘设计（155°C），按 B 级绝缘考核（80K），电动机的使用寿命和可靠性得到保证。

◆冷却和通风

标准冷却方式为全封闭自扇冷。标准电机装有辅流式塑料风扇。符合 IEC60034-6 中 IC411 的规定。

◆防护等级

电动机的防护等级为 IP65，可用于具有爆炸性粉尘混合物的场所。

◆电压、频率

机座号 80-100 电压为 220V、380V、220/380V。

机座号 112-355 电压为 380V、660V、380/660V。

◆额定频率为 50HZ

◆变频范围

2 极：5-50Hz，4-8 极：5-100Hz。

在供电电压偏离额定电压 ±5% 的情况下，仍能良好运行。

◆接线盒位置

接线盒在机座上方可以四个方向进线，出线口安装粉尘防爆专用的电缆锁紧头。

◆质量保证

从产品设计到产品出厂，遵循 ISO9001 质量认证体系，严格遵守质量程序。

◆ Site conditions

The standard working conditions of YFB2 series motors are as follows : The altitude is not more than 1000 meters, the lowest ambient temperature is -15 °C , and the highest ambient temperature is 40°C .

◆ Temperature rise and insulation

The motor is designed according to grade F insulation (155°C) and assessed according to grade B insulation (80K). The service life and reliability of the motor are guaranteed

◆ Cooling and ventilation

The standard cooling method is fully enclosed self-fan cooling standard motor equipped with auxiliary flow plastic fan in accordance with the provisions of IC411 in IEC60034-6

◆ Protection class

The standard protection class of motor is IP65, can be used in places with explosive dust mixture.

◆ Voltage、frequency

Frame size 80-100, the voltage is 220V、380V、220/380V. Frame size 112-355, the voltage is 380V 660V 380/660v

◆ Rated frequency is 50HZ

◆ Variable-frequency range

Under the condition that the supply voltage deviates from the rated voltage by 5%, it can still run well.

◆ Terminal box position

The terminal box above the frame can be used for incoming lines in four directions, and the outlet can be equipped with a dust explosion-proof cable locking head

◆ Quality guarantee

From the product design to the delivery of products, follow the ISO9001 quality certification system, strict compliance with quality procedures

技术数据 Technical Data

2 极 – 同步转速 3000r/min 50HZ
2pole-3000rpm synchronous speed 50HZ

型号 Motor Type	额定功率 Rated Output KW	额定转速 Rated Speed rpm	额定电流 IFL 380V A	效率 EFF %	功率因数 Power Factor cosφ	堵转转矩		堵转电流		噪音 Noise Level LW dB (A)	重量 Net Weight kg
						额定转矩 TST/TFL	最大转矩 TM/TFL	额定电流 IST/IFL	堵转电流		
YFB2-80M1-2	0.75	2855	1.8	77.4%	0.82	2.3	2.3	6.8	62	17	
YFB2-80M2-2	1.1	2855	2.5	79.6%	0.83	2.3	2.3	7.1	62	19	
YFB2-90S-2	1.5	2875	3.3	81.3%	0.84	2.3	2.3	7.3	67	20	
YFB2-90L-2	2.2	2875	4.7	83.2%	0.85	2.3	2.3	7.6	67	25	
YFB2-100L-2	3	2880	6.2	84.6%	0.87	2.2	2.3	7.8	74	35	
YFB2-112M-2	4	2900	8.0	85.8%	0.88	2.2	2.3	8.1	77	40	
YFB2-132S1-2	5.5	2900	10.9	87.0%	0.88	2.2	2.3	8.2	79	60	
YFB2-132S2-2	7.5	2900	14.5	88.1%	0.89	2.2	2.3	7.8	79	65	
YFB2-160M1-2	11	2940	21.0	89.4%	0.89	2.2	2.3	7.9	81	110	
YFB2-160M2-2	15	2940	28.4	90.3%	0.89	2.2	2.3	7.9	81	120	
YFB2-160L-2	18.5	2940	34.7	90.9%	0.89	2.2	2.3	8.0	81	135	
YFB2-180M-2	22	2955	41.1	91.3%	0.89	2.2	2.3	8.1	83	170	
YFB2-200L1-2	30	2965	55.7	92.0%	0.89	2	2.3	7.5	84	230	
YFB2-200L2-2	37	2965	68.3	92.5%	0.89	2	2.3	7.5	84	240	
YFB2-225M-2	45	2970	82.7	92.9%	0.89	2.2	2.3	7.5	86	300	
YFB2-250M-2	55	2975	100.7	93.2%	0.89	2.2	2.3	7.6	89	400	
YFB2-280S-2	75	2975	136.5	93.8%	0.89	1.8	2.3	6.9	91	520	
YFB2-280M-2	90	2975	163.3	94.1%	0.89	1.8	2.3	6.9	91	575	
YFB2-315S-2	110	2980	196.9	94.3%	0.9	1.8	2.2	7.0	92	890	
YFB2-315M-2	132	2980	235.6	94.6%	0.9	1.8	2.2	7.0	92	970	
YFB2-315L1-2	160	2980	281.8	94.8%	0.91	1.8	2.2	7.1	92	1070	
YFB2-315L2-2	200	2980	351.5	95.0%	0.91	1.8	2.2	7.1	92	1130	
YFB2-355M1-2	220	2980	386.7	95.0%	0.91	1.6	2.2	7.1	100	1560	
YFB2-355M2-2	250	2980	439.4	95.0%	0.91	1.6	2.2	7.1	100	1620	
YFB2-355L1-2	280	2980	492.1	95.0%	0.91	1.6	2.2	7.2	100	1720	
YFB2-355L2-2	315	2980	553.6	95.0%	0.91	1.6	2.2	7.2	100	1830	

技术数据 Technical Data

4 极 – 同步转速 1500r/min 50HZ
4pole-1500rpm synchronous speed 50HZ

型号 Motor Type	额定功率 Rated Output KW	额定转速 Rated Speed rpm	额定电流 IFL 380V A	效率 EFF %	功率因数 Power Factor cosφ	堵转转矩		堵转电流		噪音 Noise Level LW dB (A)	重量 Net Weight kg
						额定转矩 TST/TFL	最大转矩 TM/TFL	额定电流 IST/IFL	堵转电流		
YFB2-80M2-4	0.75	1400	1.9	79.6%	0.76	2.3	2.3	6.4	56	16	
YFB2-90S-4	1.1	1425	2.7	81.4%	0.77	2.3	2.3	6.6	59	18	
YFB2-90L-4	1.5	1425	3.5	82.8%	0.78	2.3	2.3	6.7	59	26	
YFB2-100L1-4	2.2	1440	5.0	84.3%	0.8	2.3	2.3	7.3	64	35	
YFB2-100L2-4	3	1440	6.6	85.5%	0.81	2.3	2.3	7.5	64	40	
YFB2-112M-4	4	1450	8.7	86.6%	0.81	2.3	2.3	7.5	65	45	
YFB2-132S-4	5.5	1455	11.6	87.7%	0.82	2	2.3	7.5	71	65	
YFB2-132M-4	7.5	1455	15.5	88.7%	0.83	2	2.3	7.3	71	75	
YFB2-160M-4	11	1465	22.4	89.8%	0.83	2	2.3	7.4	73	115	
YFB2-160L-4	15	1465	29.9	90.6%	0.84	2	2.3	7.5	73	130	
YFB2-180M-4	18.5	1470	36.3	91.2%	0.85	2	2.3	7.6	76	175	
YFB2-180L-4	22	1475	42.9	91.6%	0.85	2.1	2.3	7.7	76	200	
YFB2-200L-4	30	1475	58.1	92.3%	0.85	2.1	2.3	7.1	76	250	
YFB2-225S-4	37	1480	70.5	92.7%	0.86	2.1	2.3	7.3	78	295	
YFB2-225M-4	45	1480	85.4	93.1%	0.86	2.2	2.3	7.3	78	325	
YFB2-250M-4	55	1480	103.9	93.5%	0.86	2.2	2.3	7.3	79	420	
YFB2-280S-4	75	1485	139.3	94.0%	0.87	2.2	2.3	6.8	80	535	
YFB2-280M-4	90	1485	165.0	94.2%	0.88	2.2	2.3	6.9	80	615	
YFB2-315S-4	110	1485	198.7	94.5%	0.89	2.1	2.2	6.9	88	850	
YFB2-315M-4	132	1485	238.0	94.7%	0.89	2.1	2.2	6.9	88	940	
YFB2-315L1-4	160	1485	284.6	94.9%	0.9	2.1	2.2	6.9	88	1020	
YFB2-315L2-4	200	1485	355.0	95.1%	0.9	2.1	2.2	6.9	88	1160	
YFB2-355M1-4	220	1490	390.5	95.1%	0.9	2.0	2.2	6.9	95	1600	
YFB2-355M2-4	250	1490	443.8	95.1%	0.9	2.0	2.2	6.9	95	1660	
YFB2-355L1-4	280	1490	497.1	95.1%	0.9	2.0	2.2	6.9	95	1750	
YFB2-355L2-4	315	1490	559.2	95.1%	0.9	2.0	2.2	6.9	95	1860	

技术数据 Technical Data

6极 – 同步转速 1000r/min 50HZ
6pole-1000rpm synchronous speed 50HZ

型号 Motor Type	额定功率 Rated Output KW	额定转速 Rated Speed rpm	额定电流 IFL 380V A	效率 EFF %	功率因数 Power Factor cosφ	堵转转矩		堵转电流		噪音 Noise Level LW dB (A)	重量 Net Weight kg
						额定转矩 TST/TFL	最大转矩 TM/TFL	额定电流 IST/IFL	堵转电流		
YFB2-90S-6	0.75	935	2.1	75.9%	0.71	2.0	2.1	5.8	57	21	
YFB2-90L-6	1.1	940	3.0	78.1%	0.72	2.0	2.1	5.9	57	24	
YFB2-100L-6	1.5	945	4.0	79.8%	0.72	2.0	2.1	5.9	61	35	
YFB2-112M-6	2.2	950	5.7	81.8%	0.72	2.0	2.1	6.2	65	40	
YFB2-132S-6	3	960	7.6	83.3%	0.72	2.0	2.1	6.4	69	56	
YFB2-132M1-6	4	960	9.7	84.6%	0.74	2.0	2.1	6.6	69	66	
YFB2-132M2-6	5.5	960	13.0	86.0%	0.75	2.0	2.1	6.8	69	76	
YFB2-160M-6	7.5	970	16.8	87.2%	0.78	2.0	2.1	6.8	73	110	
YFB2-160L-6	11	970	23.9	88.7%	0.79	2.0	2.1	6.9	73	134	
YFB2-180L-6	15	975	31.0	89.7%	0.82	2.0	2.1	7.3	73	176	
YFB2-200L1-6	18.5	975	38.9	90.4%	0.8	2.0	2.1	7.2	73	223	
YFB2-200L2-6	22	975	45.4	90.9%	0.81	2.0	2.1	7.3	73	234	
YFB2-225M-6	30	985	60.6	91.7%	0.82	2.0	2.1	6.8	74	285	
YFB2-250M-6	37	985	73.5	92.2%	0.83	2.0	2.1	7	76	380	
YFB2-280S-6	45	985	86.8	92.7%	0.85	2.0	2.0	7.2	78	460	
YFB2-280M-6	55	985	104.4	93.1%	0.86	2.0	2.0	7.2	78	510	
YFB2-315S-6	75	990	144.8	93.7%	0.84	2.0	2.0	6.5	83	760	
YFB2-315M-6	90	990	171.1	94.0%	0.85	2.0	2.0	6.6	83	920	
YFB2-315L1-6	110	990	208.5	94.3%	0.85	2.0	2.0	6.6	83	1010	
YFB2-315L2-6	132	990	246.5	94.6%	0.86	2.0	2.0	6.6	83	1110	
YFB2-355M1-6	160	990	298.2	94.8%	0.86	2.0	2.2	6.7	85	1560	
YFB2-355M-6	185	990	344.8	94.8%	0.86	2.0	2.2	6.8	85	1600	
YFB2-355M2-6	200	990	371.9	95.0%	0.86	2.0	2.2	6.8	85	1680	
YFB2-355L1-6	220	990	409.1	95.0%	0.86	2.0	2.2	6.8	85	1730	
YFB2-355L2-6	250	990	464.9	95.0%	0.86	2.0	2.2	6.8	85	1810	

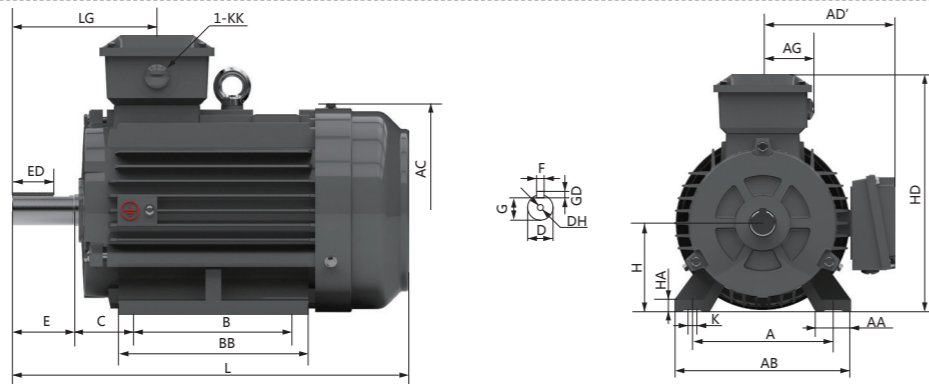
技术数据 Technical Data

8极 – 同步转速 750r/min 50HZ
8pole-750rpm synchronous speed 50HZ

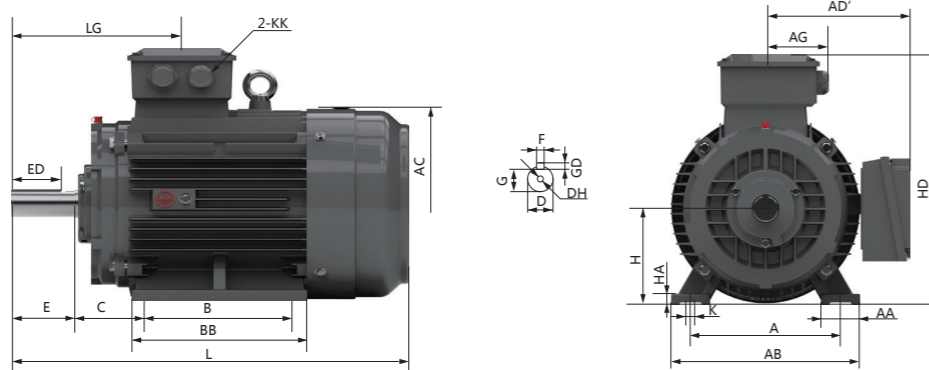
型号 Motor Type	额定功率 Rated Output KW	额定转速 Rated Speed rpm	额定电流 IFL 380V A	效率 EFF %	功率因数 Power Factor cosφ	堵转转矩		堵转电流		噪音 Noise Level LW dB (A)	重量 Net Weight kg
						额定转矩 TST/TFL	最大转矩 TM/TFL	额定电流 IST/IFL	堵转电流		
YFB2-100L1-8	0.75	690	2.6	66.2%	0.67	2	2.2	3.5	59	30	
YFB2-100L2-8	1.1	690	3.4	70.8%	0.69	2.2	2.4	3.6	59	35	
YFB2-112M-8	1.5	690	4.4	74.1%	0.70	2.4	2.6	3.9	61	40	
YFB2-132S-8	2.2	710	6.1	77.6%	0.71	2.3	2.5	4.3	64	55	
YFB2-132M-8	3	710	7.8	80.0%	0.73	2.2	2.4	4.4	64	65	
YFB2-160M1-8	4	720	10.2	81.9%	0.73	2.2	2.5	4.4	68	95	
YFB2-160M2-8	5.5	720	13.5	83.8%	0.74	2.2	2.4	5.0	68	115	
YFB2-160L-8	7.5	720	17.8	85.3%	0.75	2.1	2.3	5.7	68	125	
YFB2-180L-8	11	730	25.6	86.9%	0.75	2.3	2.5	5.6	70	180	
YFB2-200L-8	15	730	34.1	88.0%	0.76	2.1	2.4	5.5	73	220	
YFB2-225S-8	18.5	730	41.7	88.6%	0.76	2.2	2.6	5.6	73	260	
YFB2-225M-8	22	740	48.1	89.1%	0.78	2.1	2.4	5.4	73	290	
YFB2-250M-8	30	740	64.3	89.8%	0.79	2.2	2.5	5.3	75	380	
YFB2-280S-8	37	740	78.8	90.3%	0.79	2.3	2.7	5.6	76	490	
YFB2-280M-8	45	740	95.4	90.7%	0.79	2.1	2.8	5.2	76	530	
YFB2-315S-8	55	740	113.4	91.0%	0.81	1.9	2.5	5.7	82	770	
YFB2-315M-8	75	740	153.6	91.6%	0.81	2.1	2.8	5.9	82	900	
YFB2-315L1-8	90	740	181.5	91.9%	0.82	2.3	2.9	6.2	82	960	
YFB2-315L2-8	110	740	220.8	92.3%	0.82	2.2	2.8	6.0	82	1060	
YFB2-355M1-8	132	740	264.1	92.6%	0.82	1.6	2.0	5.2	90	1556	
YFB2-355M-8	160	740	318.8	93.0%	0.82	1.6	2.0	5.2	90	1680	
YFB2-355L1-8	185	740	366.6	93.5%	0.82	1.6	2.0	5.2	90	1760	
YFB2-355L2-8	200	740	396.4	93.5%	0.82	1.6	2.0	5.2	90	1850	

◆ B3 外形及安装尺寸 Dimensions Foot Mount B3

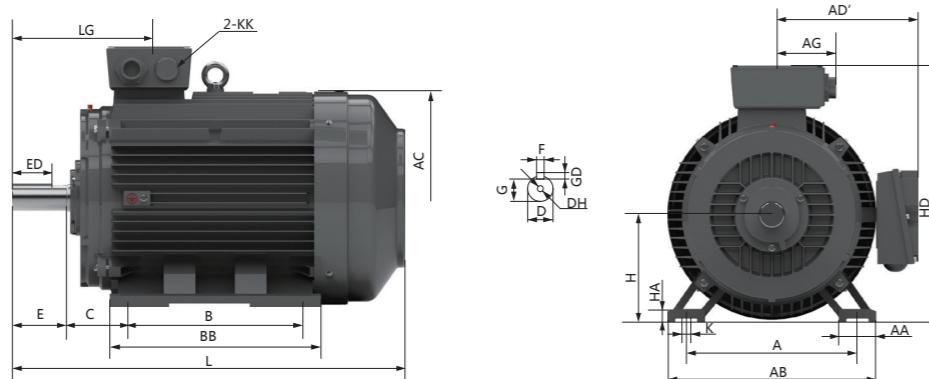
YFB2-80~132



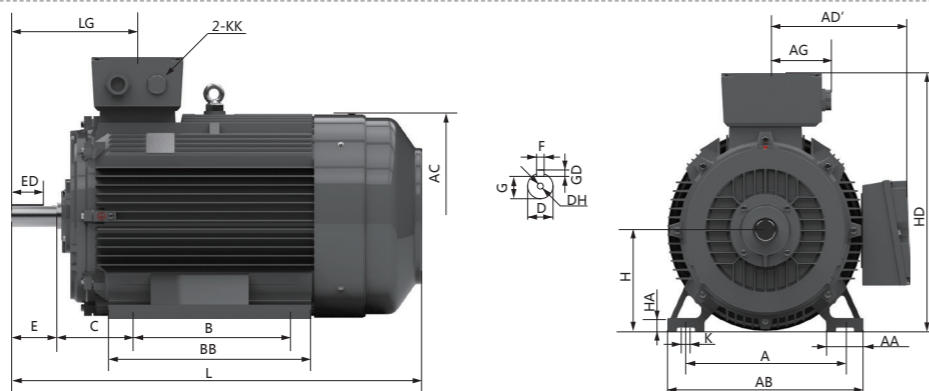
YFB2-160~200



YFB2-225~280



YFB2-315~355



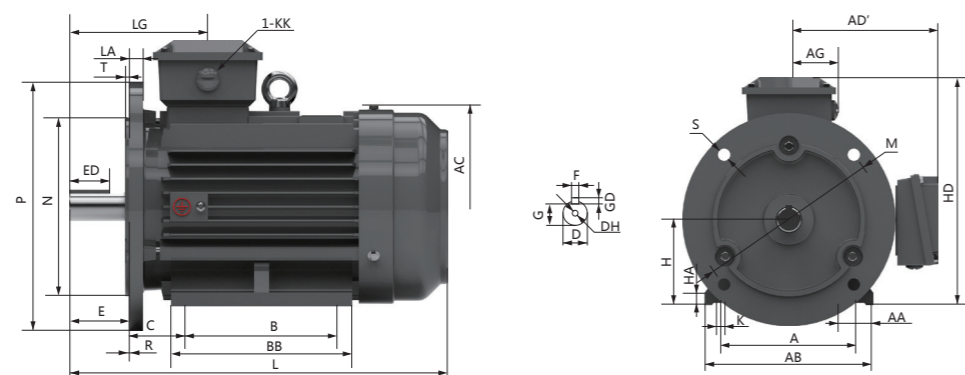
◆ B3 外形及安装尺寸 Dimensions Foot Mount B3

机座号 FRAME SIZE	极数 POLES	A	B	C	D	E	F	G	H	P	KK	K	AB	BB	AE	AC	AD	HD	L
80M	2-8	125	100	50	19	40	6	15.5	80	10	M20X1.5	10	156	142	34	175	90	240	302
90S	2-8	140	100	56	24	50	8	20	90	12.5	M20X1.5	10	176	180	36	190	94	270	360
90L	2-8	140	125	56	24	50	8	20	90	12.5	M20X1.5	10	176	210	36	190	94	270	390
100L	2-8	160	140	63	28	60	8	24	100	14	M20X1.5	12	198	233	40	215	94	290	435
112M	2-8	190	140	70	28	60	8	24	112	14	M25X1.5	12	226	252	45	236	110	322	461
132S	2-8	216	140	89	38	80	10	33	132	16	M25X1.5	12	260	220	52	275	110	365	492
132M	2-8	216	178	89	38	80	10	33	132	16	M25X1.5	12	260	258	52	275	110	365	530
160M	2-8	254	210	108	42	110	12	37	160	19	M32X1.5	14.5	314	302	65	330	137	439	668
160L	2-8	254	254	108	42	110	12	37	160	19	M32X1.5	14.5	314	325	65	330	137	439	690
180M	2-8	279	241	121	48	110	14	42.5	180	22	M32X1.5	14.5	345	330	70	380	137	472	733
180L	2-8	279	279	121	48	110	14	42.5	180	22	M32X1.5	14.5	345	370	70	380	137	472	781
200L	2-8	318	305	133	55	110	16	49	200	25	M40X1.5	18.5	388	363	70	420	176	520	798
225S	4, 8	356	286	149	60	140	18	53	225	28	M40X1.5	18.5	431	349	75	465	176	570	850
225M	2	356	311	149	55	110	16	49	225	28	M40X1.5	18.5	431	374	75	465	176	570	840
225M	4-8	356	311	149	60	140	18	53	225	28	M40X1.5	18.5	431	374	75	465	176	570	875
250M	2	406	349	168	60	140	18	53	250	33	M63X1.5	24	484	433	88	520	207	632	954
250M	4-8	406	349	168	65	140	18	58	250	33	M63X1.5	24	484	433	88	520	207	632	960
280S	2	457	368	190	65	140	18	58	280	35	M63X1.5	24	546	514	85	570	207	691	986
280S	4-8	457	368	190	75	140	20	67.5	280	35	M63X1.5	24	546	514	85	570	207	691	990
280M	2	457	419	190	65	140	18	58	280	35	M63X1.5	24	546	554	85	570	207	691	1026
280M	4-8	457	419	190	75	140	20	67.5	280	35	M63X1.5	24	546	554	85	570	207	691	1030
315S	2	508	406	216	65	140	18	58	315	45	M63X1.5	28	624	511	118	650	249	832	1162
315S	4-10	508	406	216	80	170	22	71	315	45	M63X1.5	28	624	511	118	650	249	832	1213
315M	2	508	457	216	65	140	18	58	315	45	M63X1.5	28	624	621	118	650	249	832	1272
315M	4-10	508	457	216	80	170	22	71	315	45	M63X1.5	28	624	621	118	650	249	832	1323
315L	2	508	508	216	65	140	18	58	315	45	M63X1.5	28	624	621	118	650	249	832	1272
315L	4-10	508	508	216	80	170	22	71	315	45	M63X1.5	28	624	621	118	650	249	832	1323
355M	2	610	560	254	75	140	20	67.5	355	49	M72X2	28	730	770	125	735	415	1019	1524
355M	4-10	610	560	254	95	170	25	86	355	49	M72X2	28	730	770	125	735	415	1019	1554
355L	2	610	630	254	75	140	20	67.5	355	49	M72X2	28	730	770	125	735	415	1019	1524
355L	4-10	610	630	254	95	170	25	86	355	49	M72X2	28	730	770	125	735	415	1019	1554
3551, 3552	2	610	630	254	75	140	20	67.5	355	49	M72X2	28	730	870	125	735	415	1019	1624
3551, 3552	4-10	610	630	254	95	170	25	86	355	49	M72X2	28	730	870	125	735	415	1019	1654

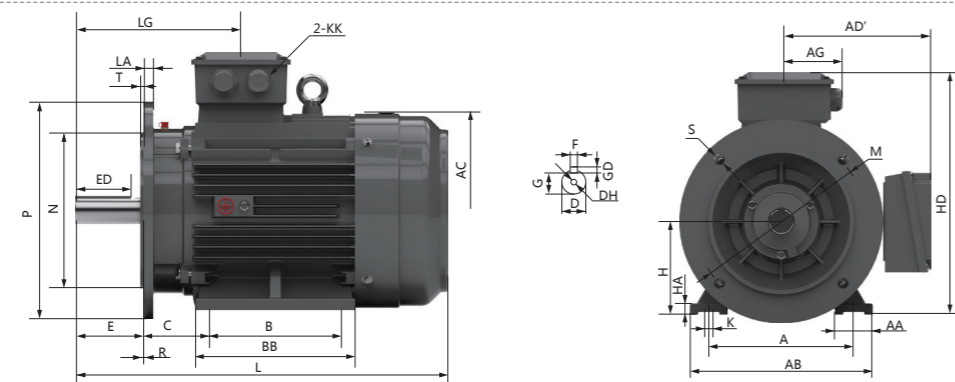
(此外形图用于 YFB2 防爆等级为 ExtDA21IP65T130°C)

◆ B35 外形及安装尺寸 Dimensions Foot-Flange Mount B35

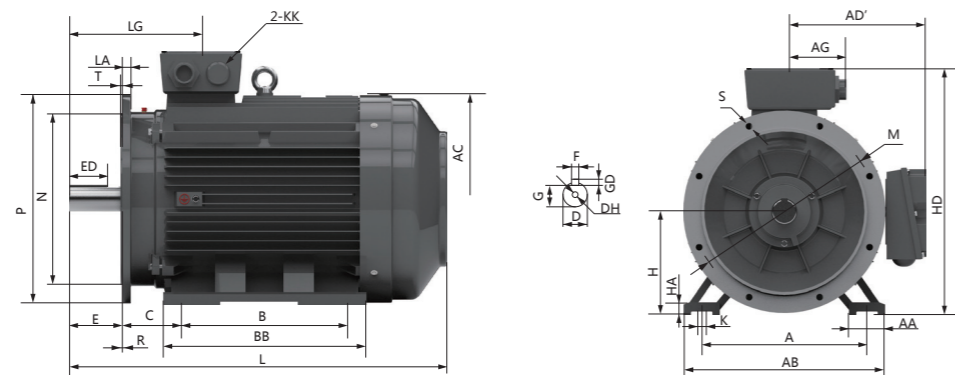
YFB2-80~132



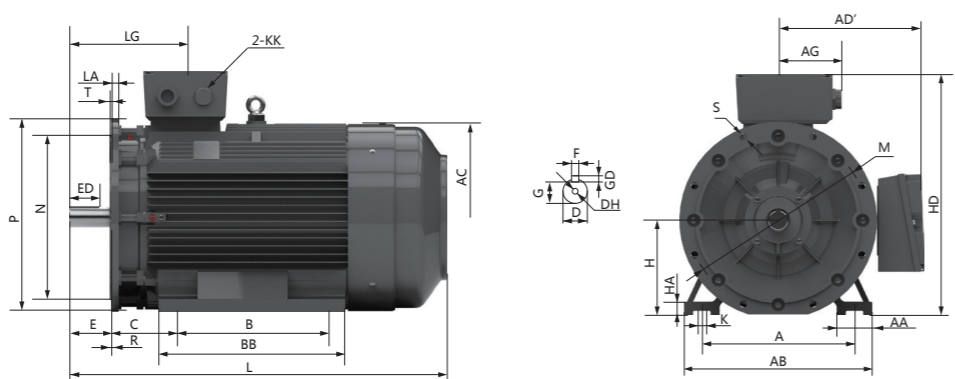
YFB2-160~200



YFB2-225~280



YFB2-315~355



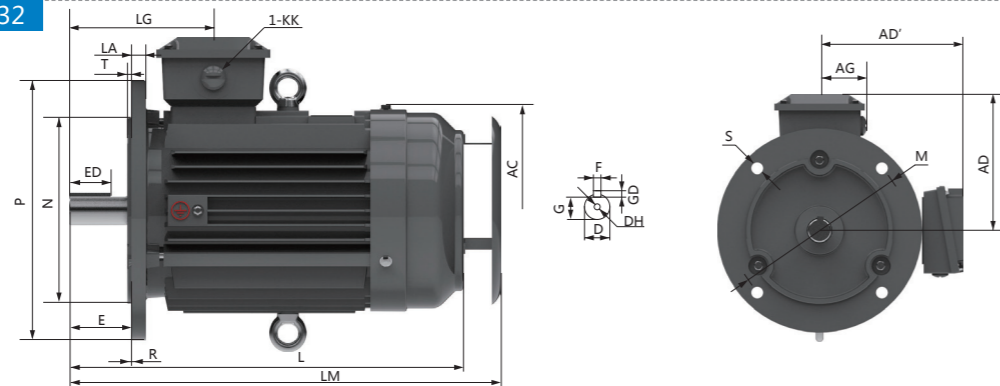
◆ B35 外形及安装尺寸 Dimensions Foot-Flange Mount B35

机座号 FRAME SIZE	极数 POLES	A	B	C	D	E	F	G	H	K	M	N	S	T	P	W	KK	AB	BB	AC	AD	AE	HD	L
80M	2-4	125	100	50	19	40	6	15.5	80	10	165	130	12	3.5	200	10	M20X1.5	156	142	175	90	34	240	302
90S	2-8	140	100	56	24	50	8	20	90	10	165	130	12	3.5	200	12.5	M20X1.5	176	180	190	94	36	270	360
90L	2-8	140	125	56	24	50	8	20	90	10	165	130	12	3.5	200	12.5	M20X1.5	176	210	190	94	36	270	390
100L	2-8	160	140	63	28	60	8	24	100	12	215	180	14.5	4	250	14	M20X1.5	198	233	215	94	40	290	435
112M	2-8	190	140	70	28	60	8	24	112	12	215	180	14.5	4	250	14	M25X1.5	226	252	236	110	45	322	461
132S	2-8	216	140	89	38	80	10	33	132	12	265	230	14.5	4	300	16	M25X1.5	260	220	275	110	52	365	492
132M	2-8	216	178	89	38	80	10	33	132	12	265	230	14.5	4	300	16	M25X1.5	260	258	275	110	52	365	530
160M	2-8	254	210	108	42	110	12	37	160	14.5	300	250	18.5	5	350	19	M32X1.5	314	302	330	137	65	439	668
160L	2-8	254	254	108	42	110	12	37	160	14.5	300	250	18.5	5	350	19	M32X1.5	314	325	330	137	65	439	690
180M	2-8	279	241	121	48	110	14	42.5	180	14.5	300	250	18.5	5	350	22	M32X1.5	345	330	380	137	70	472	733
180L	2-8	279	279	121	48	110	14	42.5	180	14.5	300	250	18.5	5	350	22	M32X1.5	345	370	380	137	70	472	781
200L	2-8	318	305	133	55	110	16	49	200	18.5	350	300	18.5	5	400	25	M40X1.5	388	363	420	176	70	520	798
225S	4, 8	356	286	149	60	140	18	53	225	18.5	400	350	18.5	5	450	28	M40X1.5	431	349	465	176	75	570	850
225M	2	356	311	149	55	110	16	49	225	18.5	400	350	18.5	5	450	28	M40X1.5	431	374	465	176	75	570	840
225M	4-8	356	311	149	60	140	18	53	225	18.5	400	350	18.5	5	450	28	M40X1.5	431	374	465	176	75	570	875
250M	2	406	349	168	60	140	18	53	250	24	500	450	18.5	5	550	33	M63X1.5	484	433	520	207	88	632	954
250M	4-8	406	349	168	65	140	18	58	250	24	500	450	18.5	5	550	33	M63X1.5	484	433	520	207	88	632	960
280S	2	457	368	190	65	140	18	58	280	24	500	450	18.5	5	550	35	M63X1.5	546	514	570	207	85	691	986
280S	4-8	457	368	190	75	140	20	67.5	280	24	500	450	18.5	5	550	35	M63X1.5	546	514	570	207	85	691	990
280M	2	457	419	190	65	140	18	58	280	24	500	450	18.5	5	550	35	M63X1.5	546	554	570	207	85	691	1026
280M	4-8	457	419	190	75	140	20	67.5	280	24	500	450	18.5	5	550	35	M63X1.5	546	554	570	207	85	691	1030
315S	2	508	406	216	65	140	18	58	315	28	600	550	24	6	660	45	M63X1.5	624	511	650	249	118	832	1162
315S	4-10	508	406	216	80	170	22	71	315	28	600	550	24	6	660	45	M63X1.5	624	511	650	249	118	832	1213
315M	2	508	457	216	65	140	18	58	315	28	600	550	24	6	660	45	M63X1.5	624	621	650	249	118	832	1272
315M	4-10	508	457	216	80	170	22	71	315	28	600	550	24	6	660	45	M63X1.5	624	621	650	249	118	832	1323
315L	2	508	508	216	65	140	18	58	315	28	600	550	24	6	660	45	M63X1.5	624	621	650	249	118	832	1272
315L	4-10	508	508	216	80	170	22	71	315	28	600	550	24	6	660	45	M63X1.5	624	621	650	249	118	832	1323
355M	2	610	560	254	75	140	20	67.5	355	28	740	680	24	6	800	49	M72X2	730	770	735	415	125	1019	1524
355M	4-10	610	560	254	95	170	25	86	355	28	740	680	24	6	800	49	M72X2	730	770	735	415	125	1019	1554
355L	2	610	630	254	75	140	20	67.5	355	28	740	680	24	6	800	49	M72X2	730	770	735	415	125	1019	1524
355L	4-10	610	630	254	95	170	25	86	355	28	740	680	24	6	800	49	M72X2	730	770	735	415	125	1019	1554
3551, 3552	2	610	630	254	75	140	20	67.5	355	28	740	680	24	6	800	49	M72X12	730	870	735	415	125	1019	1624
3551, 3552	4-10	610	630	254	95	170	25	86	355	28	740	680	24	6	800	49	M72X12	730	870	735	415	125	1019	1654

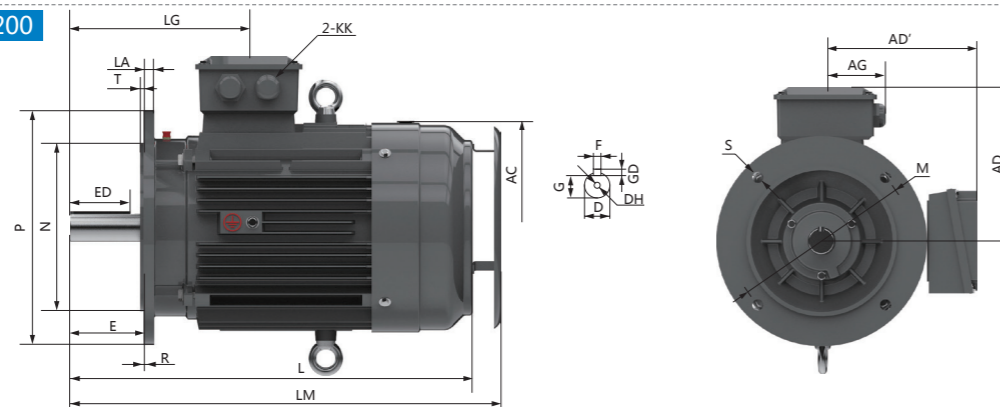
(此外形图用于 YFB2 防爆等级为 ExtDA21IP65T130°C)

◆ B5&V1 外形及安装尺寸 Dimensions Flange Mount B5&V1

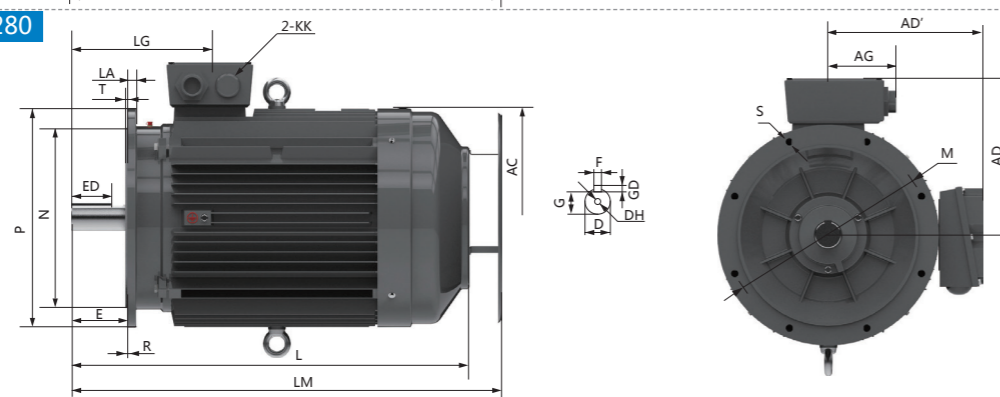
YFB2-80~132



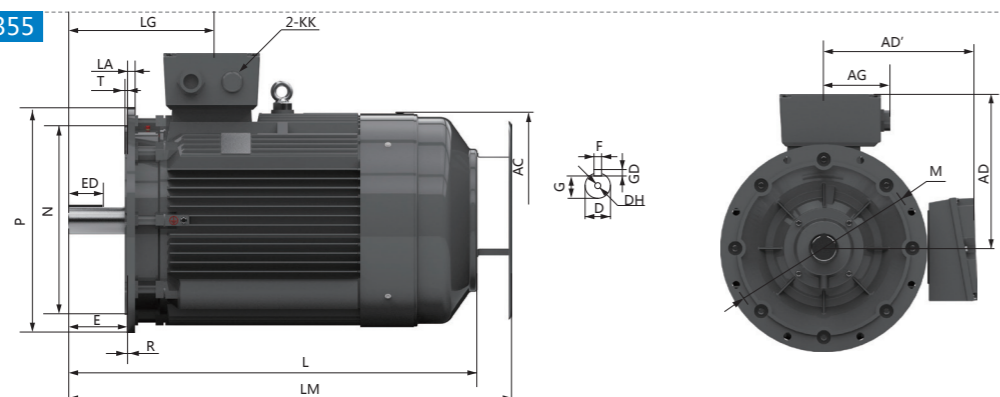
YFB2-160~200



YFB2-225~280



YFB2-315~355



◆ B5&V1 外形及安装尺寸 Dimensions Flange Mount B5&V1

机座号 FRAME SIZE	极数 POLES	D	E	F	G	M	N	S	T	P	KK	AD	HD	L(B5)	L1(V1)
80M	2-8	19	40	6	15.5	165	130	12	3.5	200	M20X1.5	90	160	302	402
90S	2-8	24	50	8	20	165	130	12	3.5	200	M20X1.5	94	180	360	460
90L	2-8	24	50	8	20	165	130	12	3.5	200	M20X1.5	94	180	390	490
100L	2-8	28	60	8	24	215	180	14.5	4	250	M20X1.5	94	190	435	535
112M	2-8	28	60	8	24	215	180	14.5	4	250	M25X1.5	110	210	461	561
132S	2-8	38	80	10	33	265	230	14.5	4	300	M25X1.5	110	233	492	592
132M	2-8	38	80	10	33	265	230	14.5	4	300	M25X1.5	110	233	530	630
160M	2-8	42	110	12	37	300	250	18.5	5	350	M32X1.5	137	279	668	768
160L	2-8	42	110	12	37	300	250	18.5	5	350	M32X1.5	137	279	690	790
180M	2-8	48	110	14	42.5	300	250	18.5	5	350	M32X1.5	137	292	733	833
180L	2-8	48	110	14	42.5	300	250	18.5	5	350	M32X1.5	137	292	781	881
200L	2-8	55	110	16	49	350	300	18.5	5	400	M40X1.5	176	320	798	898
225S	4, 8	60	140	18	53	400	350	18.5	5	450	M40X1.5	176	345	850	950
225M	2	55	110	16	49	400	350	18.5	5	450	M40X1.5	176	345	840	940
225M	4-8	60	140	18	53	400	350	18.5	5	450	M40X1.5	176	345	875	975
250M	2	60	140	18	53	500	450	18.5	5	550	M63X1.5	207	382	954	1054
250M	4-8	65	140	18	58	500	450	18.5	5	550	M63X1.5	207	382	954	1060
280S	2	65	140	18	58	500	450	18.5	5	550	M63X1.5	207	411	986	1086
280S	4-8	75	140	20	67.5	500	450	18.5	5	550	M63X1.5	207	411	990	1090
280M	2	65	140	18	58	500	450	18.5	5	550	M63X1.5	207	411	1026	1126
280M	4-8	75	140	20	67.5	500	450	18.5	5	550	M63X1.5	207	411	1030	1130
315S	2	65	140	18	58	600	550	24	6	660	M63X1.5	249	517	-	1262
315S	4-10	80	170	22	71	600	550	24	6	660	M63X1.5	249	517	-	1313
315M	2	65	140	18	58	600	550	24	6	660	M63X1.5	249	517	-	1372
315M	4-10	80	170	22	71	600	550	24	6	660	M63X1.5	249	517	-	1423
315L	2	65	140	18	58	600	550	24	6	660	M63X1.5	249	517	-	1372
315L	4-10	80	170	22	71	600	550	24	6	660	M63X1.5	249	517	-	1423
355M	2	75	140	20	67.5	740	680	24	6	800	M72X2	415	664	-	1624
355M	4-10	95	170	25	86	740	680	24	6	800	M72X2	415	664	-	1654
355L	2	75	140	20	67.5	740	680	24	6	800	M72X2	415	664	-	1624
355L	4-10	95	170	25	86	740	680	24	6	800	M72X2	415	664	-	1654
3551、3552	2	75	140	20	67.5	740	680	24	6	800	M72X2	415	664	-	1724
3551、3552	4-10	95	170	25	86	740	680	24	6	800	M72X2	415	664	-	1754

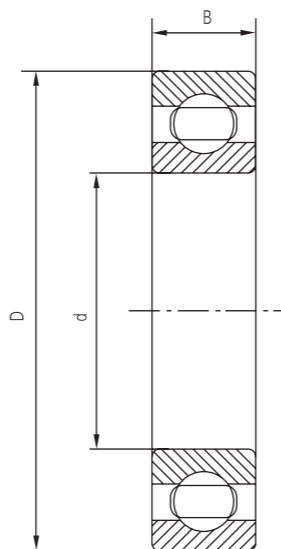
(此外形图用于 YFB2 防爆等级为 ExtDA21IP65T130°C)

轴承、密封 Bearing、Seal

轴承数据

电机型号 Motor Type	轴伸端 DE	非轴伸端 NDE	d	D	B
YFB2-80	6204ZZ	6204ZZ	20	47	14
YFB2-90	6205ZZ	6205ZZ	25	52	15
YFB2-100	6206ZZ	6206ZZ	30	62	16
YFB2-112	6306ZZ	6306ZZ	30	72	19
YFB2-132	6308ZZ	6308ZZ	40	90	23
YFB2-160	6309	6309	45	100	25
YFB2-180	6311	6311	55	120	29
YFB2-200	6312	6312	60	130	31
YFB2-225	6313	6313	65	140	33
YFB2-250	6314	6314	70	150	35
YFB2-280 2P	6314	6314	70	150	35
YFB2-280 4-8P	6317	6317	85	180	41
YFB2-315 2P	6316	6316	80	170	39
YFB2-315 4-8P	6319	6319	95	200	45
YFB2-355(2P) (B3,B35)	6319	6319	95	200	45
YFB2-355(2P)V1	6319	7319	95	200	45
YFB2-355(4-8P) (B3,B35)	6322	6322	110	240	50
YFB2-355(4-68)V1	6322	7322	110	240	50
YFB2-3551、3552(2P) (B3,B35)	6319/C3	6319/C3	95	200	45
YFB2-3551、3552(4-8P) (B3,B35)	6324	6324	120	260	55
YFB2-3551、3552(2P) V1	6319C3	7319	95	200	45
YFB2-3551、3552(4-8P) V1	6324	7324	110	260	55

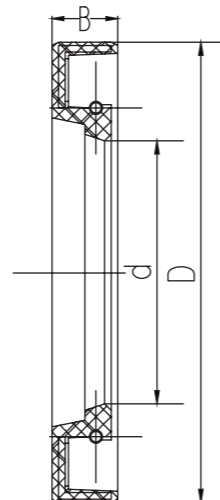
轴承数据
bearing data



骨架油封圈数据

电机型号 Motor Type	驱动端 (D.E.)			非驱动端 (N.D.E.)		
	d	D	B	d	D	B
YFB2-80	20	35	5	20	35	5
YFB2-90	25	40	5	25	40	5
YFB2-100	30	52	7	30	52	7
YFB2-112	30	52	7	30	52	7
YFB2-132	40	62	5	40	62	5
YFB2-160	45	65	8	45	65	8
YFB2-180	55	75	8	55	75	8
YFB2-200	60	80	8	60	80	8
YFB2-225	65	90	10	65	90	10
YFB2-250	70	95	10	70	95	10
YFB2-280-2	70	95	10	70	95	10
YFB2-280-4.6.8	85	110	12	85	110	12
YFB2-315-2	80	100	10	80	100	10
YFB2-315-4.6.8	95	120	12	95	120	12
YFB2-355-2	95	120	12	95	120	12
YFB2-355-4.6.8	110	140	12	110	140	12
YFB2-35512(2P)	95	120	12	95	120	12
YFB2-35512(4-8P)	120	150	12	120	150	12

油封数据
oil seal data



安装型式 Mounting Arrangements

卧式底脚安装 Foot mig horiz	凸缘安装 Flange mig	底脚凸缘安装 Foot/Flange mig	立式底脚安装 Foot mig vert
B3 IM1001 H80 ~ 355	B5 IM3001 H80 ~ 280	B35 IM2001 H80 ~ 355	
B6 IM1051 H80 ~ 160	V1 IM3011 H80 ~ 355	V15 IM2011 H80 ~ 160	V5 IM1011 H80 ~ 160
B7 IM1061 H80 ~ 160	V3 IM3031 H80 ~ 160	V36 IM2031 H80 ~ 160	V6 IM1031 H80 ~ 160
B8 IM1071 H80 ~ 160			

接线指示图 鼠笼式三相电动机 Connection Diagrams Three phase motors with cage rotor

Y接 Star Connection	△接Y Delta Connection	-△启动连接 Star-Delta Connection

YFB3 粉尘防爆型高效率三相异步电动机

YFB3 series dust explosion-proof high efficiency three-phase asynchronous motor



产品概述 Product Introduction

YFB3 系列粉尘防爆型高效率三相异步电动机符合 GB18613-2012《中小型三相异步电动机能效限定值及能效等级》中规定的二级效率标准。电动机按照 GB/T12476.5-2013 的规定防爆标志为 Ex tD A21 IP65 T130°C。适用于具有爆炸性粉尘混合物的场所。

执行标准为 Q/1082SHL054-2017

YFB3 series dust explosion-proof type high efficiency three-phase asynchronous motor is in line with the second efficiency standard in the provisions of GB18613-2012 ". According to the provisions of GB/ t12476.5-2013, the explosion-proof mark of the motor is Ex tD A21 IP65 T130, which is applicable to the place with explosive dust mixture

Executive standard is Q/1082SHL054-2017

详细说明 Specification

◆现场条件

YFB3 系列电动机标准工作条件为海拔不超过 1000m，环境温度最低为 -15°C，环境温度最高为 40°C

◆温升和绝缘

电动机按 F 级绝缘设计 (155°C)，按 B 级绝缘考核 (80K)，电动机的使用寿命和可靠性得到保证。

◆冷却和通风

标准冷却方式为全封闭自扇冷。标准电机装有辅流式塑料风扇。符合 IEC60034-6 中 IC411 的规定。

◆防护等级

电动机的防护等级为 IP65，可用于具有爆炸性粉尘混合物的场所。

◆电压、频率

机座号 80-100 电压为 220V、380V、220/380V。

机座号 112-355 电压为 380V、660V、380/660V。

◆额定频率为 50HZ

在供电电压偏离额定电压 ±5% 的情况下，仍能良好运行。

◆接线盒位置

接线盒在机座上方可以四个方向进线，出线口安装粉尘防爆专用的电缆锁紧头。

◆质量保证

从产品设计到产品出厂，遵循 ISO9001 质量认证体系，严格遵守质量程序。

◆ Site conditions

The standard working conditions of YFB3 series motors are as follows : The altitude is not more than 1000 meters, the lowest ambient temperature is -15 °C , and the highest ambient temperature is 40°C .

◆ Temperature rise and insulation

The motor is designed according to grade F insulation (155°C) and assessed according to grade B insulation (80K). The service life and reliability of the motor are guaranteed

◆ Cooling and ventilation

The standard cooling method is fully enclosed self-fan cooling standard motor equipped with auxiliary flow plastic fan in accordance with the provisions of IC411 in IEC60034-6

◆ Protection class

The standard protection class of motor is IP65, can be used in places with explosive dust mixture.

◆ Voltage、frequency

Frame size 80-100, the voltage is 220V、380V、220/380V. Frame size 112-355, the voltage is 380V 660V 380/660v

◆ Rated frequency is 50HZ

Under the condition that the supply voltage deviates from the rated voltage by 5%, it can still run well.

◆ Terminal box position

The standard protection class of motor is IP65, can be used in places with explosive dust mixture.

◆ Quality guarantee

From the product design to the delivery of products, follow the ISO9001 quality certification system, strict compliance with quality procedures

技术数据 Technical Data

2 极 – 同步转速 3000r/min 50HZ
2pole-3000rpm synchronous speed 50HZ

型号 Motor Type	额定 功率 Rated Output KW	额定 转速 Rated Speed rpm	额定 电流 IFL 380V A	效率 EFF %	功率 因数 Power Factor cosφ	额定 转矩 Rated Torque N.m	堵转转矩		堵转电流		转动 惯量 M of I kgm2	噪音 Noise Level LW dB (A)	重量 Net Weight kg
							额定转矩 TST/TFL	最大转矩 TM/TFL	额定电流 IST/IFL	堵转电流			
YFB3-80M1-2	0.75	2855	1.7	80.7%	0.82	2.5	2.3	2.3	7	0.001	62	17	
YFB3-80M2-2	1.1	2855	2.4	82.7%	0.83	3.7	2.2	2.3	7.3	0.002	62	20	
YFB3-90S-2	1.5	2875	3.2	84.2%	0.84	5.0	2.2	2.3	7.6	0.002	67	24	
YFB3-90L-2	2.2	2875	4.6	85.9%	0.85	7.3	2.2	2.3	7.6	0.003	67	29	
YFB3-100L-2	3	2880	6.0	87.1%	0.87	9.9	2.2	2.3	7.8	0.006	74	42	
YFB3-112M-2	4	2900	7.8	88.1%	0.88	13.2	2.2	2.3	8.3	0.009	77	48	
YFB3-132S1-2	5.5	2900	10.6	89.2%	0.88	18.1	2	2.3	8.3	0.024	79	70	
YFB3-132S2-2	7.5	2900	14.4	90.1%	0.88	24.7	2	2.3	7.9	0.029	79	74	
YFB3-160M1-2	11	2940	20.6	91.2%	0.89	35.7	2	2.3	8.1	0.067	81	120	
YFB3-160M2-2	15	2940	27.9	91.9%	0.89	48.7	2	2.3	8.1	0.080	81	130	
YFB3-160L-2	18.5	2940	34.2	92.4%	0.89	60.1	2	2.3	8.2	0.097	81	148	
YFB3-180M-2	22	2955	40.5	92.7%	0.89	71.1	2	2.3	8.2	0.137	83	192	
YFB3-200L1-2	30	2965	54.9	93.3%	0.89	96.6	2	2.3	7.6	0.227	84	248	
YFB3-200L2-2	37	2965	67.4	93.7%	0.89	119.2	2	2.3	7.6	0.269	84	270	
YFB3-225M-2	45	2970	80.8	94.0%	0.9	144.7	2	2.3	7.7	0.360	86	324	
YFB3-250M-2	55	2975	98.5	94.3%	0.9	176.6	2	2.3	7.7	0.791	89	438	
YFB3-280S-2	75	2975	133.7	94.7%	0.9	240.8	1.8	2.3	7.1	0.960	91	565	
YFB3-280M-2	90	2975	159.9	95.0%	0.9	288.9	1.8	2.3	7.1	1.157	91	598	
YFB3-315S-2	110	2980	195.1	95.2%	0.9	352.5	1.8	2.3	7.1	1.662	92	956	
YFB3-315M-2	132	2980	220.4	95.4%	0.9	423.0	1.8	2.3	7.1	1.874	92	960	
YFB3-315L1-2	160	2980	279.4	95.6%	0.91	512.8	1.8	2.3	7.2	2.146	92	1060	
YFB3-315L-2	185	2980	322.8	95.7%	0.91	592.9	1.8	2.2	7.2	2.481	92	1140	
YFB3-315L2-2	200	2980	348.6	95.8%	0.91	640.9	1.8	2.2	7.2	2.448	92	1080	
YFB3-355M1-2	220	2980	383.4	95.8%	0.91	705.0	1.6	2.2	7.2	3.200	100	1560	
YFB3-355M2-2	250	2980	435.7	95.8%	0.91	801.2	1.6	2.2	7.2	3.800	100	1620	
YFB3-355L1-2	280	2980	488.0	95.8%	0.91	897.3	1.6	2.2	7.2	4.449	100	1720	
YFB3-355L2-2	315	2980	549.0	95.8%	0.91	1009.5	1.6	2.2	7.2	4.820	100	2017	
YFB3-3551-2	355	2980	618.7	95.8%	0.91	1137.6	1.6	2.2	7.2	5.200	104	2150	
YFB3-3552-2	375	2980	653.6	95.8%	0.91	1201.7	1.6	2.2	7.2	5.500	104	2280	

技术数据 Technical Data

4 极 – 同步转速 1500r/min 50HZ
4pole-1500rpm synchronous speed 50HZ

型号 Motor Type	额定 功率 Rated Output KW	额定 转速 Rated Speed rpm	额定 电流 IFL 380V A	效率 EFF %	功率 因数 Power Factor cosφ	额定 转矩 Rated Torque N.m	堵转转矩		堵转电流		转动 惯量 M of I kgm2	噪音 Noise Level LW dB (A)	重量 Net Weight kg
							额定转矩 TST/TFL	最大转矩 TM/TFL	额定电流 IST/IFL	堵转电流			
YFB3-80M2-4	0.75	1400	1.8	82.5%	0.75	5.1	2.3	2.3	6.6	0.003	56	16	
YFB3-90S-4	1.1	1425	2.6	84.1%	0.76	7.4	2.3	2.3	6.8	0.004	59	25	
YFB3-90L-4	1.5	1425	3.5	85.3%	0.77	10.1	2.3	2.3	7	0.005	59	31	
YFB3-100L1-4	2.2	1440	4.8	86.7%	0.81	14.6	2.3	2.3	7.6	0.012	64	43	
YFB3-100L2-4	3	1440	6.3	87.7%	0.82	19.9	2.3	2.3	7.6	0.016	64	42	
YFB3-112M-4	4	1450	8.4	88.6%	0.82	26.3	2.2	2.3	7.8	0.022	65	54	
YFB3-132S-4	5.5	1455	11.2	89.6%	0.83	36.1	2	2.3	7.9	0.060	71	70	
YFB3-132M-4	7.5	1455	15.0	90.4%	0.84	49.2	2	2.3	7.5	0.071	71	84	
YFB3-160M-4	11	1465	21.5	91.4%	0.85	71.7	2.2	2.3	7.7	0.137	73	128	
YFB3-160L-4	15	1465	28.8	92.1%	0.86	97.8	2.2	2.3	7.8	0.171	73	150	
YFB3-180M-4	18.5	1470	35.3	92.6%	0.86	120.2	2	2.3	7.8	0.238	76	182	
YFB3-180L-4	22	1475	41.8	93.0%	0.86	142.4	2	2.3	7.8	0.259	76	223	
YFB3-200L-4	30	1475	56.6	93.6%	0.86	194.2	2	2.3	7.3	0.459	76	300	
YFB3-225S-4	37	1480	69.6	93.9%	0.86	238.8	2	2.3	7.4	0.656	78	354	
YFB3-225M-4	45	1480	84.4	94.2%	0.86	290.4	2	2.3	7.4	0.758	78	342	
YFB3-250M-4	55	1480	102.7	94.6%	0.86	354.9	2.2	2.3	7.4	1.078	79	460	
YFB3-280S-4	75	1485	136.3	95.0%	0.88	482.3	2	2.3	6.9	1.800	80	581	
YFB3-280M-4	90	1485	163.2	95.2%	0.88	578.8	2	2.3	6.9	2.130	80	658	
YFB3-315S-4	110	1485	196.8	95.4%	0.89	707.4	2	2.2	7	3.415	88	914	
YFB3-315M-4	132	1485	235.7	95.6%	0.89	848.9	2	2.2	7	3.807	88	1034	
YFB3-315L1-4	160	1485	285.1	95.8%	0.89	1029.0	2	2.2	7.1	3.423	88	1078	
YFB3-315L-4	185	1485	329.3	95.9%	0.89	1189.7	2	2.2	7.1	3.958	88	1150	
YFB3-315L2-4	200	1485	351.7	96.0%	0.9	1286.2	2	2.2	7.1	5.262	88	1200	
YFB3-355M1-4	220	1490	386.9	96.0%	0.9	1410.1	2.0	2.2	7.1	8.4	95	1650	
YFB3-355M2-4	250	1490	439.6	96.0%	0.9	1602.3	2.0	2.2	7.1	9.2	95	1750	
YFB3-355L1-4	280	1490	492.4	96.0%	0.9	1794.6	2.0	2.2	7.1	9.9	95	1870	
YFB3-355L2-4	315	1490	553.9	96.0%	0.9	2019.0	2.0	2.2	7.1	10.2	95	1984	
YFB3-3551-4	355	1490	638.5	96.0%	0.88	2275.3	1.7	2.2	7.0	11.4	102	2375	
YFB3-3552-4	375	1490	674.4	96.0%	0.88	2403.5	1.7	2.2	7.0	12.8	102	2420	

技术数据 Technical Data

6极 – 同步转速 1000r/min 50HZ
6pole-1000rpm synchronous speed 50HZ

型号 Motor Type	额定功率 Rated Output KW	额定转速 Rated Speed rpm	额定电流 IFL 380V A	额定电流 IFL 400V A	额定电流 IFL 415V A	额定电流 IFL 525V A	效率 EFF %	功率因数 Power Factor cosφ	额定转矩 Rated Torque N.m	堵转转矩 TST/TFL	最大转矩 TM/TFL	堵转电流 IST/IFL	转动惯量 M of I kgm ²	噪音 Noise Level LW dB(A)	重量 Net Weight kg
YFB3-90S-6	0.75	935	2.0	1.9	1.9	1.5	78.9%	0.71	7.7	2.0	2.1	6	0.004	57	25
YFB3-90L-6	1.1	940	2.8	2.7	2.6	2.0	81.0%	0.73	11.2	2.0	2.1	6	0.006	57	30
YFB3-100L-6	1.5	945	3.8	3.6	3.5	2.7	82.5%	0.73	15.2	2.0	2.1	6.5	0.016	61	40
YFB3-112M-6	2.2	950	5.4	5.1	4.9	3.9	84.3%	0.74	22.1	2.0	2.1	6.6	0.039	65	39
YFB3-132S-6	3	960	7.2	6.8	6.6	5.2	85.6%	0.74	29.8	2.0	2.1	6.8	0.035	69	61
YFB3-132M1-6	4	960	9.5	9.0	8.7	6.8	86.8%	0.74	39.8	2.0	2.1	6.8	0.043	69	70
YFB3-132M2-6	5.5	960	12.7	12.0	11.6	9.2	88.0%	0.75	54.7	2.0	2.1	7	0.056	69	78
YFB3-160M-6	7.5	970	16.2	15.4	14.8	11.7	89.1%	0.79	73.8	2.0	2.1	7	0.140	73	116
YFB3-160L-6	11	970	23.1	22.0	21.2	16.7	90.3%	0.80	108.3	2.0	2.1	7.2	0.192	73	142
YFB3-180L-6	15	975	30.9	29.3	28.2	22.3	91.2%	0.81	146.9	2.0	2.1	7.3	0.319	73	188
YFB3-200L1-6	18.5	975	37.8	36.0	34.7	27.4	91.7%	0.81	181.2	2.0	2.1	7.3	0.446	73	234
YFB3-200L2-6	22	975	44.8	42.5	41.0	32.4	92.2%	0.81	215.5	2.0	2.1	7.4	0.557	73	275
YFB3-225M-6	30	985	59.1	56.2	54.1	42.8	92.9%	0.83	290.9	2.0	2.1	6.9	0.832	74	332
YFB3-250M-6	37	985	71.7	68.1	65.7	51.9	93.3%	0.84	358.7	2.0	2.1	7.1	1.45	76	422
YFB3-280S-6	45	985	85.8	81.6	78.6	62.1	93.7%	0.85	436.3	2.0	2.0	7.3	2.25	78	536
YFB3-280M-6	55	985	103.3	98.1	94.6	74.7	94.1%	0.86	533.2	2.0	2.0	7.3	2.73	78	590
YFB3-315S-6	75	990	143.4	136.2	131.3	103.8	94.6%	0.84	723.5	2.0	2.0	6.6	3.98	83	848
YFB3-315M-6	90	990	169.5	161.0	155.2	122.7	94.9%	0.85	868.2	2.0	2.0	6.7	4.50	83	942
YFB3-315L1-6	110	990	206.8	196.4	189.3	149.7	95.1%	0.85	1061.1	2.0	2.0	6.7	5.61	83	980
YFB3-315L2-6	132	990	244.5	232.2	223.8	176.9	95.4%	0.86	1273.3	2.0	2.0	6.8	6.93	83	1140
YFB3-355M1-6	160	990	295.7	281.0	270.7	214.0	95.6%	0.86	1543.4	1.8	2.0	6.7	10.5	85	1790
YFB3-355M-6	185	990	341.5	324.5	312.7	247.2	95.7%	0.86	1784.6	1.8	2.0	6.8	11.9	85	1680
YFB3-355M2-6	200	990	364.6	346.4	333.8	263.9	95.8%	0.87	1929.3	1.8	2.0	6.8	12.9	85	1945
YFB3-355L1-6	220	990	401.0	381.0	367.2	290.3	95.8%	0.87	2122.2	1.8	2.0	6.8	13.4	85	1810
YFB3-355L2-6	250	990	455.7	433.0	417.3	330.0	95.8%	0.87	2411.6	1.8	2.0	6.8	13.9	85	1960
YFB3-3551-6	280	990	510.4	485.0	467.4	369.5	95.8%	0.87	2701.0	1.8	2.0	6.8	14.3	91	2350
YFB3-3552-6	315	990	581.0	551.9	532.0	420.5	95.8%	0.86	3038.6	1.8	2.0	6.8	14.8	91	2440

技术数据 Technical Data

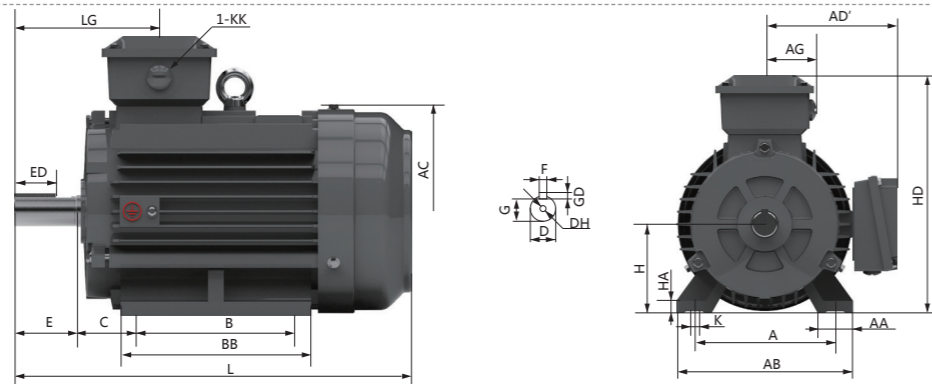
8极 – 同步转速 750r/min 50HZ
8pole-750rpm synchronous speed 50HZ

型号 Motor Type	额定功率 Rated Output KW	额定转速 Rated Speed rpm	额定电流 IFL 380V A	额定电流 IFL 400V A	额定电流 IFL 415V A	额定电流 IFL 525V A	效率 EFF %	功率因数 Power Factor cosφ	额定转矩 Rated Torque N.m	堵转转矩 TST/TFL	最大转矩 TM/TFL	堵转电流 IST/IFL	转动惯量 M of I kgm ²	噪音 Noise Level LW dB(A)	重量 Net Weight kg
YFB3-100L1-8	0.75	695	2.3	2.2	2.1	1.6	75.0%	0.67	10.3	1.8	2.0	6.2	0.008	59	40
YFB3-100L2-8	1.1	695	3.1	3.0	2.9	2.3	77.7%	0.69	15.1	1.8	2.0	6.2	0.010	59	42
YFB3-112M-8	1.5	695	4.1	3.9	3.7	3.0	79.7%	0.70	20.6	1.8	2.0	6.7	0.017	61	45
YFB3-132S-8	2.2	715	5.7	5.5	5.3	4.2	81.9%	0.71	29.4	1.8	2.0	6.7	0.031	64	60
YFB3-132M-8	3	715	7.5	7.1	6.8	5.4	83.5%	0.73	40.1	1.8	2.0	6.9	0.040	64	70
YFB3-160M1-8	4	725	9.8	9.3	9.0	7.1	84.8%	0.73	52.7	1.9	2.0	6.9	0.075	68	100
YFB3-160L2-8	5.5	725	13.1	12.4	12.0	9.5	86.2%	0.74	72.4	1.9	2.0	6.9	0.093	68	120
YFB3-160L-8	7.5	725	17.4	16.5	15.9	12.6	87.3%	0.75	98.8	1.9	2.0	6.6	0.126	68	130
YFB3-180L-8	11	735	25.2	23.9	23.0	18.2	88.6%	0.75	142.9	2	2.0	6.6	0.203	70	190
YFB3-200L-8	15	735	33.5	31.8	30.6	24.2	89.6%	0.76	194.9	2	2.0	6.8	0.339	73	230
YFB3-225S-8	18.5	735	41.0	39.0	37.6	29.7	90.1%	0.76	240.4	1.9	2.0	6.8	0.491	73	270
YFB3-225M-8	22	745	47.3	44.9	43.3	34.2	90.6%	0.78	282.0	1.9	2.0	7.0	0.547	73	300
YFB3-250M-8	30	745	63.2	60.0	57.9	45.7	91.3%	0.79	384.6	1.9	2.0	6.7	0.830	75	390
YFB3-280S-8	37	745	77.5	73.6	71.0	56.1	91.8%	0.79	474.3	1.9	2.0	6.7	1.390	76	510
YFB3-280M-8	45	745	93.9	89.2	86.0	67.9	92.2%	0.79	576.8	1.9	2.0	6.7	1.650	76	560
YFB3-315S-8	55	745	111.5	106.0	102.1	80.7	92.5%	0.81	705.0	1.8	2.0	6.8	4.790	82	770
YFB3-315M-8	75	745	151.1	143.6	138.4	109.4	93.1%	0.81	961.4	1.8	2.0	6.3	5.580	82	1000
YFB3-315L1-8	90	745	178.5	169.6	163.5	129.2	93.4%	0.82	1153.7	1.8	2.0	6.4	6.370	82	1060
YFB3-315L2-8	110	745	217.5	206.6	199.2	157.4	93.7%	0.82	1410.1	1.8	2.0	6.4	7.230	82	1060
YFB3-355M1-8	132	745	263.4	250.2	241.2	190.7	94.0%	0.82	1692.1	1.8	2.0	6.5	11.73	89	1680
YFB3-355M-8	160	745	318.3	302.4	291.4	230.4	94.3%	0.82	2051.0	1.8	2.0	7.4	12.48	89	1760
YFB3-355L1-8	185	745	368.0	349.6	337	266.4	94.3%	0.82	2371.5	1.8	2.0	6.6	12.86	89	1850
YFB3-355L2-8	200	745	396.6	376.7	363.1	287	94.6%	0.82	2563.8	1.8	2.0	8.4	13.85	89	1990
YFB3-3551-8	220	745	436.2	414.4	399.5	315.8	94.6%	0.83	2820.1	1.8	2.0	6.7	14.23	89	2380
YFB3-3552-8	250	745	495.7	471	454	358.8	94.6%	0.83	3204.7	1.8	2.0	9.4	14.85	89	2430

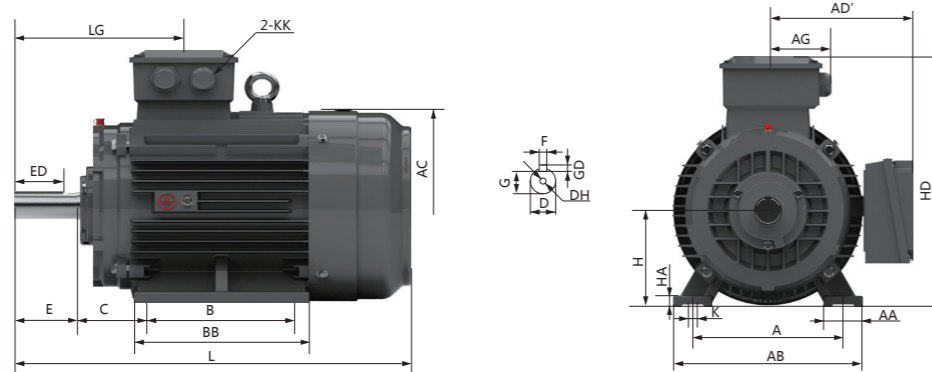
◆ B3 外形及安装尺寸 Dimensions Foot Mount B3

◆ B3 外形及安装尺寸 Dimensions Foot Mount B3

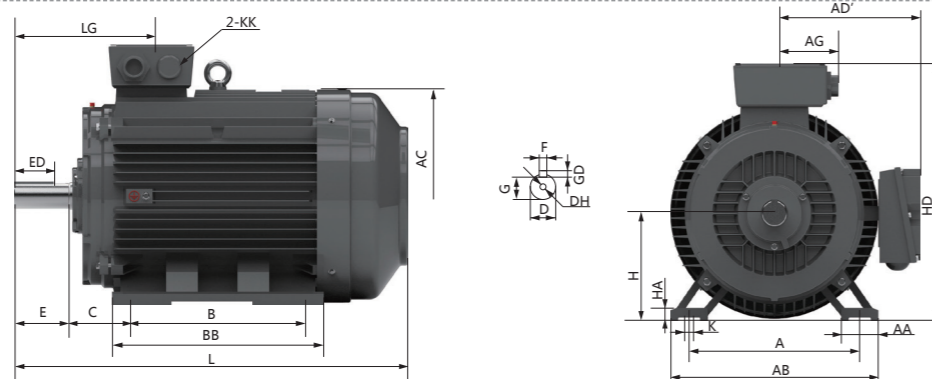
YFB3-80~132



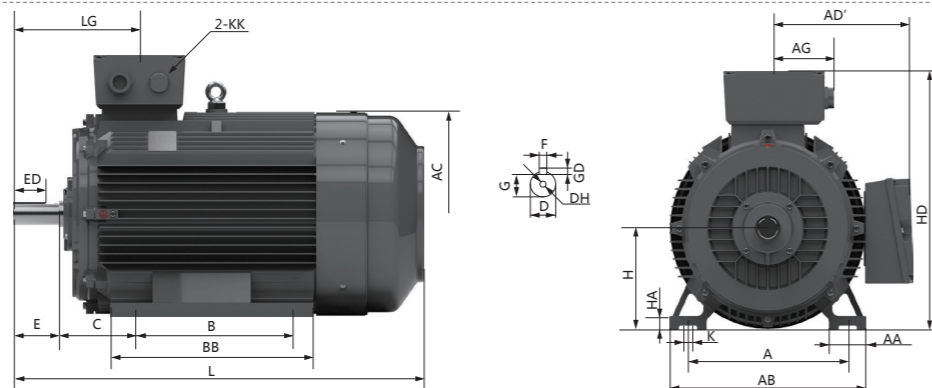
YFB3-160~200



YFB3-225~280



YFB3-315~355

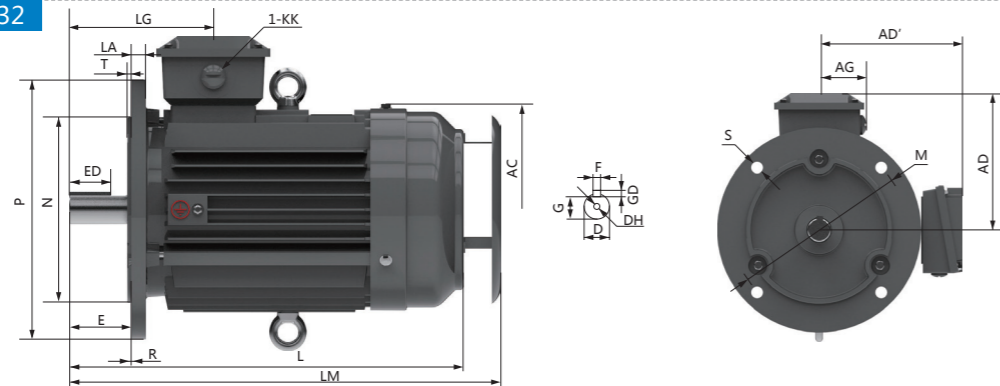


机座号 FRAME SIZE	极数 POLES	A	B	C	D	E	F	G	H	P	KK	K	AB	BB	AE	AC	AD	HD	L
80M	2-8	125	100	50	19	40	6	15.5	80	10	M20X1.5	10	156	142	34	175	90	240	302
90S	2-8	140	100	56	24	50	8	20	90	12.5	M20X1.5	10	176	180	36	190	94	270	360
90L	2-8	140	125	56	24	50	8	20	90	12.5	M20X1.5	10	176	210	36	190	94	270	390
100L	2-8	160	140	63	28	60	8	24	100	14	M20X1.5	12	198	233	40	215	94	290	435
112M	2-8	190	140	70	28	60	8	24	112	14	M25X1.5	12	226	252	45	236	110	322	461
132S	2-8	216	140	89	38	80	10	33	132	16	M25X1.5	12	260	220	52	275	110	365	492
132M	2-8	216	178	89	38	80	10	33	132	16	M25X1.5	12	260	258	52	275	110	365	530
160M	2-8	254	210	108	42	110	12	37	160	19	M32X1.5	14.5	314	302	65	330	137	439	668
160L	2-8	254	254	108	42	110	12	37	160	19	M32X1.5	14.5	314	325	65	330	137	439	690
180M	2-8	279	241	121	48	110	14	42.5	180	22	M32X1.5	14.5	345	330	70	380	137	472	733
180L	2-8	279	279	121	48	110	14	42.5	180	22	M32X1.5	14.5	345	370	70	380	137	472	781
200L	2-8	318	305	133	55	110	16	49	200	25	M40X1.5	18.5	388	363	70	420	176	520	798
225S	4, 8	356	286	149	60	140	18	53	225	28	M40X1.5	18.5	431	349	75	465	176	570	850
225M	2	356	311	149	55	110	16	49	225	28	M40X1.5	18.5	431	374	75	465	176	570	840
225M	4-8	356	311	149	60	140	18	53	225	28	M40X1.5	18.5	431	374	75	465	176	570	875
250M	2	406	349	168	60	140	18	53	250	33	M63X1.5	24	484	433	88	520	207	632	954
250M	4-8	406	349	168	65	140	18	58	250	33	M63X1.5	24	484	433	88	520	207	632	960
280S	2	457	368	190	65	140	18	58	280	35	M63X1.5	24	546	514	85	570	207	691	986
280S	4-8	457	368	190	75	140	20	67.5	280	35	M63X1.5	24	546	514	85	570	207	691	990
280M	2	457	419	190	65	140	18	58	280	35	M63X1.5	24	546	554	85	570	207	691	1026
280M	4-8	457	419	190	75	140	20	67.5	280	35	M63X1.5	24	546	554	85	570	207	691	1030
315S	2	508	406	216	65	140	18	58	315	45	M63X1.5	28	624	511	118	650	249	832	1162
315S	4-10	508	406	216	80	170	22	71	315	45	M63X1.5	28	624	511	118	650	249	832	1213
315M	2	508	457	216	65	140	18	58	315	45	M63X1.5	28	624	621	118	650	249	832	1272
315M	4-10	508	457	216	80	170	22	71	315	45	M63X1.5	28	624	621	118	650	249	832	1323
315L	2	508	508	216	65	140	18	58	315	45	M63X1.5	28	624	621	118	650	249	832	1272
315L	4-10	508	508	216	80	170	22	71	315	45	M63X1.5	28	624	621	118	650	249	832	1323
355M	2	610	560	254	75	140	20	67.5	355	49	M72X2	28	730	770	125	735	415	1019	1524
355M	4-10	610	560	254	95	170	25	86	355	49	M72X2	28	730	770	125	735	415	1019	1554
355L	2	610	630	254	75	140	20	67.5	355	49	M72X2	28	730	770	125	735	415	1019	1524
355L	4-10	610	630	254	95	170	25	86	355	49	M72X2	28	730	770	125	735	415	1019	1554
3551、3552	2	610	630	254	75	140	20	67.5	355	49	M72X2	28	730	870	125	735	415	1019	1624
3551、3552	4-10	610	630	254	95	170	25	86	355	49	M72X2	28	730	870	125	735	415	1019	1654

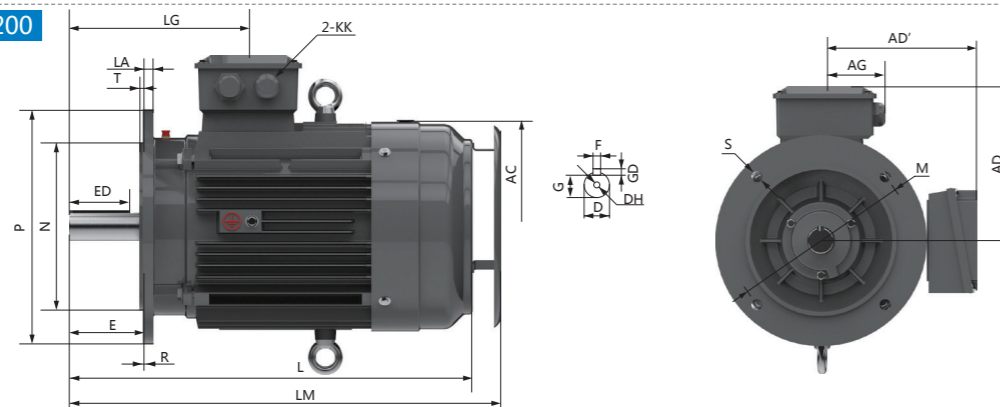
(此外形图用于 YFB2 防爆等级为 ExtDA21IP65T130°C)

◆ B5&V1 外形及安装尺寸 Dimensions Flange Mount B5&V1

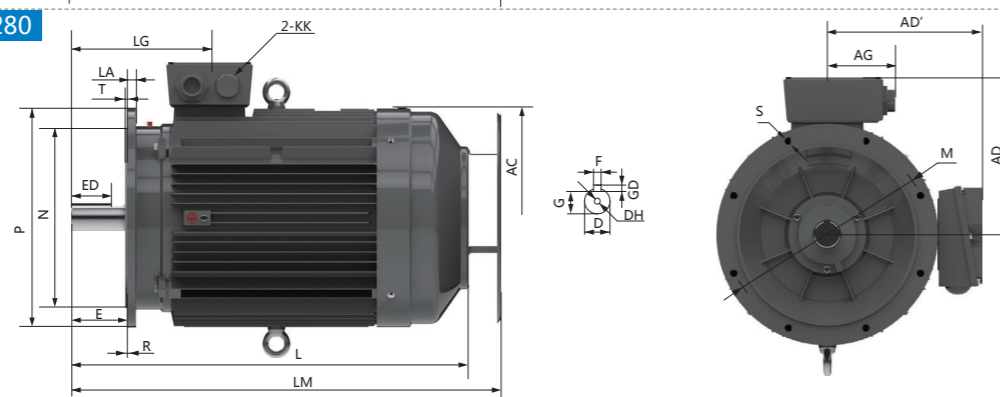
YFB3-80~132



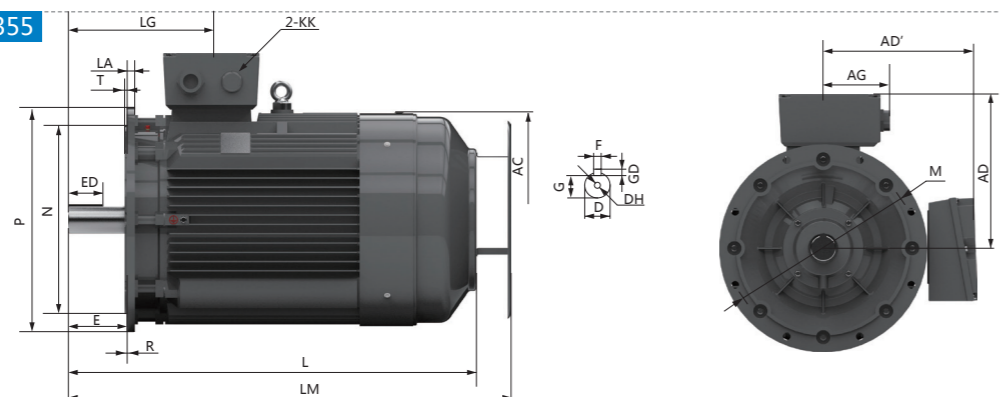
YFB3-160~200



YFB3-225~280



YFB3-315~355



◆ B5&V1 外形及安装尺寸 Dimensions Flange Mount B5&V1

机座号 FRAME SIZE	极数 POLES	D	E	F	G	M	N	S	T	P	KK	AD	HD	L(B5)	L1(V1)
80M	2-8	19	40	6	15.5	165	130	12	3.5	200	M20X1.5	90	160	302	402
90S	2-8	24	50	8	20	165	130	12	3.5	200	M20X1.5	94	180	360	460
90L	2-8	24	50	8	20	165	130	12	3.5	200	M20X1.5	94	180	390	490
100L	2-8	28	60	8	24	215	180	14.5	4	250	M20X1.5	94	190	435	535
112M	2-8	28	60	8	24	215	180	14.5	4	250	M25X1.5	110	210	461	561
132S	2-8	38	80	10	33	265	230	14.5	4	300	M25X1.5	110	233	492	592
132M	2-8	38	80	10	33	265	230	14.5	4	300	M25X1.5	110	233	530	630
160M	2-8	42	110	12	37	300	250	18.5	5	350	M32X1.5	137	279	668	768
160L	2-8	42	110	12	37	300	250	18.5	5	350	M32X1.5	137	279	690	790
180M	2-8	48	110	14	42.5	300	250	18.5	5	350	M32X1.5	137	292	733	833
180L	2-8	48	110	14	42.5	300	250	18.5	5	350	M32X1.5	137	292	781	881
200L	2-8	55	110	16	49	350	300	18.5	5	400	M40X1.5	176	320	798	898
225S	4, 8	60	140	18	53	400	350	18.5	5	450	M40X1.5	176	345	850	950
225M	2	55	110	16	49	400	350	18.5	5	450	M40X1.5	176	345	840	940
225M	4-8	60	140	18	53	400	350	18.5	5	450	M40X1.5	176	345	875	975
250M	2	60	140	18	53	500	450	18.5	5	550	M63X1.5	207	382	954	1054
250M	4-8	65	140	18	58	500	450	18.5	5	550	M63X1.5	207	382	954	1060
280S	2	65	140	18	58	500	450	18.5	5	550	M63X1.5	207	411	986	1086
280S	4-8	75	140	20	67.5	500	450	18.5	5	550	M63X1.5	207	411	990	1090
280M	2	65	140	18	58	500	450	18.5	5	550	M63X1.5	207	411	1026	1126
280M	4-8	75	140	20	67.5	500	450	18.5	5	550	M63X1.5	207	411	1030	1130
315S	2	65	140	18	58	600	550	24	6	660	M63X1.5	249	517	-	1262
315S	4-10	80	170	22	71	600	550	24	6	660	M63X1.5	249	517	-	1313
315M	2	65	140	18	58	600	550	24	6	660	M63X1.5	249	517	-	1372
315M	4-10	80	170	22	71	600	550	24	6	660	M63X1.5	249	517	-	1423
315L	2	65	140	18	58	600	550	24	6	660	M63X1.5	249	517	-	1372
315L	4-10	80	170	22	71	600	550	24	6	660	M63X1.5	249	517	-	1423
355M	2	75	140	20	67.5	740	680	24	6	800	M72X2	415	664	-	1624
355M	4-10	95	170	25	86	740	680	24	6	800	M72X2	415	664	-	1654
355L	2	75	140	20	67.5	740	680	24	6	800	M72X2	415	664	-	1624
355L	4-10	95	170	25	86	740	680	24	6	800	M72X2	415	664	-	1654
3551, 3552	2	75	140	20	67.5	740	680	24	6	800	M72X2	415	664	-	1724
3551, 3552	4-10	95	170	25	86	740	680	24	6	800	M72X2	415	664	-	1754

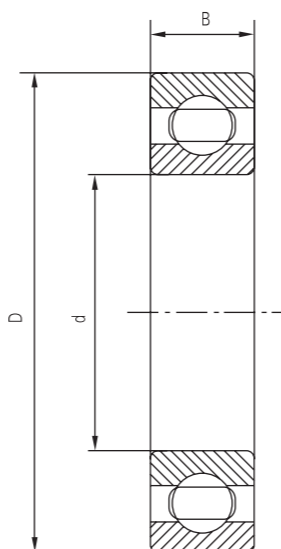
(此外形图用于 YFB2 防爆等级为 ExtDA21IP65T130°C)

轴承、密封 Bearing, Seal

轴承数据

电机型号 Motor Type	轴伸端 DE	非轴伸端 NDE	d	D	B
YFB3-80	6204ZZ	6204ZZ	20	47	14
YFB3-90	6205ZZ	6205ZZ	25	52	15
YFB3-100	6206ZZ	6206ZZ	30	62	16
YFB3-112	6306ZZ	6306ZZ	30	72	19
YFB3-132	6308ZZ	6308ZZ	40	90	23
YFB3-160	6309	6309	45	100	25
YFB3-180	6311	6311	55	120	29
YFB3-200	6312	6312	60	130	31
YFB3-225	6313	6313	65	140	33
YFB3-250	6314	6314	70	150	35
YFB3-280 2P	6314	6314	70	150	35
YFB3-280 4-8P	6317	6317	85	180	41
YFB3-315 2P	6316	6316	80	170	39
YFB3-315 4-8P	6319	6319	95	200	45
YFB3-355(2P) (B3,B35)	6319	6319	95	200	45
YFB3-355(2P)V1	6319	7319	95	200	45
YFB3-355(4-8P) (B3,B35)	6322	6322	110	240	50
YFB3-355(4-68)V1	6322	7322	110	240	50
YFB3-3551、3552(2P) (B3,B35)	6319/C3	6319/C3	95	200	45
YFB3-3551、3552(4-8P) (B3,B35)	6324	6324	120	260	55
YFB3-3551、3552(2P) V1	6319C3	7319	95	200	45
YFB3-3551、3552(4-8P) V1	6324	7324	110	260	55

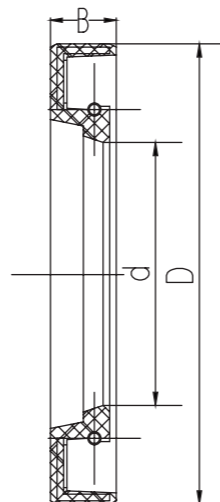
轴承数据
bearing data



骨架油封圈数据

电机型号 Motor Type	驱动端 (D.E.)			非驱动端 (N.D.E.)		
	d	D	B	d	D	B
YFB3-80	20	35	5	20	35	5
YFB3-90	25	40	5	25	40	5
YFB3-100	30	52	7	30	52	7
YFB3-112	30	52	7	30	52	7
YFB3-132	40	62	5	40	62	5
YFB3-160	45	65	8	45	65	8
YFB3-180	55	75	8	55	75	8
YFB3-200	60	80	8	60	80	8
YFB3-225	65	90	10	65	90	10
YFB3-250	70	95	10	70	95	10
YFB3-280-2	70	95	10	70	95	10
YFB3-280-4.6.8	85	110	12	85	110	12
YFB3-315-2	80	100	10	80	100	10
YFB3-315-4.6.8	95	120	12	95	120	12
YFB3-355-2	95	120	12	95	120	12
YFB3-355-4.6.8	110	140	12	110	140	12
YFB3-35512(2P)	95	120	12	95	120	12
YFB3-35512(4-8P)	120	150	12	120	150	12

油封数据
oil seal data



安装型式 Mounting Arrangements

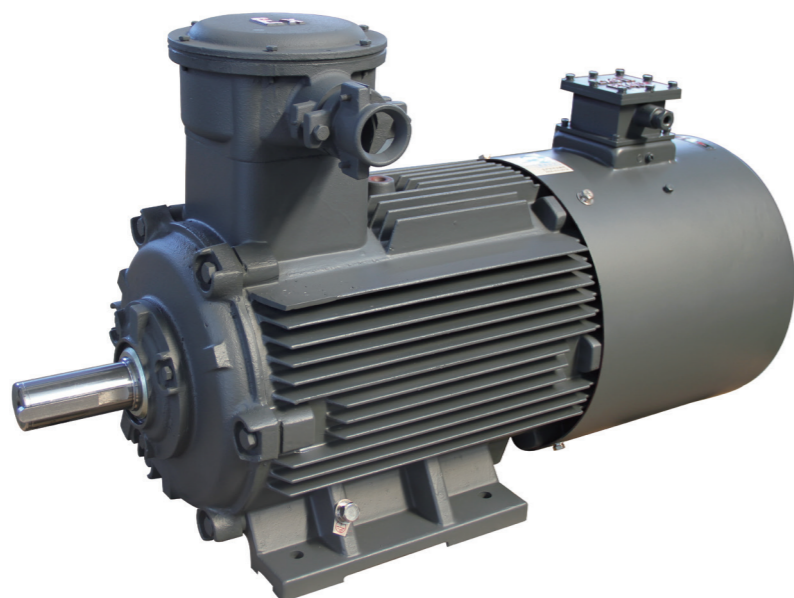
卧式底脚安装 Foot mig horiz	凸缘安装 Flange mig	底脚凸缘安装 Foot/Flange mig	立式底脚安装 Foot mig vert
B3 IM1001 H80 ~ 355	B5 IM3001 H80 ~ 280	B35 IM2001 H80 ~ 355	
B6 IM1051 H80 ~ 160	V1 IM3011 H80 ~ 355	V15 IM2011 H80 ~ 160	V5 IM1011 H80 ~ 160
B7 IM1061 H80 ~ 160	V3 IM3031 H80 ~ 160	V36 IM2031 H80 ~ 160	V6 IM1031 H80 ~ 160
B8 IM1071 H80 ~ 160			

接线指示图 鼠笼式三相电动机 Connection Diagrams Three phase motors with cage rotor

Y接 Star Connection	△接Y Delta Connection	-△启动连接 Star-Delta Connection

YBBP 系列隔爆型变频调速三相异步电动机

YBBP Series Flameproof Variable-Frequency Adjustable-Speed Three-Phase Asynchronous Motors



产品概述 Product Introduction

YBBP 系列隔爆型变频调速三相异步电动机按照 GB3836.2 的规定制成隔爆型，其防爆标志为 Exd II BT4Gb。适用于 II 类 A、B 级 T1 ~ T4 组可燃性气体或蒸汽与空气形成的爆炸性混合物的场所内的设备上，作为一般动力设备使用。与变频器装置组成机电一体化系统，该系统可在较宽范围内恒转矩运行及恒功率运行，是专门用变频器电源供电的交流调速防爆电动机。

执行标准为 JB/T11201.1-2011

YBBP series flameproof frequency control of motor speed three phase asynchronous motor made in accordance with the provisions of GB3836.2 flameproof, the explosion-proof marks for Exd II BT4Gb. It is suitable for use as general power equipment on the equipment in the places where the inflammable gas or explosive mixture formed by steam and air in class A and class B group T1 ~ T4. The system can run with constant torque and constant power in a wide range. It is an ac speed-regulating explosion-proof motor powered by inverter.

Executive standard is JB/T11201.1-2011

详细说明 Specification

◆现场条件

YBBP 系列电动机标准工作条件为海拔不超过 1000m，环境温度最低为 -15℃，环境温度最高为 40℃。

◆温升和绝缘

电动机按 F 级绝缘设计（155℃），按 B 级绝缘考核（80K），电动机的使用寿命和可靠性得到保证。

◆冷却和通风

标准冷却方式为 IC416。标准电机装有强制冷却风机。

◆防护等级

电动机的防护等级为 IP55，可用于含尘或潮湿环境。

◆电压、频率

机座号 80-100 电压为 380V

机座号 112-355 电压为 380V、660V、380/660V

◆额定频率为 50HZ

在供电电压偏离额定电压 ±5% 的情况下，仍能良好运行。

◆接线盒位置

接线盒在机座上方可以四个方向进线，进线分为橡胶套电缆和钢管布线两种。

◆质量保证

从产品设计到产品出厂，遵循 ISO9001 质量认证体系，严格遵守质量程序。

◆ Site conditions

The standard working conditions of YBBP series motors are as follows: The altitude is not more than 1000 meters, the lowest ambient temperature is -15 °C, and the highest ambient temperature is 40°C.

◆ Temperature rise and insulation

F class (155 °C) insulation system and temperature rise class B (80K) are adopted to the motor. The service life and reliability of the motor are guaranteed.

◆ Cooling and ventilation

Standard cooling mode is IC416 standard motor equipped with forced cooling fan.

◆ Protection class

The standard protection class of motor is IP55, can be used in dusty or humid environment.

◆ Voltage、frequency

Frame size 80-100, the voltage is 380V

Frame size 112-355, the voltage is 380V 660V 380/660v

◆ Rated frequency

Under the condition that the supply voltage deviates from the rated voltage by 5%, it can still run well.

◆ Terminal box position

Terminal box in the upper part of the frame can be four directions into the line, the line is divided into rubber cable and steel pipe wiring two kinds.

◆ Quality guarantee

From the product design to the delivery of products, follow the ISO9001 quality certification system, strict compliance with quality procedures.

技术数据 Technical Data

2极 – 同步转速 3000r/min 50HZ, 变频范围 5-50HZ
2pole-3000rpm synchronous speed 50HZ

型号 Motor Type	额定功率 Rated Output KW	额定转速 Rated Speed rpm	额定电流 IFL 380V A	效率 EFF %	功率因数 Power Factor cosφ	额定转矩 Rated Torque N.m	堵转转矩		堵转电流		重量 Net Weight kg
							额定转矩 TST/TFL	最大转矩 TM/TFL	额定电流 IST/IFL	堵转电流 IST/IFL	
YBBP-80M1-2	0.75	2855	1.8	77.4%	0.82	2.5	2.3	2.3	6.8	33	
YBBP-80M2-2	1.1	2855	2.5	79.6%	0.83	3.7	2.3	2.3	7.1	34	
YBBP-90S-2	1.5	2875	3.3	81.3%	0.84	5.0	2.3	2.3	7.3	35	
YBBP-90L-2	2.2	2875	4.7	83.2%	0.85	7.3	2.3	2.3	7.6	44	
YBBP-100L-2	3	2880	6.2	84.6%	0.87	9.9	2.2	2.3	7.8	55	
YBBP-112M-2	4	2900	8.0	85.8%	0.88	13.2	2.2	2.3	8.1	64	
YBBP-132S1-2	5.5	2900	10.9	87.0%	0.88	18.1	2.2	2.3	8.2	95	
YBBP-132S2-2	7.5	2900	14.5	88.1%	0.89	24.7	2.2	2.3	7.8	101	
YBBP-160M1-2	11	2940	21.0	89.4%	0.89	35.7	2.2	2.3	7.9	157	
YBBP-160M2-2	15	2940	28.4	90.3%	0.89	48.7	2.2	2.3	7.9	165	
YBBP-160L-2	18.5	2940	34.7	90.9%	0.89	60.1	2.2	2.3	8.0	176	
YBBP-180M-2	22	2955	41.1	91.3%	0.89	71.1	2.2	2.3	8.1	220	
YBBP-200L1-2	30	2965	55.7	92.0%	0.89	96.6	2	2.3	7.5	280	
YBBP-200L2-2	37	2965	68.3	92.5%	0.89	119.2	2	2.3	7.5	313	
YBBP-225M-2	45	2970	82.7	92.9%	0.89	144.7	2.2	2.3	7.5	360	
YBBP-250M-2	55	2975	100.7	93.2%	0.89	176.6	2.2	2.3	7.6	523	
YBBP-280S-2	75	2975	136.5	93.8%	0.89	240.8	1.8	2.3	6.9	660	
YBBP-280M-2	90	2975	163.3	94.1%	0.89	288.9	1.8	2.3	6.9	715	
YBBP-315S-2	110	2980	196.9	94.3%	0.9	352.5	1.8	2.2	7.0	1000	
YBBP-315M-2	132	2980	235.6	94.6%	0.9	423.0	1.8	2.2	7.0	1142	
YBBP-315L1-2	160	2980	281.8	94.8%	0.91	512.8	1.8	2.2	7.1	1274	
YBBP-315L2-2	200	2980	351.5	95.0%	0.91	640.9	1.8	2.2	7.1	1366	
YBBP-355M1-2	220	2980	386.7	95.0%	0.91	705.0	1.6	2.2	7.1	1640	
YBBP-355M2-2	250	2980	439.4	95.0%	0.91	801.2	1.6	2.2	7.1	1800	
YBBP-355L1-2	280	2980	492.1	95.0%	0.91	897.3	1.6	2.2	7.2	1900	
YBBP-355L2-2	315	2980	553.6	95.0%	0.91	1009.5	1.6	2.2	7.2	1960	

技术数据 Technical Data

4极 – 同步转速 1500r/min 50HZ, 变频范围 5-100HZ
4pole-1500rpm synchronous speed 50HZ

型号 Motor Type	额定功率 Rated Output KW	额定转速 Rated Speed rpm	额定电流 IFL 380V A	效率 EFF %	功率因数 Power Factor cosφ	额定转矩 Rated Torque N.m	堵转转矩		堵转电流		重量 Net Weight kg
							额定转矩 TST/TFL	最大转矩 TM/TFL	额定电流 IST/IFL	堵转电流 IST/IFL	
YBBP-80M2-4	0.75	1400	1.9	79.6%	0.76	5.1	2.3	2.3	6.4	35	
YBBP-90S-4	1.1	1425	2.7	81.4%	0.77	7.4	2.3	2.3	6.6	42	
YBBP-90L-4	1.5	1425	3.5	82.8%	0.78	10.1	2.3	2.3	6.7	41	
YBBP-100L1-4	2.2	1440	5.0	84.3%	0.8	14.6	2.3	2.3	7.3	54	
YBBP-100L2-4	3	1440	6.6	85.5%	0.81	19.9	2.3	2.3	7.5	57	
YBBP-112M-4	4	1450	8.7	86.6%	0.81	26.3	2.3	2.3	7.5	76	
YBBP-132S-4	5.5	1455	11.6	87.7%	0.82	36.1	2	2.3	7.5	100	
YBBP-132M-4	7.5	1455	15.5	88.7%	0.83	49.2	2	2.3	7.3	108	
YBBP-160M-4	11	1465	22.4	89.8%	0.83	71.7	2	2.3	7.4	160	
YBBP-160L-4	15	1465	29.9	90.6%	0.84	97.8	2	2.3	7.5	181	
YBBP-180M-4	18.5	1470	36.3	91.2%	0.85	120.2	2	2.3	7.6	219	
YBBP-180L-4	22	1475	42.9	91.6%	0.85	142.4	2.1	2.3	7.7	257	
YBBP-200L-4	30	1475	58.1	92.3%	0.85	194.2	2.1	2.3	7.1	307	
YBBP-225S-4	37	1480	70.5	92.7%	0.86	238.8	2.1	2.3	7.3	388	
YBBP-225M-4	45	1480	85.4	93.1%	0.86	290.4	2.2	2.3	7.3	400	
YBBP-250M-4	55	1480	103.9	93.5%	0.86	354.9	2.2	2.3	7.3	520	
YBBP-280S-4	75	1485	139.3	94.0%	0.87	482.3	2.2	2.3	6.8	677	
YBBP-280M-4	90	1485	165.0	94.2%	0.88	578.8	2.2	2.3	6.9	722	
YBBP-315S-4	110	1485	198.7	94.5%	0.89	707.4	2.1	2.2	6.9	960	
YBBP-315M-4	132	1485	238.0	94.7%	0.89	848.9	2.1	2.2	6.9	1090	
YBBP-315L1-4	160	1485	284.6	94.9%	0.9	1029.0	2.1	2.2	6.9	1170	
YBBP-315L2-4	200	1485	355.0	95.1%	0.9	1286.2	2.1	2.2	6.9	1414	
YBBP-355M1-4	220	1490	390.5	95.1%	0.9	1410.1	2.0	2.2	6.9	1664	
YBBP-355M2-4	250	1490	443.8	95.1%	0.9	1602.3	2.0	2.2	6.9	1780	
YBBP-355L1-4	280	1490	497.1	95.1%	0.9	1794.6	2.0	2.2	6.9	1940	
YBBP-355L2-4	315	1490	559.2	95.1%	0.9	2019.0	2.0	2.2	6.9	2040	

技术数据 Technical Data

6极 – 同步转速 1000r/min 50HZ, 变频范围 5-100HZ
6pole-1000rpm synchronous speed 50HZ

型号 Motor Type	额定功率 Rated Output KW	额定转速 Rated Speed rpm	额定电流 IFL 380V A	效率 EFF %	功率因数 Power Factor cosφ	额定转矩 Rated Torque N.m	堵转转矩 TST/TFL	最大转矩 TM/TFL	堵转电流 IST/IFL	重量 Net Weight kg
YBBP-90S-6	0.75	935	2.1	75.9%	0.71	7.7	2.0	2.1	5.8	39
YBBP-90L-6	1.1	940	3.0	78.1%	0.72	11.2	2.0	2.1	5.9	47
YBBP-100L-6	1.5	945	4.0	79.8%	0.72	15.2	2.0	2.1	5.9	52
YBBP-112M-6	2.2	950	5.7	81.8%	0.72	22.1	2.0	2.1	6.2	70
YBBP-132S-6	3	960	7.6	83.3%	0.72	29.8	2.0	2.1	6.4	91
YBBP-132M1-6	4	960	9.7	84.6%	0.74	39.8	2.0	2.1	6.6	101
YBBP-132M2-6	5.5	960	13.0	86.0%	0.75	54.7	2.0	2.1	6.8	113
YBBP-160M-6	7.5	970	16.8	87.2%	0.78	73.8	2.0	2.1	6.8	161
YBBP-160L-6	11	970	23.9	88.7%	0.79	108.3	2.0	2.1	6.9	183
YBBP-180L-6	15	975	31.0	89.7%	0.82	146.9	2.0	2.1	7.3	220
YBBP-200L1-6	18.5	975	38.9	90.4%	0.8	181.2	2.0	2.1	7.2	272
YBBP-200L2-6	22	975	45.4	90.9%	0.81	215.5	2.0	2.1	7.3	298
YBBP-225M-6	30	985	60.6	91.7%	0.82	290.9	2.0	2.1	6.8	380
YBBP-250M-6	37	985	73.5	92.2%	0.83	358.7	2.0	2.1	7	475
YBBP-280S-6	45	985	86.8	92.7%	0.85	436.3	2.0	2.0	7.2	650
YBBP-280M-6	55	985	104.4	93.1%	0.86	533.2	2.0	2.0	7.2	680
YBBP-315S-6	75	990	144.8	93.7%	0.84	723.5	2.0	2.0	6.5	954
YBBP-315M-6	90	990	171.1	94.0%	0.85	868.2	2.0	2.0	6.6	1134
YBBP-315L1-6	110	990	208.5	94.3%	0.85	1061.1	2.0	2.0	6.6	1194
YBBP-315L2-6	132	990	246.5	94.6%	0.86	1273.3	2.0	2.0	6.6	1294
YBBP-355S-6	160	990	298.2	94.8%	0.86	1543.4	2.0	2.2	6.7	1680
YBBP-355M1-6	185	990	344.8	94.8%	0.86	1784.6	2.0	2.2	6.8	1765
YBBP-355M2-6	200	990	371.9	95.0%	0.86	1929.3	2.0	2.2	6.8	1860
YBBP-355L1-6	220	990	409.1	95.0%	0.86	2122.2	2.0	2.2	6.8	1989
YBBP-355L2-6	250	990	464.9	95.0%	0.86	2411.6	2.0	2.2	6.8	2053

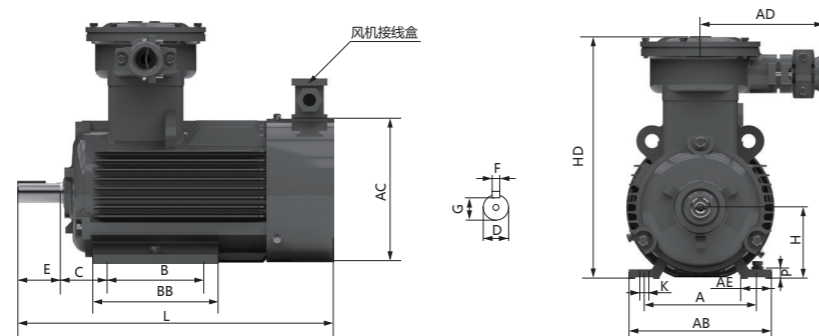
技术数据 Technical Data

8极 – 同步转速 750r/min 50HZ, 变频范围 5-100HZ
8pole-750rpm synchronous speed 50HZ

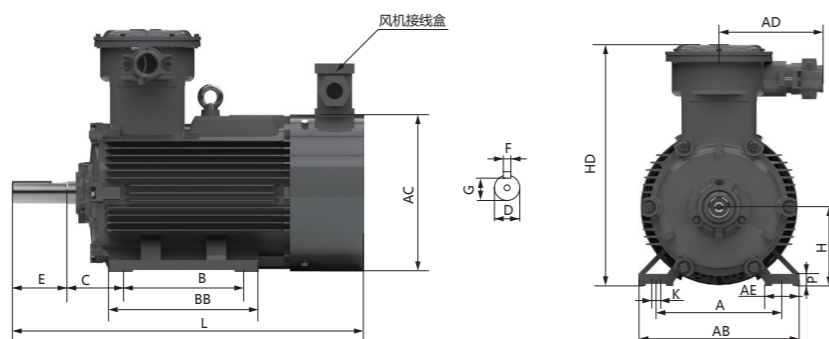
型号 Motor Type	额定功率 Rated Output KW	额定转速 Rated Speed rpm	额定电流 IFL 380V A	效率 EFF %	功率因数 Power Factor cosφ	额定转矩 Rated Torque N.m	堵转转矩 TST/TFL	最大转矩 TM/TFL	堵转电流 IST/IFL	重量 Net Weight kg
YBBP-100L1-8	0.75	690	2.6	66.2%	0.67	10.4	2	2.2	3.5	58
YBBP-100L2-8	1.1	690	3.4	70.8%	0.69	15.2	2.2	2.4	3.6	63
YBBP-112M-8	1.5	690	4.4	74.1%	0.70	20.8	2.4	2.6	3.9	75
YBBP-132S-8	2.2	710	6.1	77.6%	0.71	29.6	2.3	2.5	4.3	95
YBBP-132M-8	3	710	7.8	80.0%	0.73	40.4	2.2	2.4	4.4	102
YBBP-160M1-8	4	720	10.2	81.9%	0.73	53.1	2.2	2.5	4.4	146
YBBP-160M2-8	5.5	720	13.5	83.8%	0.74	73.0	2.2	2.4	5.0	156
YBBP-160L-8	7.5	720	17.8	85.3%	0.75	99.5	2.1	2.3	5.7	182
YBBP-180L-8	11	730	25.6	86.9%	0.75	143.9	2.3	2.5	5.6	240
YBBP-200L-8	15	730	34.1	88.0%	0.76	196.2	2.1	2.4	5.5	302
YBBP-225S-8	18.5	730	41.7	88.6%	0.76	242.0	2.2	2.6	5.6	342
YBBP-225M-8	22	740	48.1	89.1%	0.78	283.9	2.1	2.4	5.4	362
YBBP-250M-8	30	740	64.3	89.8%	0.79	387.2	2.2	2.5	5.3	502
YBBP-280S-8	37	740	78.8	90.3%	0.79	477.5	2.3	2.7	5.6	614
YBBP-280M-8	45	740	95.4	90.7%	0.79	580.7	2.1	2.8	5.2	640
YBBP-315S-8	55	740	113.4	91.0%	0.81	709.8	1.9	2.5	5.7	1004
YBBP-315M-8	75	740	153.6	91.6%	0.81	967.9	2.1	2.8	5.9	1169
YBBP-315L1-8	90	740	181.5	91.9%	0.82	1161.5	2.3	2.9	6.2	1354
YBBP-315L2-8	110	740	220.8	92.3%	0.82	1419.6	2.2	2.8	6.0	1394
YBBP-355S-8	132	740	264.1	92.6%	0.82	1704	1.6	2.0	5.2	1680
YBBP-355M-8	160	740	318.8	93.0%	0.82	2066	1.6	2.0	5.2	1860
YBBP-355L1-8	185	740	366.6	93.5%	0.82	2388	1.6	2.0	5.2	1970
YBBP-355L2-8	200	740	396.4	93.5%	0.82	2582	1.6	2.0	5.2	2060

◆ B3 外形及安装尺寸 Dimensions Foot Mount B3

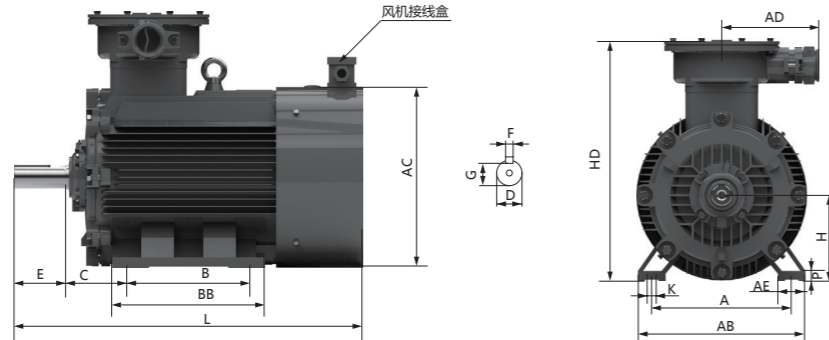
YBBP-80~132



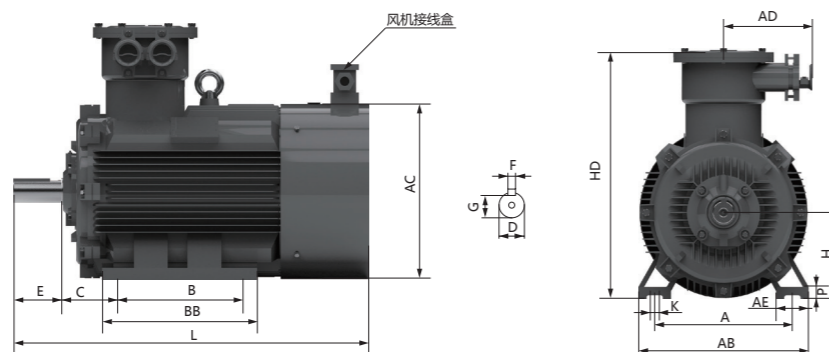
YBBP-160~200



YBBP-225~280



YBBP-315~355



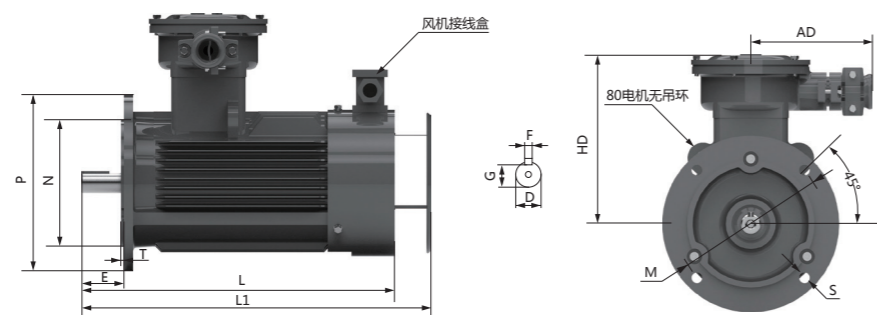
◆ B3 外形及安装尺寸 Dimensions Foot Mount B3

机座号 FRAME SIZE	极数 POLES	A	B	C	D	E	F	G	H	K	P	AB	BB	AC	AD	AE	HD	L
80M	2-8	125	100	50	19	40	6	15.5	80	10	10	160	130	167	178	34	305	520
90S	2-8	140	100	56	24	50	8	20	90	10	14	176	130	184	178	36	330	552
90L	2-8	140	125	56	24	50	8	20	90	10	14	176	155	184	178	36	330	577
100L	2-8	160	140	63	28	60	8	24	100	12	14	200	176	207	178	43	360	643
112M	2-8	190	140	70	28	60	8	24	112	12	16	240	180	221	193	50	390	675
132S	2-8	216	140	89	38	80	10	33	132	12	18	276	190	260	193	60	440	660
132M	2-8	216	178	89	38	80	10	33	132	12	18	276	230	260	193	60	440	700
160M	2-8	254	210	108	42	110	12	37	160	14.5	25	324	258	315	210	70	510	810
160L	2-8	254	254	108	42	110	12	37	160	14.5	25	324	302	315	210	70	510	840
180M	2-8	279	241	121	48	110	14	42.5	180	15	22	349	311	356	210	70	550	950
180L	2-8	279	279	121	48	110	14	42.5	180	15	22	349	349	356	210	70	550	970
200L	2-8	318	305	133	55	110	16	49	200	19	25	388	366	398	240	70	600	1010
225S	4, 8	356	286	149	60	140	18	53	225	18.5	28	431	355	446	240	75	640	1060
225M	2	356	311	149	55	110	16	49	225	18.5	28	431	380	446	240	75	640	1060
225M	4-8	356	311	149	60	140	18	53	225	18.5	28	431	380	446	240	75	640	1090
250M	2	406	349	168	60	140	18	53	250	24	30	486	420	495	279	80	720	1150
250M	4-8	406	349	168	65	140	18	58	250	24	30	486	420	495	279	80	720	1150
280S	2	457	368	190	65	140	18	58	280	24	35	542	438	547	279	85	780	1290
280S	4-8	457	368	190	75	140	20	67.5	280	24	35	542	438	547	279	85	780	1290
280M	2	457	419	190	65	140	18	58	280	24	35	542	489	547	279	85	780	1350
280M	4-8	457	419	190	75	140	20	67.5	280	24	35	542	489	547	279	85	780	1350
315S	2	508	406	216	65	140	18	58	315	28	45	628	550	620	330	120	930	1410
315S	4-10	508	406	216	80	170	22	71	315	28	45	628	550	620	330	120	930	1440
315M	2	508	457	216	65	140	18	58	315	28	45	628	680	620	330	120	930	1530
315M	4-10	508	457	216	80	170	22	71	315	28	45	628	680	620	330	120	930	1560
315L	2	508	508	216	65	140	18	58	315	28	45	628	680	620	330	120	930	1530
315L	4-10	508	508	216	80	170	22	71	315	28	45	628	680	620	330	120	930	1560
355S	2	610	500	254	75	140	20	67.5	355	28	52	726	636	700	330	116	1070	1700
355S	4-10	610	500	254	95	170	25	86	355	28	52	726	636	700	330	116	1070	1730
355M	2	610	560	254	75	140	20	67.5	355	28	52	726	696	700	330	116	1070	1780
355M	4-10	610	560	254	95	170	25	86	355	28	52	726	696	700	330	116	1070	1810
355L	2	610	630	254	75	140	20	67.5	355	28	52	726	766	700	330	116	1070	1890
355L	4-10	610	630	254	95	170	25	86	355	28	52	726	766	700	330	116	1070	1920

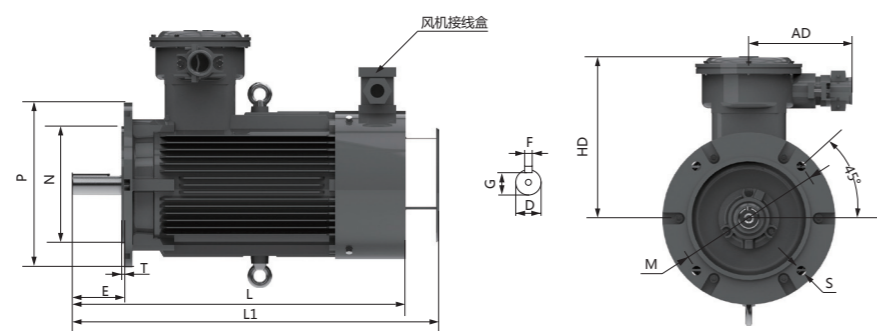
(此外形图用于 YBBP 防爆等级为 Exd II BT4Gb)

◆ B5&V1 外形及安装尺寸 Dimensions Flange Mount B5&V1

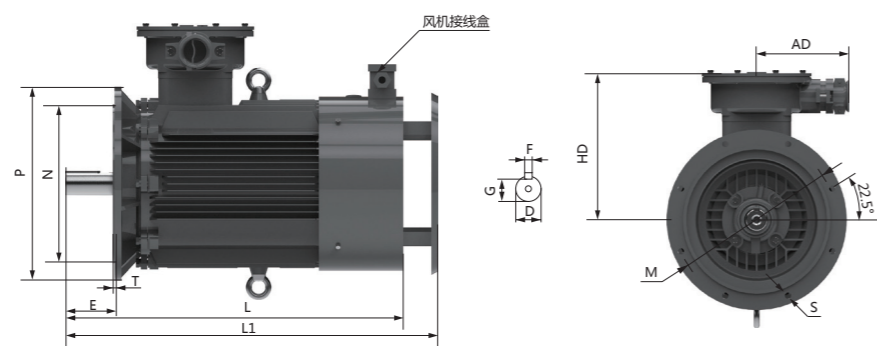
YBBP-80~132



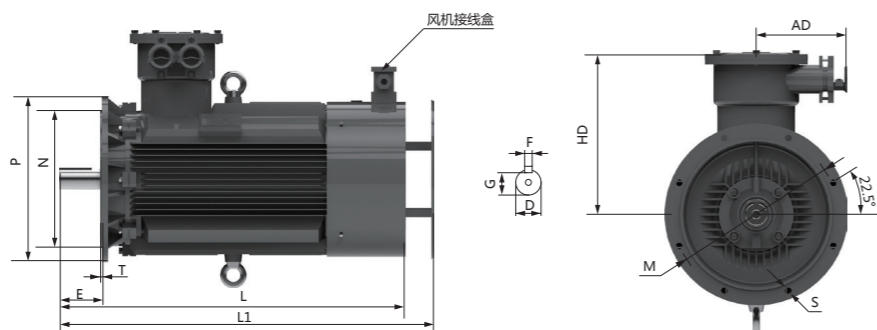
YBBP-160~200



YBBP-225~280



YBBP-315~355



◆ B5&V1 外形及安装尺寸 Dimensions Flange Mount B5&V1

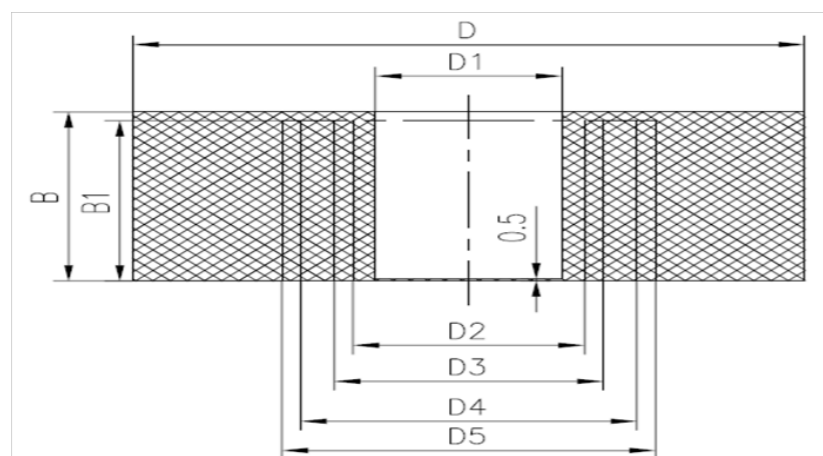
机座号 FRAME SIZE	极数 POLES	D	E	F	G	M	N	S	T	P	AD	HD	L(B5)	L1(V1)
80M	2-8	19	40	6	15.5	165	130	12	3.5	200	178	225	520	620
90S	2-8	24	50	8	20	165	130	12	3.5	200	178	240	552	652
90L	2-8	24	50	8	20	165	130	12	3.5	200	178	240	577	677
100L	2-8	28	60	8	24	215	180	15	4	250	178	260	643	743
112M	2-8	28	60	8	24	215	180	15	4	250	193	278	675	775
132S	2-8	38	80	10	33	265	230	15	4	300	193	308	660	760
132M	2-8	38	80	10	33	265	230	15	4	300	193	308	700	800
160M	2-8	42	110	12	37	300	250	19	5	350	210	350	810	910
160L	2-8	42	110	12	37	300	250	19	5	350	210	350	840	940
180M	2-8	48	110	14	42.5	300	250	19	5	350	210	370	950	1050
180L	2-8	48	110	14	42.5	300	250	19	5	350	210	370	970	1070
200L	2-8	55	110	16	49	350	300	19	5	400	240	400	1010	1110
225S	4、8	60	140	18	53	400	350	19	5	450	240	415	1060	1160
225M	2	55	110	16	49	400	350	19	5	450	240	415	1060	1160
225M	4-8	60	140	18	53	400	350	19	5	450	240	415	1090	1190
250M	2	60	140	18	53	500	450	19	5	550	279	470	1150	1250
250M	4-8	65	140	18	58	500	450	19	5	550	279	470	1150	1250
280S	2	65	140	18	58	500	450	19	5	550	279	500	1290	1390
280S	4-8	75	140	20	67.5	500	450	19	5	550	279	500	1290	1390
280M	2	65	140	18	58	500	450	19	5	550	279	500	1350	1450
280M	4-8	75	140	20	67.5	500	450	19	5	550	279	500	1350	1450
315S	2	65	140	18	58	600	550	24	6	660	330	615	-	1510
315S	4-10	80	170	22	71	600	550	24	6	660	330	615	-	1540
315M	2	65	140	18	58	600	550	24	6	660	330	615	-	1630
315M	4-10	80	170	22	71	600	550	24	6	660	330	615	-	1660
315L	2	65	140	18	58	600	550	24	6	660	330	615	-	1630
315L	4-10	80	170	22	71	600	550	24	6	660	330	615	-	1660
355S	2	75	140	20	67.5	740	680	24	6	800	330	715	-	1800
355S	4-10	95	170	25	86	740	680	24	6	800	330	715	-	1830
355M	2	75	140	20	67.5	740	680	24	6	800	330	715	-	1880
355M	4-10	95	170	25	86	740	680	24	6	800	330	715	-	1910
355L	2	75	140	20	67.5	740	680	24	6	800	330	715	-	1990
355L	4-10	95	170	25	86	740	680	24	6	800	330	715	-	2020

(此外形图用于 YBBP 防爆等级为 Exd II BT4Gb)

钢管布线的尺寸 (适用于隔爆型电动机 YB3、YBX3、YBBP)

机座号	钢管布线尺寸
80-132	M30X2
160-180	M36X2
200-225	M48X2
250-280	M64X2
315-355	2XM64X2

密封圈尺寸 (适用于隔爆型电动机 YB3、YBX3、YBBP、YBK3)



机座号	尺寸							
	D1	D2	D3	D4	D5	D	B1	B
80-132	φ14	φ20	φ25			φ42	24	26
160-180	φ14	φ20	φ26	φ31	φ35	φ58	24	26
200-225	φ20	φ26	φ32	φ38	φ42	φ72	30	32
250-355	φ25	φ31	φ36	φ45	φ50	φ90	36	38

说明：机座号为 315、355 电机有两个出线口

YBBP 轴承型号

机座号	极数	轴伸端	非轴伸端
80	全部	6204-2Z	6204-2Z
90	全部	6205-2Z	6205-2Z
100	全部	6206-2Z	6206-2Z
112	全部	6206-2Z	6206-2Z
132	全部	6208-2Z	6208-2Z
160	2P	6209-2Z	6209-2Z
160	4 ~ 8P	6309-2Z	6209-2Z
180	2P	6211	6211
180	4 ~ 8P	6311	6211
200	2P	6212	6212
200	4 ~ 8P	6312	6212
225	2P	6312	6312
225	4 ~ 8P	6313	6312
250	2P	6313	6313
250	4 ~ 8P	6314	6313
280	2P	6314	6314
280	4 ~ 8P	6317	6314
315	2P	6316	6316
315	4 ~ 10P	6319	6319
355	2P	6319	6319
355	4 ~ 10P	6322	6322

电气设备分类 Electrical equipment classification

1. I类 煤矿井下电气设备。I类爆炸性气体环境主要为甲烷。

我公司生产的I类防爆电机防爆标志为 Exd I Mb。

1. Class I Electrical equipment in coal mine. Explosive gas environment of class I is mainly alkane.

The explosion-proof mark of class I explosion-proof motor produced by our company is Exd I Mb.



2. II类 除煤矿外的其他爆炸性气体环境用电气设备。II类爆炸性气体的特性进一步分类为II A、II B、II C。II类常见可燃性气体、蒸气、温度组别举例见表1，不同温度组别对应最高表面温度见表2。我公司生产的II类防爆电机防爆标志为 Exd II BT4Gb 和 Exd II CT4Gb。

2. Class II Electrical equipment for explosive gas environment except coal mine. The characteristics of explosive gases of class II are further classified as II A, II B, II C. Examples of common combustible gases, vapors and temperature groups of class II are shown in the table.1. The highest surface temperature corresponding to different temperature groups is shown in the table. 2.The explosion-proof mark of class II explosion-proof motor produced by our company is Exd II BT4Gb and Exd II CT4Gb.



电气设备分类 Electrical equipment classification

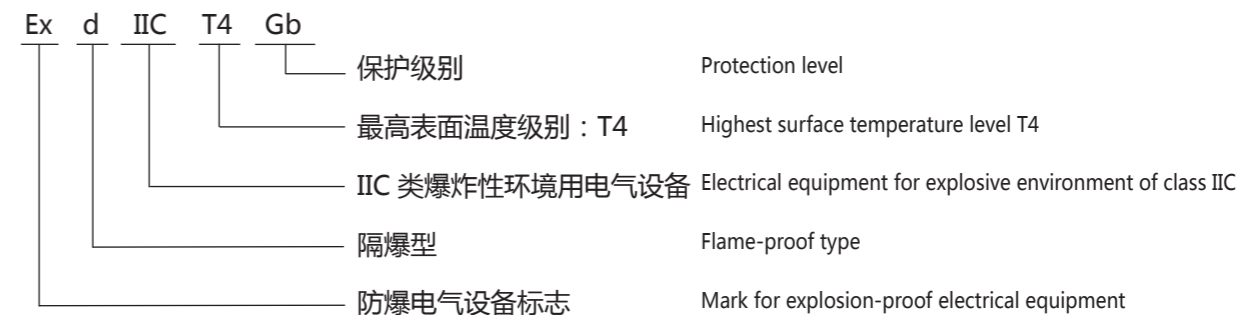


表1

级别	温度组别			
	T1	T2	T3	T4
IIA	甲烷 CH ₄ 、 乙烷 C ₂ H ₆ 、 丙烷 C ₃ H ₈ 、 苯乙烯 C ₆ H ₅ CH=CH ₂ 、 甲苯 C ₆ H ₅ CH ₃ 、 二甲苯 C ₆ H ₄ (CH ₃) ₂ 、 一氧化碳 CO、 醋酸 CH ₃ COOH	丁烷 C ₄ H ₁₀ 、 丙烷 C ₃ H ₈ 、 乙苯 C ₆ H ₅ C ₂ H ₅ 、 甲醇 CH ₃ OH、 乙醇 C ₂ H ₅ OH、 丙醇 C ₃ H ₇ OH、 丁醇 C ₄ H ₉ OH	戊烷 C ₅ H ₁₂ 、 己烷 C ₆ H ₁₄ 、 庚烷 C ₇ H ₁₆ 、 辛烷 C ₈ H ₁₈ 、 癸烷 C ₁₀ H ₂₂ 、 环己烷 CH ₂ (CH ₂) ₄ CH ₂ 、 煤油 Petroleum、 柴油 Diesel oil、 汽油 Gasoline	乙醛 CH ₃ CHO
IIB	丙炔 C ₃ H ₄ 、 环丙烷 C ₃ H ₆ 、 焦炉煤气 Coke gas	乙烯 C ₂ H ₄ 、 1,3-丁二烯 CH ₂ =CH-CH=CH ₂ 、 环氧乙烷 CH ₂ CH ₂ O、 1,2-环氧丙烷 CH ₃ CHCH ₂ O	二甲醚 (CH ₃) ₂ O、 丙烯醛 CH ₂ =CHCHO、 四氢呋喃 CH ₂ (CH ₂) ₂ CH ₂ O、 硫化氢 H ₂ S	乙基甲基醚 CH ₃ OC ₂ H ₅ 、 二乙醚 (C ₂ H ₅) ₂ O、 四氟乙烯 C ₂ F ₄
IIC	氢气 H ₂	乙炔 C ₂ H ₂		

Table 1

CLASS	Temperature Groups			
	T1	T2	T3	T4
IIA	Methane CH ₄ 、 Ethane C ₂ H ₆ 、 Propane C ₃ H ₈ 、 Styrene C ₆ H ₅ CH=CH ₂ 、 Toluene C ₆ H ₅ CH ₃ 、 Xylene C ₆ H ₄ (CH ₃) ₂ 、 Carbon monoxide CO、 Acetate CH ₃ COOH	Butane C ₄ H ₁₀ 、 Propane C ₃ H ₈ 、 Ethylbenzene C ₆ H ₅ C ₂ H ₅ 、 Methanol CH ₃ OH、 Ethanol C ₂ H ₅ OH、 Propanol C ₃ H ₇ OH、 Butanol C ₄ H ₉ OH	Dioxane C ₅ H ₁₂ 、 Hexane C ₆ H ₁₄ 、 Heptane C ₇ H ₁₆ 、 Octane C ₈ H ₁₈ 、 Decane C ₁₀ H ₂₂ 、 Cyclodecane CH ₂ (CH ₂) ₄ CH ₂ 、 Kerosene Petroleum、 Diesel oil、 Gasoline Gasoline	Acetaldehyde CH ₃ CHO
IIB	Propyne C ₃ H ₄ 、 Cyclopropane C ₃ H ₆ 、 Coke gas	Ethylene C ₂ H ₄ 、 1,3-butadiene CH ₂ =CH-CH=CH ₂ 、 Ethylene oxide CH ₂ CH ₂ O、 1,2-propylene oxide CH ₃ CHCH ₂ O	Dimethyl ether (CH ₃) ₂ O、 Acrolein CH ₂ =CHCHO、 Tetrahydrofuran CH ₂ (CH ₂) ₂ CH ₂ O、 Hydrogen sulfide H ₂ S	Ethyl methyl ether CH ₃ OC ₂ H ₅ 、 Diethyl ether (C ₂ H ₅) ₂ O、 Tetrafluoroethylene C ₂ F ₄
IIC	Hydrogen H ₂	Acetylene C ₂ H ₂		

电气设备分类 Electrical equipment classification

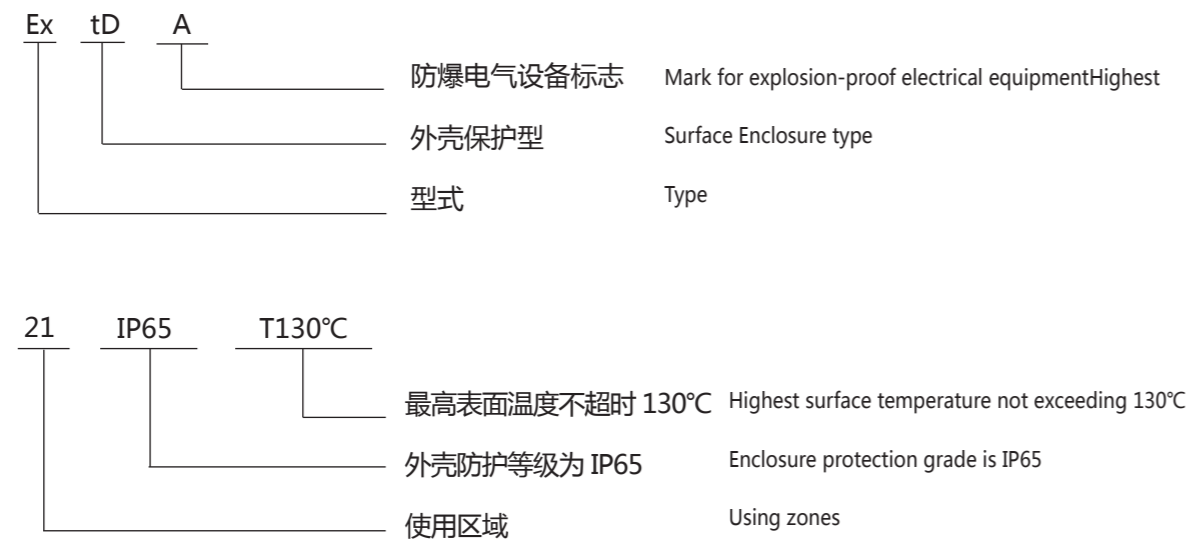
表2 Table 2

温度组别 Temperature Groups	T1	T2	T3	T4	T5	T6
最高表面温度 /°C The Highest Surface Temperature	450	300	200	135	100	85

3. 可燃性粉尘环境用电气设备主要用于存在有可燃性粉尘的场所和环境。我公司生产的粉尘防爆电机防爆标志为:Ex tD A21 IP65 T130°C, 适用于工厂 21 区或 22 区具有温度组别为 T1-T4 组的可燃性粉尘环境。

3. Electrical equipment for combustibile dust environment is mainly used in places and environments where combustibile dust exists. The explosion-proof mark of dust explosion-proof motor produced by our company is:

Ex tD A21 IP65 T130°C, It is suitable for the combustibile dust environment with temperature group t1-t4 in zone 21 or 22 of the factory.



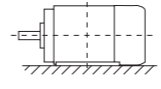
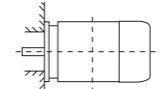
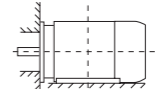

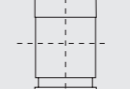
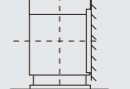
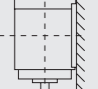
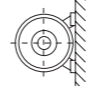
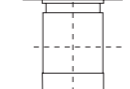
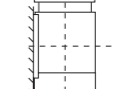
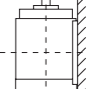
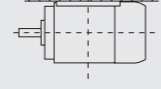
证书 Certificate



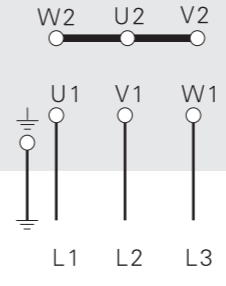
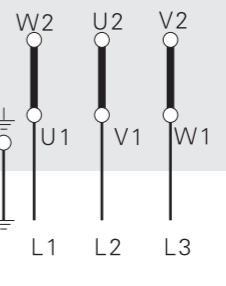
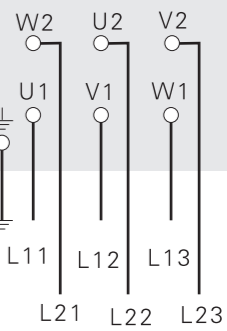
防护等级 Degrees of Protection(IEC 60034-5)

符号 Designation	第一位数字 First numeral	第二位数字 Second numeral
	防止固体异物进入内部及防止人体触及内部的带电或运动部分。 Protection against contact and ingree of foreign bodies, p rotection against hazardous" live" parts and moving mechanical parts.	防护水 Protection against water
	5.虽不能完全防止灰尘进入，但进尘量不足以影响电机正常运行。能防止触及或接近壳内带电或转动部分。 Ingree of dust is not totally prevented, but dust shall not interfere with the satisfactory operation of equipment. A probe of 1mm diameter shall not penetrate the enclosure.	5.任何方向的喷水对电机应无有害的影响。 Water projected in jets against the enclosure from any direction will have no harmful effects.
	6.完全防止灰尘进入机壳。 No ingress of dust.	6.强力喷水时电机应无有害影响。 Water projected in p ower jets shall h ave no harmful effects.
IP55	防尘 Dust protected	防喷水 Jetting water
IP56	防尘 Dust protected	防强力喷水 Powerful Jetting
IP65	尘密 Dust tight	防喷水 Jetting water
IP66	尘密 Dust tight	防强力喷水 Powerful Jetting

安装型式 Mounting Arrangements

卧式底脚安装 Foot mig horiz	凸缘安装 Flange mig	底脚凸缘安装 Foot/Flange mig	立式底脚安装 Foot mig vert
B3 IM1001 H80 ~ 355 	B5 IM3001 H80 ~ 280 	B35 IM2001 H80 ~ 355 	
B6 IM1051 H80 ~ 160 	V1 IM3011 H80 ~ 355 	V15 IM2011 H80 ~ 160 	V5 IM1011 H80 ~ 160 
B7 IM1061 H80 ~ 160 	V3 IM3031 H80 ~ 160 	V36 IM2031 H80 ~ 160 	V6 IM1031 H80 ~ 160 
B8 IM1071 H80 ~ 160 			

接线指示图 鼠笼式三相电动机 Connection Diagrams Three phase motors with cage rotor

Y接 Star Connection	△接Y Delta Connection	-△启动连接 Star-Delta Connection
		

◆ 主要产品介绍 Main Product Introduction

YE2 系列三相异步电动机 (H80-355)
 YE3 系列三相异步电动机 (H80-355)
 YE4 系列三相异步电动机 (H80-355)
 YE2、YE3 系列高温消防排烟风机专用电机 (H80-355)
 Y-H 系列船用三相异步电动机 (H63-355)
 YD 系列变极多速三相异步电动机 (H80-315)
 YDT 系列通风机用多速三相异步电动机 (H80-315)
 YVF2 系列变频调速三相异步电动机 (H80-355)
 YH 系列高转差率三相异步电动机 (H80-315)
 Y-W 系列户外型三相异步电动机 (H80-355)
 YT 系列轴流式通风机用三相异步电动机 (H80-132)
 1L(IP23) 系列三相异步电动机 (H160-355)
 Y(IP23) 系列三相异步电动机 (H400-500)
 YZS 系列起重用三相异步电动机 (H160-225)
 YEJ 系列电磁制动三相异步电动机 (H80-225)
 YB3 系列隔爆型三相异步电动机 (H80-355)
 YBK3 系列煤矿井下用隔爆型三相异步电动机 (H80-355)
 YB3-H 系列船用隔爆型三相异步电动机 (H80-355)
 YBBP 系列隔爆型变频调速三相异步电动机 (H80-355)
 YBX3 系列高效率隔爆型三相异步电动机 (H80-355)
 YFB2 系列粉尘防爆型三相异步电动机 (H80-355)
 YFB3 系列粉尘防爆型高效率三相异步电动机
 YB3 系列高压隔爆型三相异步电动机 (6KV, H400-500)
 YB3 系列高压隔爆型三相异步电动机 (10KV, H400-500)
 YBBP 系列高压隔爆型变频调速三相异步电动机 (6KV, H400-450)
 YBBP 系列高压隔爆型变频调速三相异步电动机 (10KV, H400-450)
 Y3 系列三相异步电动机 (H355-450)
 Y 系列高压三相异步电动机 (H355-800)
 YKK 系列高压三相异步电动机 (H355-800)
 Y2 系列高压三相异步电动机 (H355-560)
 YX 系列高效高压三相异步电动机 (6KV, H355-630)
 YX 系列高效高压三相异步电动机 (10KV, H400-630)
 YR 系列高压绕线转子三相异步电动机 (H355-1000)
 YRKK 系列高压绕线转子三相异步电动机 (H355-1000)
 YFSS 系列双馈异步风力发电机 (H450-630)
 YFWK 系列双馈异步风力发电机 (H500)

YE2 Series High Efficiency 3-Phase Asynchronous Motor
 YE3 Series Premium Efficiency 3-Phase Asynchronous Motor
 YE4 Series Super-Premium 3-Phase Asynchronous Motor
 YE2、YE3 Series Special Motor for Smoke and Heat Exhaust Ventilators
 Y-H Series 3-Phase Asynchronous Motor In Ships
 YD Series 3-Phase Multi-Speed Motor
 YDT Series Ventilator used 3-Phase Multi-Speed Motor
 YVF2 Series Frequency Control 3-Phase Asynchronous Motor
 YH Series High Slip 3-Phase Asynchronous Motor
 Y-W Series Outdoor used 3-Phase Asynchronous Motor
 YT Series Ventilator used 3-Phase Asynchronous Motor
 1L(IP23) Series 3-Phase Asynchronous Motor
 Y(IP23) Series 3-Phase Asynchronous Motor
 YZS Series Crane 3-Phase Asynchronous Motor
 YEJ Series Electromagnetic Braking 3-Phase Asynchronous Motor
 YB3 Series Flameproof 3-Phase Asynchronous Motor
 YBK3 Series Flameproof 3-Phase Asynchronous Motor for Coal Mines
 YB3-H Series Flameproof 3-Phase Asynchronous Motor For Ships
 YBBP Series Flameproof Frequency Control 3-Phase Asynchronous Motor
 YBX3 Series High Efficiency Flameproof 3-Phase Asynchronous Motor
 YFB2 Series Dust Explosion-Proof 3-Phase Asynchronous Motor
 YFB3 series dust explosion-proof high efficiency three-phase asynchronous motor
 YB3 series high voltage flameproof three-phase asynchronous motor (6KV, H400-500)
 YB3 series high voltage flameproof three-phase asynchronous motor (10KV, H400-500)
 YBBP series high voltage flameproof type variable frequency and speed three-phase asynchronous motor (6KV, H400-450)
 YBBP series high voltage flameproof type variable frequency and speed three-phase asynchronous motor (10KV, H400-450)
 Y3 Series 3-Phase Asynchronous Motor
 Y Series High-Voltage 3-Phase Asynchronous Motor
 YKK Series High-Voltage 3-Phase Asynchronous Motor
 Y2 Series High-Voltage 3-Phase Asynchronous Motor
 YX Series High Efficiency High-Voltage 3-Phase Asynchronous Motor
 YR Series High-Voltage 3-Phase Wound Rotor Asynchronous Motor
 YRKK Series High-Voltage 3-Phase Wound Rotor Asynchronous Motor
 YFSS Series Doubly Fed Induction Windmill Generator
 YFWK Series Doubly Fed Induction Windmill Generator

◆ 客户合作 Cooperative Partner

