

YWZ4 Series electro-hydraulic drum brakes

YWZ4系列 电力液压鼓式制动器

应用 Application

- YWZ4系列电力液压鼓式制动器，广泛用于起重、运输、冶金、矿山、港口、码头、建筑机械等机械驱动装置的减速和停车制动。
- YWZ4 series electric hydraulic drum brakes are widely used for deceleration and parking braking of mechanical driving devices such as hoisting, transportation, metallurgy, mining, port, wharf and construction machinery.

符合标准 Standards Compliant

- 制动器的安装尺寸和制动力矩参数符合JB/ZQ4388-1997标准。技术要求符合JB/T6406-2006标准。
- The installation dimensions and braking torque parameters of the brake comply with JB/ZQ4388-1997 standard. The technical requirements shall comply with JB/T6406-2006 standard.

主要特点 Main Feature

- 主要摆动铰点均安装有自润滑轴承，传动效率高，寿命长，使用过程中无需润滑。
- 制动衬垫的安装型式有两种：铆接式和插入式。
- The main swing hinge points are equipped with self-lubricating bearings, with high transmission efficiency and no lubrication during use.
- There are two types of brake pad installation: riveted type and plug-in type.

型号意义 Model Significance

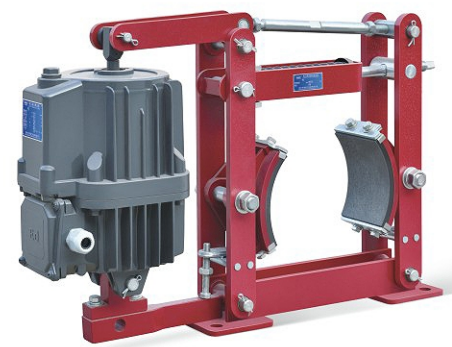


订货示例 Order Example

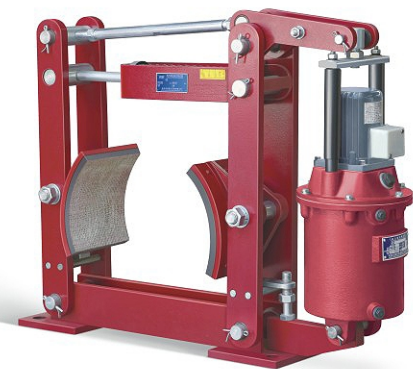
- 轮径 $\phi 400\text{mm}$, 推动器Ed50/6
标记为: YWZ4-400/E50
- 轮径 $\phi 400\text{mm}$, 推动器YT1-90Z/8
标记为: YWZ4-400/90

使用条件 Operating Condition

- 环境温度: $-20^{\circ}\text{C} \sim +50^{\circ}\text{C}$
- 相对湿度: 空气相对湿度不大于90%
- 使用地点的海拔高度应符合GB755-2008标准。
- 户外雨雪侵蚀或有腐蚀性气体和介质应采用防腐型产品。
- 有特殊要求时, 在订货时协商确定。
- Ambient temperature: $-20^{\circ}\text{C} \sim +50^{\circ}\text{C}$
- Relative humidity: air relative humidity is not more than 90%
- The altitude of the place of use shall comply with GB755-2008 standard.
- Outdoor rain and snow erosion or corrosive gases and media, anti-corrosion products shall be used.
- Special requirements can be discussed before production.

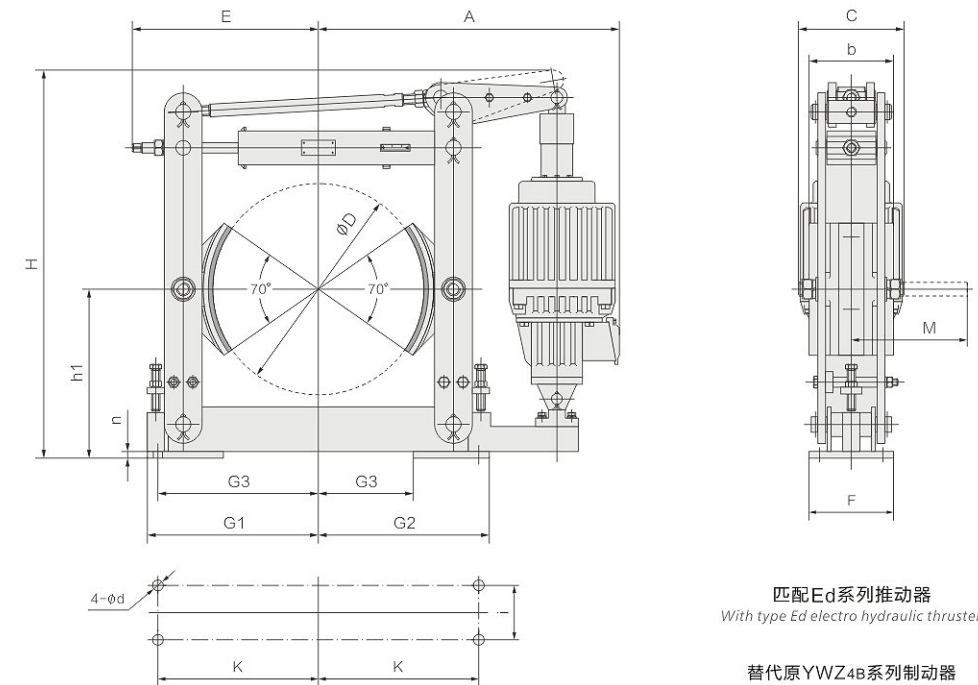


YWZ4(Ed) Series



YWZ4(YT1) Series

安装及外形尺寸 Outline and installation dimension

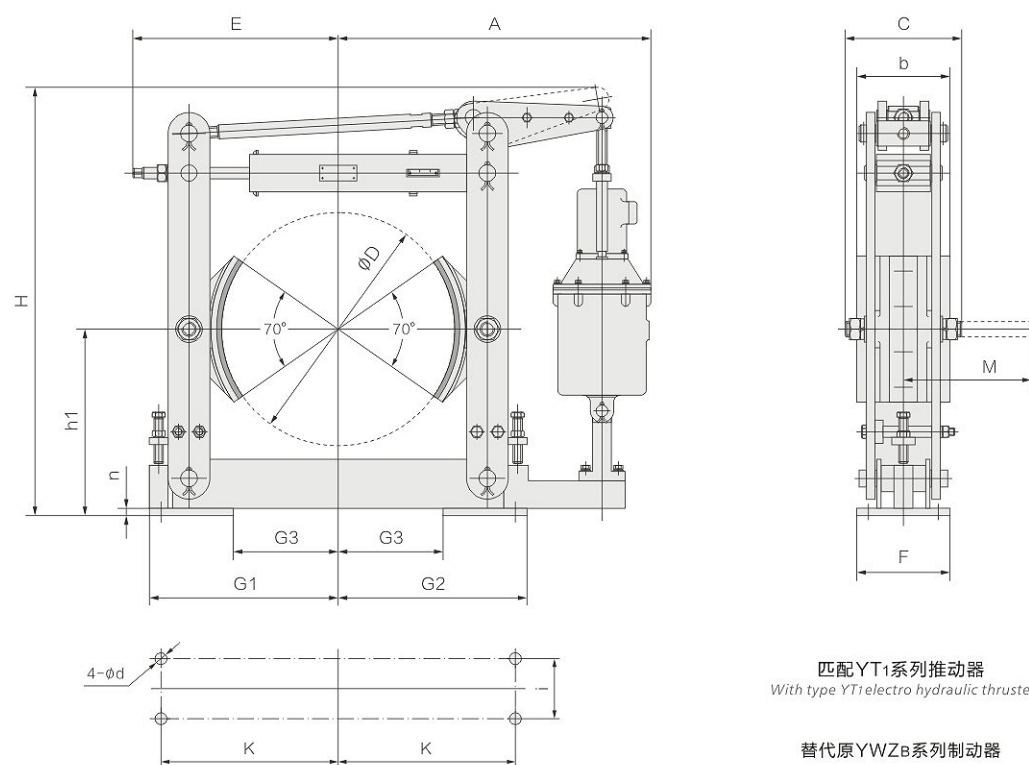


YWZ4(Ed)系列鼓式制动器技术参数及外形尺寸 Technical data and dimensions of YWZ4 (Ed) series drum brakes

制动器型号 Brake type	匹配推动器 Thruster type	制动力矩 Brake torque (Nm)	退距 Clearance (mm)	安装及外形尺寸 Dimensions (mm)																重量 Weight (kg)
				A	b	C	D	d	E	F	G1	G2	H	h1	i	K	M	n	G3	
YWZ4-100/E23	Ed23/5	40	0.6	320	70	160	100	13	130	75	125	125	377	100	40	110	144	6	50	21
YWZ4-100/E30	Ed30/5	100		442									24							
YWZ4-150/E23	Ed23/5	100	0.6	347	90	160	150	17	175	100	170	170	437	140	60	150	144	8	70	25
YWZ4-150/E30	Ed30/5	120		461									29							
YWZ4-200/E23	Ed23/5	200	0.7	430	90	160	200	17	210	100	195	195	436	170	60	175	156	8	95	31
YWZ4-200/E30	Ed30/5	230		427									34							
YWZ4-300/E30	Ed30/5	320	0.7	487	140	160	300	22	290	130	275	275	595	240	80	250	213	10	125	65
YWZ4-300/E50	Ed50/6	630		529									78							
YWZ4-300/E80	Ed80/6	750	0.8	664	180	220	400	22	370	180	350	350	750	320	130	325	275	12	190	140
YWZ4-400/E50	Ed50/6	1000											764							155
YWZ4-400/E80	Ed80/6	1600	0.8	713	200	250	500	22	440	200	405	405	919	400	150	380	310	16	225	210
YWZ4-500/E121	Ed121/6	2500											1251							210
YWZ4-500/E201	Ed201/6	3600	0.8	848	240	315	600	26	555	220	500	500	1095	475	170	475	400	18	250	390
YWZ4-600/E121	Ed121/6	3200											1248							465
YWZ4-600/E201	Ed201/6	5000	0.8	978	280	390	700	34	600	270	575	575	1251	550	200	540	495	25	315	466
YWZ4-700/E201	Ed201/6	8000											1417							465
YWZ4-700/E301	Ed301/12	8650	0.9	1115	320	436	800	34	680	320	677	677	1417	600	240	620	556	25	357	885
YWZ4-800/E301	Ed301/12	12500											1417							885

•注: 具体型号, 结构及外形尺寸保留更改的权利。 Note: The size of the specific type and structure should be retained.

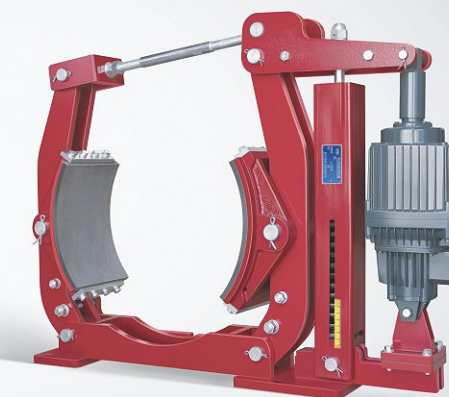
安装及外形尺寸 Outline and installation dimension



YWZ4 (YT1) 系列鼓式制动器技术参数及外形尺寸 Technical data and dimensions of YWZ4 (YT1) series drum brakes

制动器型号 Brake type	匹配推动器 Thruster type	制动力矩 Brake torque (Nm)	退距 Clearance (mm)	安装及外形尺寸 Dimensions (mm)														重量 Weight (kg)		
				A	b	C	D	d	E	F	G1	G2	H	h1	i	K	M		n	G3
YWZ4-100/18	YT1-18ZB/2	40	0.6	269	70	137	100	13	130	75	125	125	384	100	40	110	144	6	50	20
YWZ4-150/25	YT1-25ZB/4	100	0.6	307	90	154	150	17	175	100	170	170	437	140	60	150	144	8	70	26
YWZ4-200/25	YT1-25ZB/4	200	0.7	347	90	154	200	17	210	100	195	195	437	170	60	175	156	8	95	30
YWZ4-300/25	YT1-25ZC/4	320	0.7	447	140	160	300	22	290	130	275	275	590	240	80	250	210	10	125	63
YWZ4-300/45	YT1-45Z/6	630		178		70														
YWZ4-400/45	YT1-45Z/6	1000	0.8	564	180	220	400	22	370	180	350	350	750	320	130	325	275	12	190	120
YWZ4-400/90	YT1-90Z/8	1600		580		130														
YWZ4-400/125	YT1-125Z/10	2200	0.8	632	200	254	500	22	440	200	405	405	847	400	150	380	310	16	225	167
YWZ4-500/90	YT1-90Z/8	2500		670		250														919
YWZ4-500/125	YT1-125Z/10	2650	0.8	692	240	254	600	26	555	220	500	500	940	475	170	475	400	18	250	220
YWZ4-500/180	YT1-180Z/10	3000		946		235														
YWZ4-600/90	YT1-90Z/8	3200	0.8	805	315	600	26	555	220	500	500	1087	475	170	475	400	18	250	400	
YWZ4-600/180	YT1-180Z/12	5000		827															430	
YWZ4-700/180	YT1-180Z/12	8000	0.8	957	280	390	700	34	600	270	575	575	1248	550	200	540	495	25	315	500
YWZ4-800/180	YT1-180Z/12	10000		1094																720
YWZ4-800/320	YT1-320Z/12	12500	0.9	1115	320	436	800	34	680	320	677	677	1389	600	240	620	556	25	367	885

•注：具体型号，结构及外形尺寸保留更改的权利。
Note: The size of the specific type and structure should be retained.

YWZ5/YWZ9
Series electro-hydraulic
drum brakesYWZ5/YWZ9系列
电力液压鼓式制动器

YWZ5/YWZ9 Series

应用 Application

- YWZ5/YWZ9 系列电力液压鼓式制动器，广泛用于起重、运输、冶金、矿山、港口、码头、建筑机械等机械驱动装置的减速和停车制动。

APPLICATION

- YWZ5/YWZ9 series electric hydraulic drum brakes are widely used for deceleration and parking braking of mechanical driving devices such as hoisting, transportation, metallurgy, mining, port, wharf and construction machinery.

符合标准 Standards Compliant

- YWZ5/YWZ9 系列鼓式制动器的安装尺寸和制动力矩参数符合 GB6333-1986 标准，技术要求符合 JB/T6406-2006 标准。

STANDARDS COMPLIANT

- The installation dimensions and braking torque parameters of YWZ5/YWZ9 series drum brakes comply with GB6333-1986 standard, and the technical requirements comply with JB/T6406-2006 standard.

主要特点 Main Feature

- 性能安全可靠，制动平稳，动作频率高。
- 主要摆动铰点均设有自润滑轴承，传动效率高，寿命长，使用过程中无需润滑。
- 联锁式退距均等装置，在使用中始终保持两侧瓦块退距均等，避免因退距不均使一侧制动衬垫浮贴制动轮的现象。
- 无石棉制动衬垫与制动瓦块采用卡装插入式。安全可靠、更换方便。

- Safe and reliable performance, smooth braking, high action frequency.
- The main swing hinge points are equipped with self-lubricating bearings, which have high transmission efficiency and long service life, and do not need lubrication in the process of use.
- The interlocking back distance equalizing device always keeps the back distance of tiles on both sides equal in use to avoid the phenomenon that one side of the brake pad floats against the brake wheel due to uneven back distance.
- The asbestos free brake pad and brake pad shall be of snap in type.

使用条件 Operating Condition

- 环境温度：-20℃ ~ +50℃
- 相对湿度：空气相对湿度不大于 90%
- 使用地点的海拔高度应符合 GB755-2008 标准。
- 户外雨雪侵蚀或有腐蚀性气体和介质应采用防腐型产品。
- 有特殊要求时，在订货时协商确定。

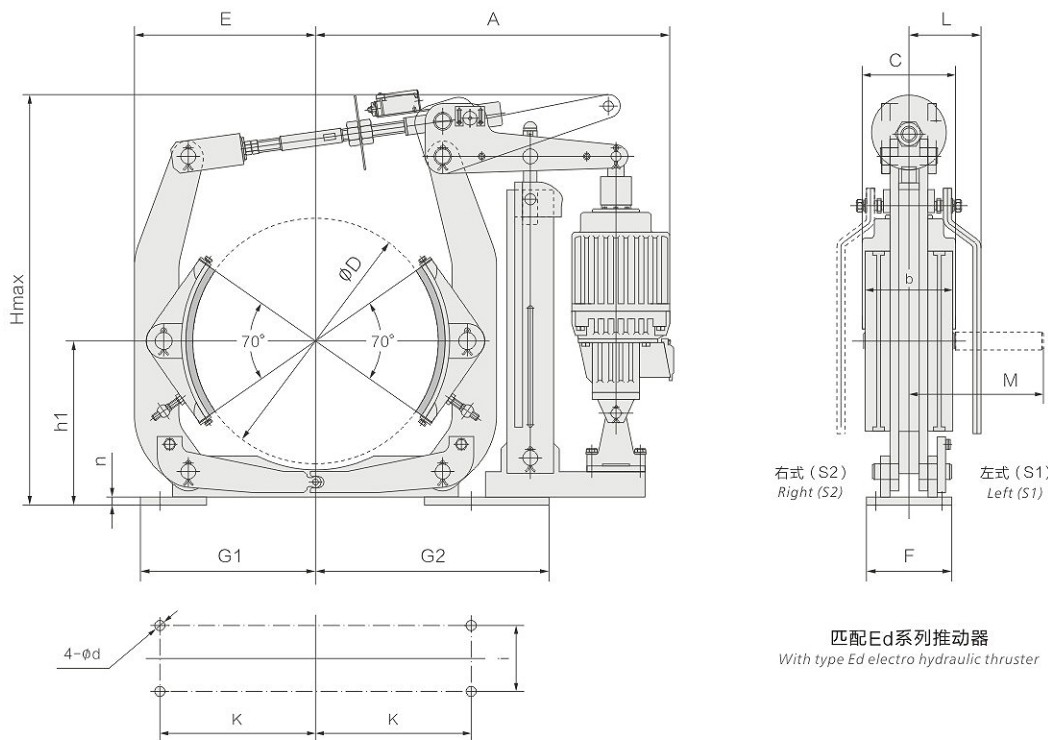
OPERATING CONDITION

- Ambient temperature: -20℃ ~ +50℃
- Relative humidity: air relative humidity is not more than 90%
- The altitude of the place of use shall comply with GB755-2008 standard.
- Outdoor rain and snow erosion or corrosive gases and media, anti-corrosion products shall be used.
- Special requirements can be discussed before production.

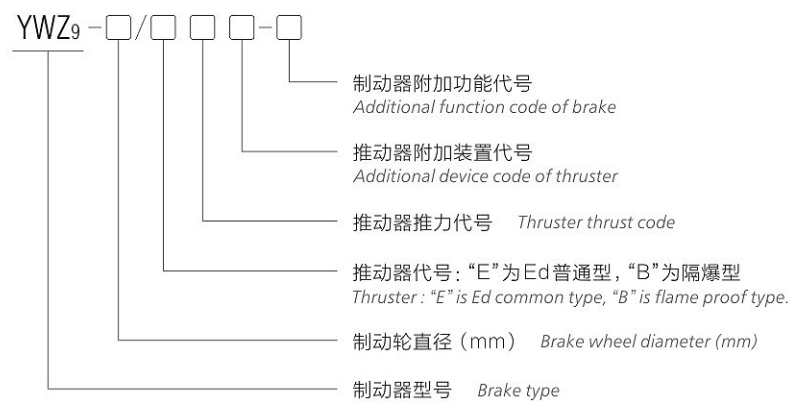
附加装置 Additional Devices

- 手动释放装置 (S1或S2)
 - 释放 (开闸) 限位开关, 可实现制动器是否正常释放的信号显示。
 - (K1或K2) 限位开关和监控装置。
 - 系列产品可带衬垫磨损自动补偿装置, 可实现衬垫磨损时瓦块退距和制动力矩的无级自动补偿。
 - 推动器可通过带延时阀, 实现制动器的延时释放或闭合。
- Manual release device (S1 or S2)
 - Releasing (opening) the limit switch can realize the signal display of whether the brake is released normally.
 - (K1 or K2) limit switch and monitoring device.
 - Series products can be equipped with automatic compensation device for pad wear, which can realize stepless automatic compensation of pad retreat and braking torque when pad wear.
 - The pusher can realize the delayed release or closing of the brake through the delay valve.

安装及外形尺寸 Outline and installation dimension



型号意义 Model Significance



制动器附加功能表 Additional functions

附加功能代号 Functions code	附加功能 Additional functions
M	衬垫磨损自动补偿装置 Pad wear self-compensating device
K1	开闸 (上升) 显示行程开关 Trip switch for opening (rising) display
K2	闭闸 (下降) 显示行程开关 Trip switch for closing (lowering) display
K3	衬垫磨损极限显示行程开关 Pad wear limit display travel switch
S1	左式手动装置 Left hand device
S2	右式手动装置 Right hand device

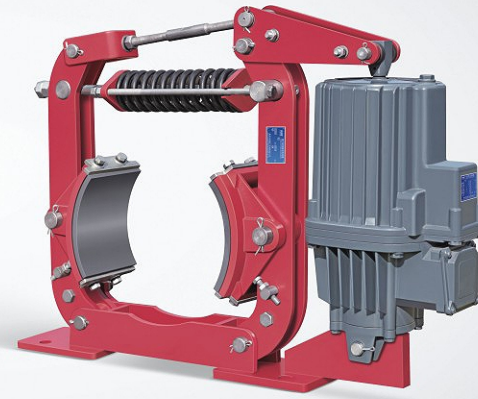
YWZ5/YWZ9系列鼓式制动器技术参数及外形尺寸 Technical data and dimensions of YWZ5/YWZ9 series drum brakes

制动器型号 Brake type	匹配推动器 Thruster type	制动力矩 Brake torque (Nm)	退距 Clearance (mm)	安装及外形尺寸 Dimensions (mm)																重量 Weight (kg)	
				A	b	C	D	d	E	F	G1	G2	Hmax	h1	i	K	M	n	L		
YWZ5/YWZ9	-160/E23	Ed23/5	80-160	1.0	430	65	160	160	14	145	85	145	195	435	132	55	130	120	8	145	32.5
	-200/E23	Ed23/5	112-200	1.0	470	80	160	200	14	175	90	165	265	500	160	55	145	140	10	150	35
	-200/E30	Ed30/5	140-315		38																
	-250/E23	Ed23/5	140-250	1.0	535	100	160	250	18	205	110	200	290	570	190	65	180	160	12	180	42
	-250/E30	Ed30/5	180-315																		45
	-250/E50	Ed50/6	315-500																		50
	-300/E23	Ed23/5	180-280	1.25	590	125	160	300	18	255	115	245	330	585	225	80	220	180	12	170	70
	-300/E30	Ed30/5	250-400																		75
	-300/E50	Ed50/6	400-630																		80
-300/E80	Ed80/6	630-1000	80																		
-315/E23	Ed23/5	180-280	1.25	590	125	160	300	18	255	115	245	330	585	225	80	220	180	12	170	70	
-315/E30	Ed30/5	250-400																		75	
-315/E50	Ed50/6	400-630																		80	
-315/E80	Ed80/6	630-1000																		80	
YWZ6/YWZ7	-400/E30	Ed30/5	200-470	1.25	670	160	190	400	22	310	160	310	420	715	280	100	270	220	14	170	88
	-400/E50	Ed50/6	400-800																		95
	-400/E80	Ed80/6	630-1250																		110
	-400/E121	Ed121/6	1000-2000	1.25	700	240	775	125													
	-500/E50	Ed50/6	450-1000	1.25	810	190	200	500	22	385	180	365	535	810	335	130	325	280	16	180	175
	-500/E80	Ed80/6	800-1600																		190
	-500/E121	Ed121/6	1120-2500																		190
	-500/E201	Ed201/6	2000-4000																		190
	-600/E121	Ed121/6	1800-2800	1.6	925	240	240	600	26	470	220	450	600	1035	425	170	400	340	25	185	300
-600/E201	Ed201/6	2500-4500	305																		
-600/E301	Ed301/6	4000-6500	305																		
-630/E121	Ed121/6	1800-3150	1.6	925	250	240	630	26	470	220	450	600	1035	425	170	400	340	25	185	310	
-630/E201	Ed201/6	2500-5000																		315	
-630/E301	Ed301/6	4000-7100																		315	
-700/E201	Ed201/6	2500-5600	1.6	980	280	240	700	27	525	240	500	650	1140	475	190	450	360	30	220	420	
-700/E301	Ed301/6	4000-8000																		425	
-710/E201	Ed201/6	2500-5600	1.6	980	280	240	710	27	525	240	500	650	1140	475	190	450	360	30	220	420	
-710/E301	Ed301/6	4000-8000																		425	
-800/E301/12	Ed301/12	10500-12500	2.0	1230	320	240	800	27	595	280	570	830	1355	530	210	520	440	30	240	545	

- 注: 630及以上规格制动器带M功能时, 使用短行程推动器。
Note: Short-stroke thrusters will be adopted if brake (specification is not less 630) is equipped with M function.
- 根据用户需要可生产各种常开制动器、防爆产品及非标产品。
According to the needs of users, we can produce all kinds of normally open brakes, explosion-proof products and non-standard products.
- 根据用户需要可生产匹配YT1推动器。(注: 外形尺寸有变化)
Match the user needs to produce YT1 engine. (Note: Dimension change)
- 具体型号, 结构及外形尺寸保留更改的权利。
The size of the specific type and structure should be retained.

YWZ8 Series electro-hydraulic drum brakes

YWZ8系列 电力液压鼓式制动器



YWZ8 Series

应用 Application

- YWZ8系列电力液压鼓式制动器，广泛用于起重、运输、冶金、矿山、港口、码头、建筑机械等机械驱动装置的减速和停车制动。

APPLICATION

- YWZ8 series electric hydraulic drum brakes are widely used for deceleration and parking braking of mechanical driving devices such as hoisting, transportation, metallurgy, mining, port, wharf and construction machinery.

符合标准 Standards Compliant

- YWZ8系列制动器的安装尺寸和制动力矩参数符合JB/ZQ4388-1997标准，技术要求符合JB/T6406-2006标准。

- The installation dimensions and braking torque parameters of YWZ8 series brakes comply with JB/ZQ4388-1997 standard, and the technical requirements comply with JB/T6406-2006 standard.

主要特点 Main Feature

- 性能安全可靠，制动平稳，动作频率高。
- 主要摆动铰点均设有自润滑轴承，传动效率高，寿命长，使用过程中无需润滑。
- 联锁式退距均等装置，在使用中始终保持两侧瓦块退距均等，避免因退距不均使一侧制动衬垫浮贴制动轮的现象。
- 制动力矩直接显示。
- 无石棉制动衬垫与制动瓦块采用卡装插入式。安全可靠、更换方便。

MAIN FEATURE

- Safe and reliable performance, smooth braking, high action frequency.
- The main swing hinge points are equipped with self-lubricating bearings, which have high transmission efficiency and long service life, and do not need lubrication in the process of use.
- The interlocking back distance equalizing device always keeps the back distance of tiles on both sides equal in use to avoid the phenomenon that one side of the brake pad floats against the brake wheel due to uneven back distance.
- The braking torque is displayed directly.
- The asbestos free brake pad and brake pad shall be of snap in type.

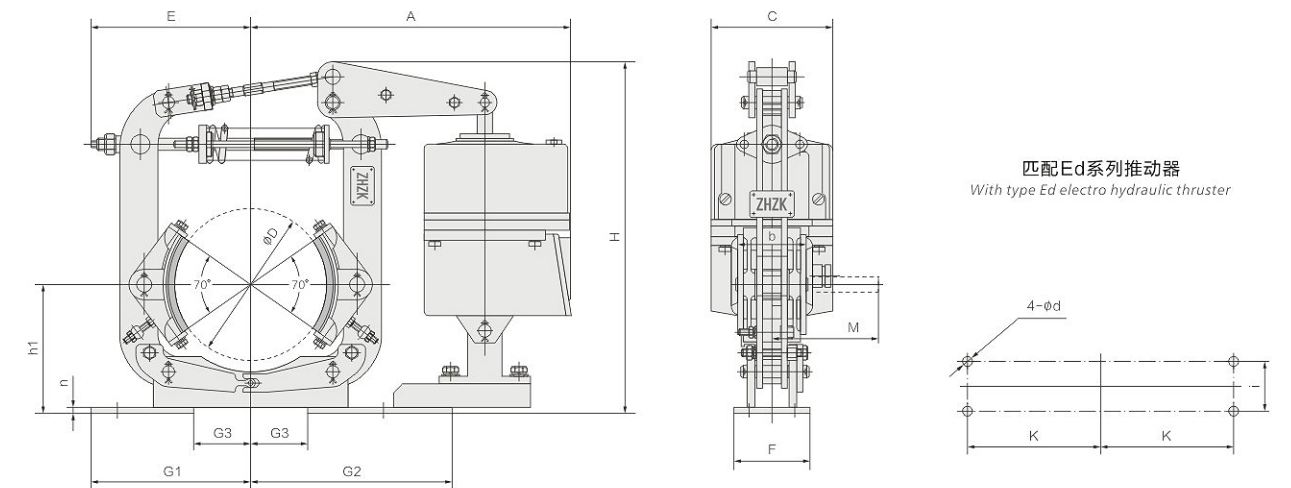
使用条件 Operating Condition

- 环境温度：-20°C ~ +50°C
- 相对湿度：空气相对湿度不大于90%
- 电源电压：3相、交流380V、50Hz（其它电源等级可按需要定制）
- 使用地点的海拔高度应符合GB755-2008标准。
- 户外雨雪侵蚀或有腐蚀性气体和介质应采用防腐型产品。
- 有特殊要求时，在订货时协商确定。

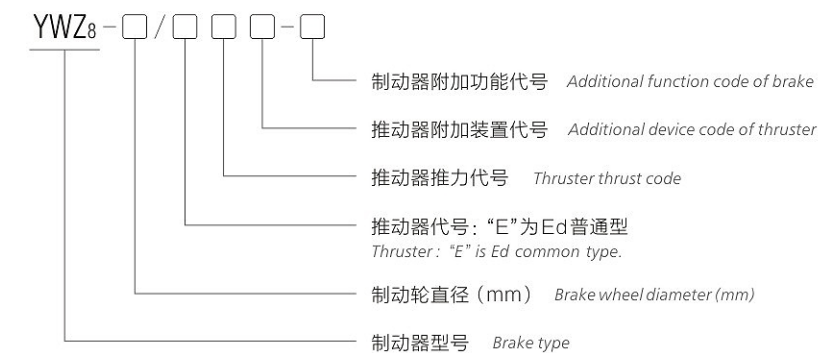
OPERATING CONDITION

- Ambient temperature: -20°C ~ +50°C
- Relative humidity: air relative humidity is not more than 90%
- Voltages: AC3 phase 380V, 50Hz (Other voltage can be made as required)
- The altitude of the place of use shall comply with GB755-2008 standard.
- Outdoor rain and snow erosion or corrosive gases and media, anti-corrosion products shall be used.
- Special requirements can be discussed before production.

安装及外形尺寸 Outline and installation dimension



型号意义 Model Significance



订货示例 Order Example

- YWZ8-400/E121 YWZ8-400/121A-K1
- YWZ8-400/E121-440V, 60Hz

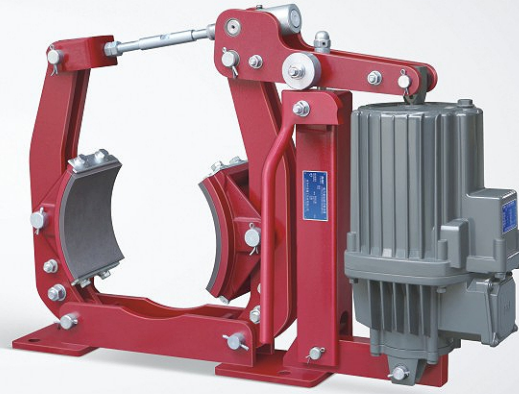
YWZ8系列鼓式制动器技术参数及外形尺寸 Technical data and dimensions of YWZ8 series drum brakes

制动器型号 Brake type	匹配推动器 Thruster type	制动力矩 Brake torque (Nm)	退距 Clearance (mm)	安装及外形尺寸 Dimensions (mm)																重量 Weight (kg)		
				A	b	C	d	D	E	F	G1	G2	H	h1	i	K	M	n	G3			
YWZ8	-200/E23	Ed23/5	135-200	0.7	430	90	160	17	200	210	100	210	265	470	170	60	175 (190)	140	8	75	35	
	-200/E30	Ed30/5	135-310		500		160															43
	-300/E30	Ed30/5	200-320	1.0	540	140	190	22	300	310	130	300	300	610	240	80	250 (270)	180	12	120	80	
	-300/E50	Ed50/6	200-550		540		190															92
YWZ8	-300/E80	Ed80/6	350-850	1.0	660	180	190	22	400	355	180	350	400	760	320	130	325	220	14	150	120	
	-400/E50	Ed50/6	600-750		660		190															130
	-400/E80	Ed80/6	600-1300	650		240																150
	-400/E121	Ed121/6	850-2000	1.2	735	200	240	22	500	455	200	405	455	930	400	150	380	280	16	205	220	
YWZ8	-500/E121	Ed121/6	1000-2600	1.3	845	240	240	26	600	543	220	500	550	1110	475	170	475	340	20	240	360	
	-500/E201	Ed201/6	1500-3700		845		240															
	-600/E121	Ed121/6	1700-2800	1.3	948	280	240	34	700	615	280	580	650	1278	550	200	540	380	25	300	450	
	-600/E201	Ed201/6	1700-4300		948		240															
-600/E301	Ed301/6	3000-6500	1.6	1027	320	240	34	800	640	310	670	830	1430	600	240	620	440	38	310	560		
-700/E201	Ed201/6	3000-5000		1027		240																
-710/E301	Ed301/6	3700-8000	1.6	1027	320	240	34	800	640	310	670	830	1430	600	240	620	440	38	310	560		
-800/E301/12	Ed301/12	6000-10000		1027		240																

注：若安装尺寸为括号内尺寸时，订货时需特别指出。 Note: If the installation size is in brackets, it should be noted when ordering.

YWZ13 Series electro-hydraulic drum brakes

YWZ13系列 电力液压鼓式制动器



YWZ13 Series

应用 Application

- YWZ13系列电力液压鼓式制动器，广泛用于起重、运输、冶金、矿山、港口、码头、建筑机械等机械驱动装置的减速和停车制动。
- YWZ13 series electric hydraulic drum brakes are widely used for deceleration and parking braking of mechanical driving devices such as hoisting, transportation, metallurgy, mining, port, wharf and construction machinery.

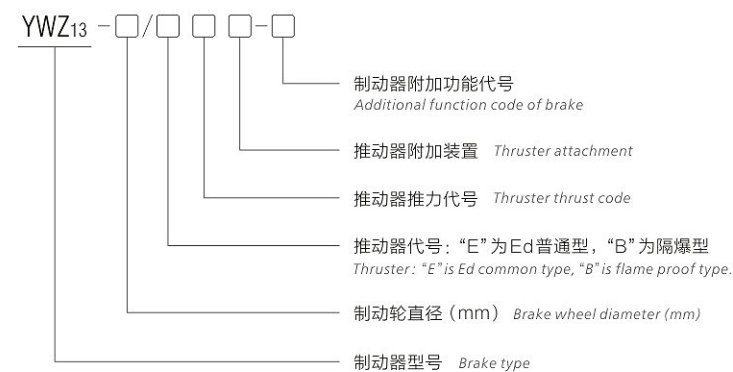
使用条件 Operating Condition

- 环境温度：-20°C ~ +50°C
- 相对湿度：空气相对湿度不大于90%
- 使用地点的海拔高度应符合GB755-2008标准。
- 户外雨雪侵蚀或有腐蚀性气体和介质应采用防腐型产品。

OPERATING CONDITION

- Ambient temperature: -20°C ~ +50°C
- Relative humidity: air relative humidity is not more than 90%
- The altitude of the place of use shall comply with GB755-2008 standard.
- Outdoor rain and snow erosion or corrosive gases and media, anti-corrosion products shall be used.

型号意义 Model Significance



符合标准 Standards Compliant

- 制动器安装尺寸和制动力矩参数符合JB/ZQ4388-1997标准，技术要求符合JB/T6406-2006标准。

STANDARDS COMPLIANT

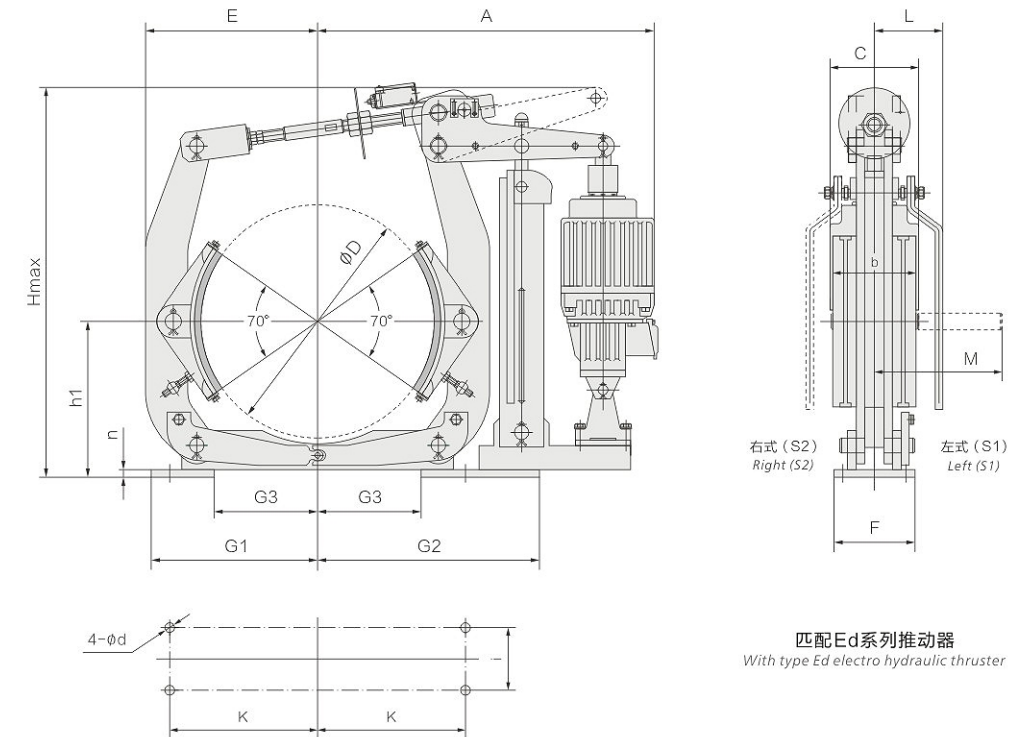
- The installation dimensions and braking torque parameters of the brake comply with JB/ZQ4388-1997 standard. The technical requirements shall comply with JB/T6406-2006 standard.

制动器附加功能表 Additional functions

附加功能代号 Functions code	附加功能 Additional functions
M	衬垫磨损自动补偿装置 Pad wear self-compensating device
K1	开闸（上升）显示行程开关 Trip switch for opening (rising) display
K2	闭闸（下降）显示行程开关 Trip switch for closing (lowering) display
K3	衬垫磨损极限显示行程开关 Pad wear limit display travel switch
S1	左式手动装置 Left hand device
S2	右式手动装置 Right hand device

- 注：根据用户需要可生产各种常开式制动器，防爆产品及非标产品。
Note: various normally open brakes, explosion-proof products and non-standard products can be produced according to the needs of users.

安装及外形尺寸 Outline and installation dimension



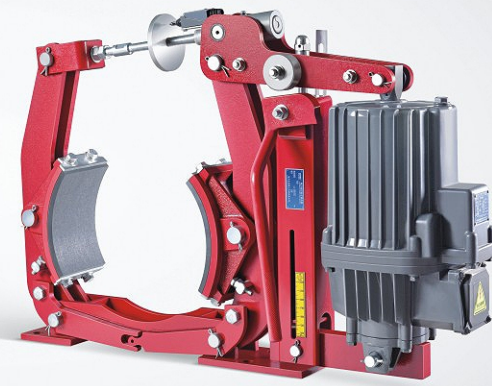
YWZ13系列鼓式制动器技术参数及外形尺寸 Technical data and dimensions of YWZ13 series drum brakes

制动器型号 Brake type	匹配推动器 Thruster type	制动力矩 Brake torque (Nm)	退距 Clearance (mm)	安装及外形尺寸 Dimensions (mm)																重量 Weight (kg)			
				A	b	C	D	d	E	F	G1	G2	Hmax	h1	i	K	M	n	L		G3		
YWZ13	-200/E23	Ed23/5	100-200	0.7	470	90	160	200	17	175	100	210	265	510	170	60	175 (190)	140	8	150	75	32	
	-200/E30	Ed30/5	140-315																			43	
	-300/E30	Ed30/5	250-400	0.8	590		160															65	
	-300/E50	Ed50/6	400-630			140		300	22	255	130	295	330	605	240	80	250 (270)	180	12	170	135	80	
	-300/E80	Ed80/6	630-1000			630		190															92
YWZ13	-400/E50	Ed50/6	400-800	1.2	710		190							755								120	
	-400/E80	Ed80/6	630-1250			180		400	22	310	180	350	420		320	130	325	220	14	170	150	130	
	-400/E121	Ed121/6	1000-2000		700		240							820								150	
	-500/E80	Ed80/6	800-1600	1.2	810										880								
	-500/E121	Ed121/6	1250-2500			200	240	500	22	380	200	405	535		400	150	380	280	16	180	205	220	
YWZ13	-500/E201	Ed201/6	2000-4000	1.3	925	240	240	600	26	470	220	500	600	1080	475	170	475	340	20	185	240	305	
	-600/E121	Ed121/6	1800-2800																				
	-600/E201	Ed201/6	2500-4500																				
	-600/E301	Ed301/6	4000-6500	1.3	980	280	240	700	34	530	270	570	650	1290	550	200	540	380	25	220	300	425	
	-700/E201	Ed201/6	2500-5600																				
-700/E301	Ed301/6	4000-8000																					
-800/E301	Ed301/12	12500	2.0	1230	320	240	800	34	600	310	670	830	1430	600	240	620	420	34	240	310	545		

- 注：若安装尺寸为括号内时，订货时需特别指出。具体型号，结构及外形尺寸保留更改的权利。
Note: If installation dimensions are in brackets, special instructions should be made when ordering. The size of the specific type and structure should be retained.

YW Series electro-hydraulic drum brakes

YW系列 电力液压鼓式制动器



YW Series

应用 Application

- YW 系列电力液压鼓式制动器，广泛用于起重、运输、冶金、矿山、港口、码头、建筑机械等机械驱动装置的减速和停车制动。
- YW series electric hydraulic drum brakes are widely used for deceleration and parking braking of mechanical driving devices such as hoisting, transportation, metallurgy, mining, port, wharf and construction machinery.

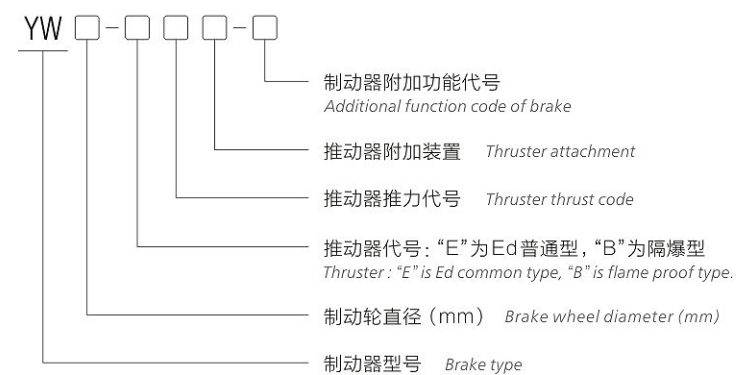
使用条件 Operating Condition

- 环境温度：-20°C ~ +50°C
- 相对湿度：空气相对湿度不大于90%
- 使用地点的海拔高度应符合GB755-2008标准。
- 户外雨雪侵蚀或有腐蚀性气体和介质应采用防腐型产品。

OPERATING CONDITION

- Ambient temperature: -20°C ~ +50°C
- Relative humidity: air relative humidity is not more than 90%
- The altitude of the place of use shall comply with GB755-2008 standard.
- Outdoor rain and snow erosion or corrosive gases and media, anti-corrosion products shall be used.

型号意义 Model Significance



符合标准 Standards Compliant

- YW 系列电力液压鼓式制动器的安装尺寸和制动力矩参数符合DIN15435和JB/T7021-2006标准，技术要求符合JB/T6406-2006标准。

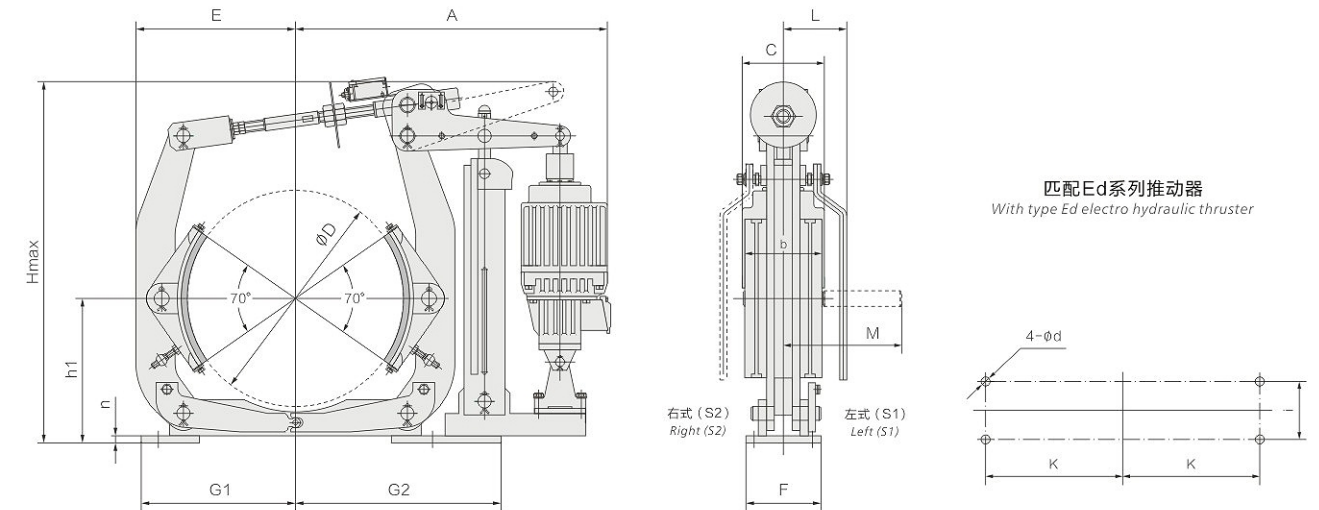
STANDARDS COMPLIANT

- The installation dimensions and braking torque parameters of YW series electric hydraulic drum brake comply with DIN15435 and JB/T7021-2006 standards, and the technical requirements comply with JB/T6406-2006 standards.

制动器附加功能表 Additional functions

附加功能代号 Functions code	附加功能 Additional functions
M	衬垫磨损自动补偿装置 Pad wear self-compensating device
K1	开闸 (上升) 显示行程开关 Trip switch for opening (rising) display
K2	闭闸 (下降) 显示行程开关 Travel switch for closing (lowering) display
K3	衬垫磨损极限显示行程开关 Pad wear limit display travel switch
S1	左式手动装置 Left hand device
S2	右式手动装置 Right hand device

安装及外形尺寸 Outline and installation dimension



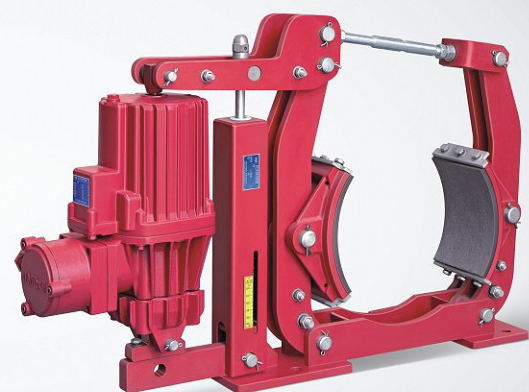
YW 系列鼓式制动器技术参数及外形尺寸 Technical data and dimensions of YW series drum brakes

制动器型号 Brake type	匹配推动器 Thruster type	制动力矩 Brake torque (Nm)	退距 Clearance (mm)	安装及外形尺寸 Dimensions (mm)																	重量 Weight (kg)
				A	b	C	D	d	E	F	G1	G2	Hmax	h1	i	K	M	n	L		
YW160-E220	Ed23/5	80-160	1.0	430	65	160	160	14	145	85	145	195	440	132	55	130	105	8	145	32.5	
YW200-E220	Ed23/5	100-200	1.0	470	70	160	200	14	175	90	165	255	500	160	55	145	118	10	150	35	
YW200-E300	Ed30/5	150-335	1.0	470	70	160	200	14	175	90	165	255	500	160	55	145	118	10	150	38	
YW250-E220	Ed23/5	125-250	1.0	530	90	160	250	18	205	110	200	290	585	190	65	180	149	12	180	45	
YW250-E300	Ed30/5	180-350	533	48																	
YW250-E500	Ed50/6	300-550	570	53																	
YW250-E800	Ed80/6	300-970	1.0	530	90	160	250	18	205	110	200	290	585	190	65	180	149	12	180	56	
YW315-E220	Ed23/5	150-320	1.25	590	110	160	315	18	255	115	245	330	585	230	80	220	174	17	170	70	
YW315-E300	Ed30/5	200-450	620	75																	
YW315-E500	Ed50/6	315-710	620	80																	
YW315-E800	Ed80/6	630-1240	1.25	620	110	160	315	18	255	115	245	330	585	230	80	220	174	17	170	80	
YW400-E300	Ed30/5	200-470	1.25	680	140	190	400	22	310	160	310	420	715	280	100	270	211	14	170	138	
YW400-E500	Ed50/6	400-800	710	140																	
YW400-E800	Ed80/6	630-1250	700	140																	
YW400-E1250	Ed121/6	1000-2240	1.25	700	140	190	400	22	310	160	310	420	715	280	100	270	211	14	170	140	
YW500-E500	Ed50/6	450-1235	1.25	810	180	190	500	22	390	180	365	535	815	340	130	325	270	21	180	176	
YW500-E800	Ed80/6	800-1600	800	176																	
YW500-E1250	Ed121/6	1250-2500	800	176																	
YW500-E2000	Ed201/6	2000-4000	1.6	810	180	190	500	22	390	180	365	535	815	340	130	325	270	21	180	204	
YW630-E1250	Ed121/6	1600-3150	1.6	925	225	240	630	26	470	220	450	600	1035	420	170	400	330	20	185	310	
YW630-E2000	Ed201/6	2500-5000	1.6	925	225	240	630	26	470	220	450	600	1035	420	170	400	330	20	185	315	
YW630-E3000	Ed301/6	3550-7100	1.6	925	225	240	630	26	470	220	450	600	1035	420	170	400	330	20	185	315	
YW710-E1250	Ed121/6	1000-3250	1.6	980	255	240	710	27	520	240	500	650	1135	470	190	450	372	25	220	435	
YW710-E2000	Ed201/6	2500-5600	1.6	980	255	240	710	27	520	240	500	650	1135	470	190	450	372	25	220	441	
YW710-E3000	Ed301/6	4000-8000	1.6	980	255	240	710	27	520	240	500	650	1135	470	190	450	372	25	220	441	
YW800-E3000	Ed301/12	12500	2.0	1227	280	240	800	27	580	280	570	830	1360	530	210	520	410	30	240	600	

• 注：具体型号，结构及外形尺寸保留更改的权利。 Note: The size of the specific type and structure should be retained.

DYW Series explosion protected drum brakes

DYW 系列 隔爆型电力液压鼓式制动器



DYW Series

概述 Overview

- 隔爆型电力液压鼓式制动器，广泛用于有隔爆要求的各种起重运输、皮带运输、港口装卸、冶金及建筑机械中各种机构的减速和停车制动。
- DYW系列隔爆型电力液压制动器的安装尺寸和制动力矩参数符合GB6333-86标准，技术要求符合JB/T6406-2006标准。

OVERVIEW

- Flame proof electric hydraulic drum brake is widely used in deceleration and parking braking of various mechanisms in various lifting transportation, belt transportation, port loading and unloading, metallurgy and construction machinery with flameproof requirements.
- The installation dimensions and braking torque parameters of DYW series flameproof electro-hydraulic brakes comply with GB6333-86 standard. The technical requirements shall comply with JB/T6406-2006 standard.

使用条件 Operating Condition

- 环境温度：-20°C ~ +40°C
- 海拔高度不超过2000m。
- 相对湿度：安装地点的空气相对湿度不大于90%。
- 工作制：间歇性（S3-60%）和连续（S1）
- 电源电压：三相交流，频率为50Hz，额定电压为：380V/660V、660V/1140V，电压波动应不超过-10%~+10%。
- 适用于GB3836.2《爆炸性气体环境用电气设备 第2部分 隔爆型“d”》的规定，防爆等级为IIA、IIB温度组别为T1-T4组可燃气体与空气形成的爆炸性混合物场所。
- 有特殊要求时，在订货时协商确定。

OPERATING CONDITION

- Ambient temperature: -20°C ~ +40°C
- The altitude shall not exceed 2000m.
- Relative humidity: the humidity shall not be greater than 90%.
- Working system: intermittent (S3-60%) and continuous (S1)
- Power supply voltage: three-phase AC, frequency 50Hz, rated voltage: 380V/660V, 660V/1140V, voltage fluctuation shall not exceed -10% ~ +10%.
- Applicable to GB3836.2 according to the provisions of electrical equipment for explosive gas environment Part 2: flameproof type "d", the explosion-proof grade is IIA and IIB, and the temperature group is T1-T4. It is an explosive mixture place formed by combustible gas and air.
- Special requirements can be discussed before production.

型号意义 Model Significance



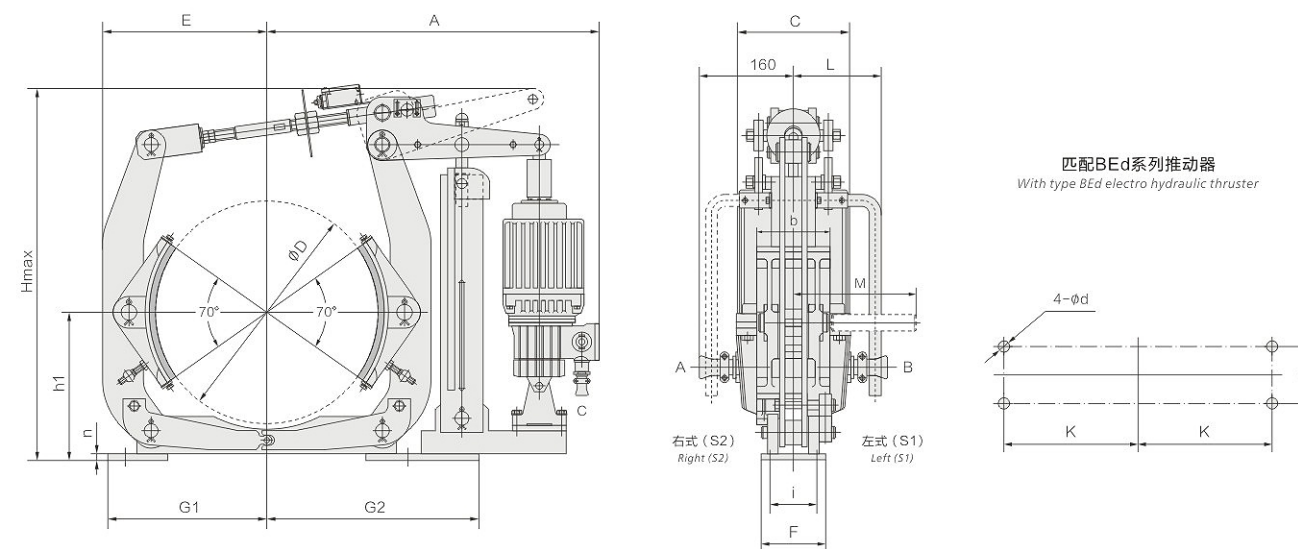
订货示例 Order Example

- DYW500-1600-S1.M (BEd121/6 380V/660V)

制动器附加功能表 Additional function table

附加功能代号 Additional function code	附加功能 Additional functions
M	衬垫磨损自动补偿装置 Pad wear self-compensating device
K1	开闸（上升）显示行程开关 Trip switch for opening (rising) display
K2	闭闸（下降）显示行程开关 Travel switch for closing (lowering) display
K3	衬垫磨损极限显示行程开关 Pad wear limit display travel switch

安装及外形尺寸 Outline and installation dimension



DYW系列隔爆型鼓式制动器技术参数及外形尺寸 Technical data and dimensions

制动器型号 Brake type	匹配推动器 Thruster type	制动力矩 Brake torque (Nm)	安装及外形尺寸 Dimensions (mm)														重量 Weight (kg)		
			A	b	C	D	d	E	F	G1	G2	H	h1	i	K	M		n	L
DYW200-224	BEd30/5	140-315	608	80	160	200	14	175	90	165	265	540	160	55	145	140	10	150	51
DYW250-400	BEd30/5	180-315	673	100	160	250	18	205	110	200	290	570	190	65	180	160	12	180	58
	BEd50/6	315-500	656		610							67							
DYW300-750	BEd30/5	250-400	728	125	160	300	18	255	115	245	330	585	225	80	220	180	12	170	83
	BEd50/6	400-630	711		625							97							
	BEd80/6	630-1000	711		190							97							
DYW315-900	BEd30/5	250-400	728	125	160	315	18	255	115	245	330	585	225	80	220	180	12	170	83
	BEd50/6	400-630	711		625							97							
	BEd80/6	630-1000	711		190							97							
DYW400-1200	BEd80/6	630-1250	791	160	190	400	22	310	160	310	420	775	280	100	270	220	14	170	127
	BEd121/6	1000-2000	792		240							140							
DYW500-1600	BEd121/6	1120-2500	892	200	240	500	22	385	180	365	535	845	335	130	325	280	16	180	205
	BEd201/6	2000-4000	892		240							205							
DYW600-1800	BEd121/6	1800-2800	1017	240	240	600	26	470	220	450	600	1035	425	170	400	340	25	185	310
	BEd201/6	2500-4500										310							
	BEd301/6	4000-6500										315							
DYW630-1900	BEd121/6	1800-3150	1017	240	250	630	26	470	220	450	600	1035	425	170	400	340	25	185	310
	BEd201/6	2500-5000										310							
	BEd301/6	4000-7100										315							
DYW700-2000	BEd201/6	2500-5600	1072	280	240	700	27	525	240	500	650	1140	475	190	450	360	30	220	430
	BEd301/6	4000-8000										435							
DYW710-2250	BEd201/6	2500-5600	1072	280	240	710	27	525	240	500	650	1140	475	190	450	360	30	220	430
	BEd301/6	4000-8000										435							

*注：具体型号，结构及外形尺寸保留更改的权利。 Note: The size of the specific type and structure should be retained.