

# IDL Hydrostatic Power Head Drive Series

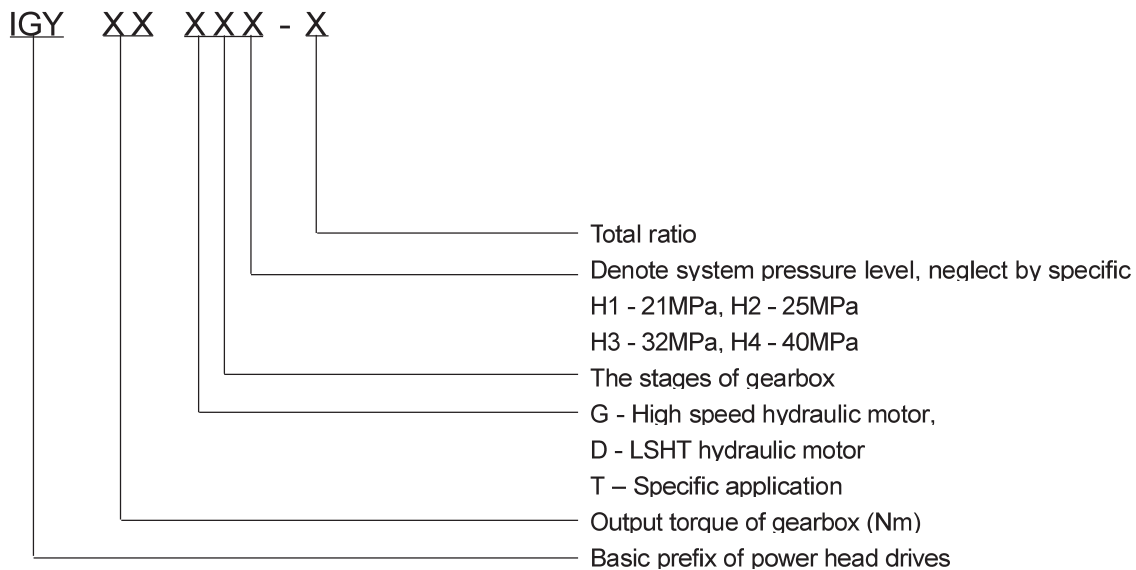
## 1. Brief Introduction

The IDL hydrostatic power head drive series adopt our patented technology and advanced manufacture method. The series consist of planetary gearbox, axial piston or LSHT hydraulic motor, and valve block. The drives feature high total efficiency, great reliability, compact design, and wide speed control range. By rotating output housing have high radial and axial load capacity at the same time, the drives can be directly installed in the machinery without other support bearing.

The drives described in this catalog are of the standard type. Other design variants with deviating transmission, dimensions and power characteristics are available if so requested for specific applications.

The drives have been widely used in the transmission drives for roadheader of coal miner and milling machine. The drives have been used by domestic customer such as XCMG, and some roadheader enterprises of coal miner.

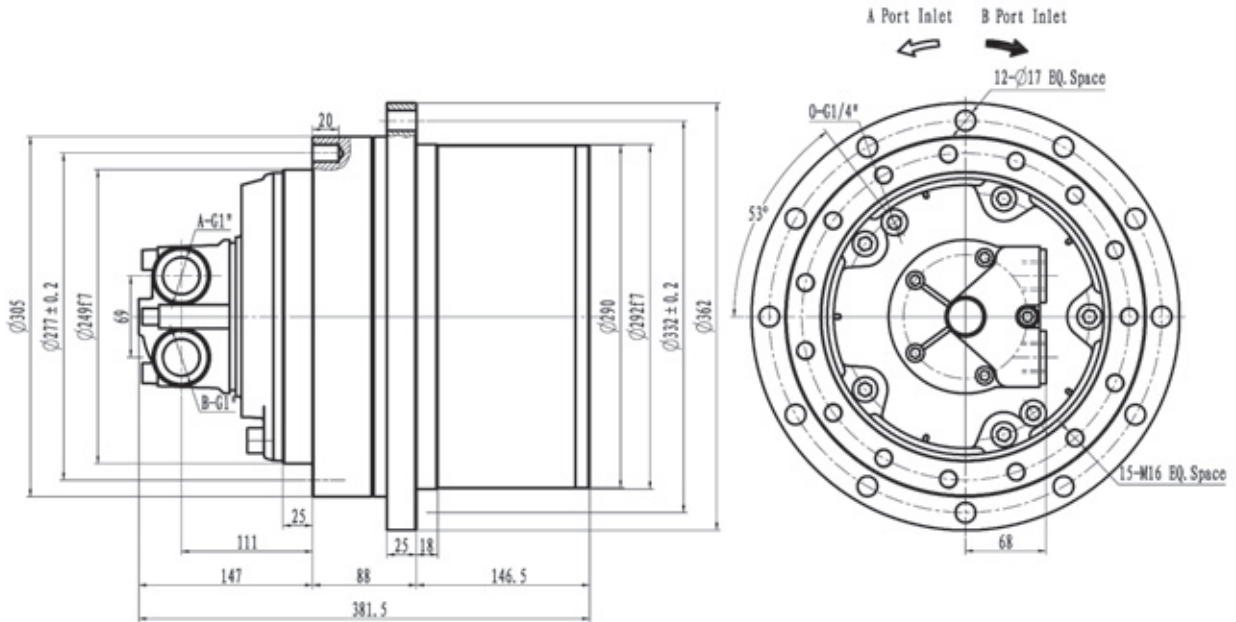
## 2. Model Options



## 3. Options Example

IDL5000D1H2-5 represents that the power head drive has output torque of 5000Nm, one stage planetary gearbox with total ratio of 5, fitted with a LSHT hydraulic motor. The system pressure level is 25MPa.

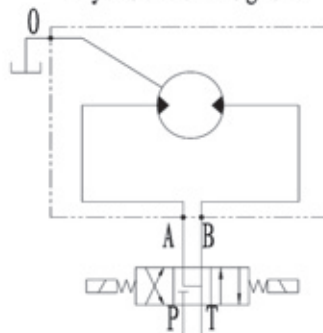
Dimensions



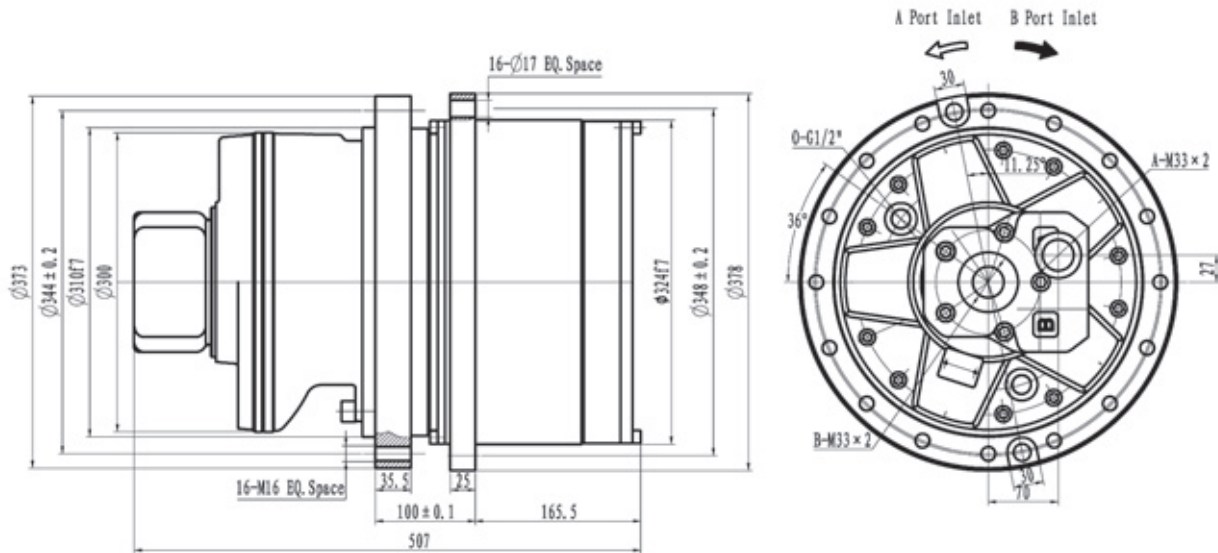
Specification

| Model          | Max. Torque<br>(N · m) | Speed<br>(rpm) | Ratio | Max. Pressure<br>(MPa) | Total Displacement<br>(ml/r) | Motor Displacement<br>(ml/r) | Continuous Power<br>(kW) | Weight<br>(kg) |
|----------------|------------------------|----------------|-------|------------------------|------------------------------|------------------------------|--------------------------|----------------|
| IDL5000D1-H2-5 | 5000                   | 60             | 4.882 | 25                     | 1659.9                       | 340                          | 32                       | 110            |
| IDL4300D1-H2-5 | 4300                   | 60             | 4.882 |                        | 1415.8                       | 290                          |                          |                |
| IDL3600D1-H2-5 | 3600                   | 60             | 4.882 |                        | 1186.3                       | 243                          |                          |                |

Hydraulic Diagram



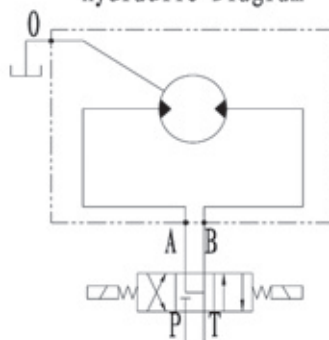
Dimensions



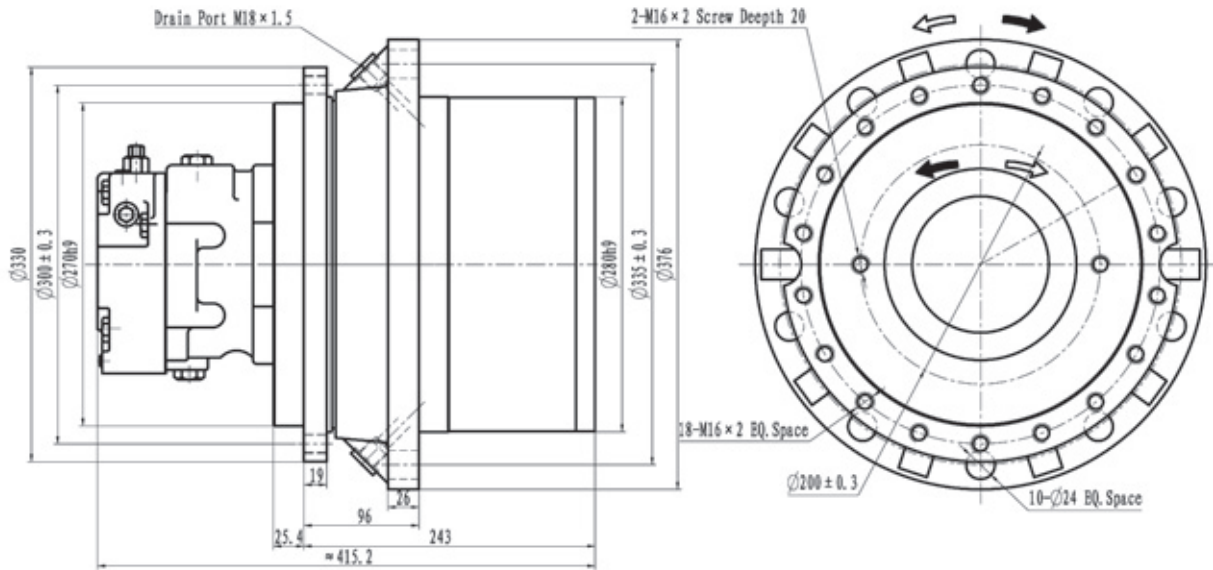
Specification

| Model          | Max. Torque<br>(N · m) | Speed<br>(rpm) | Ratio | Max. Pressure<br>(MPa) | Total Displacement<br>(ml/r) | Motor Displacement<br>(ml/r) | Continuous Power<br>(kW) | Weight<br>(kg) |
|----------------|------------------------|----------------|-------|------------------------|------------------------------|------------------------------|--------------------------|----------------|
| IDL9000D1-H1-6 | 9000                   | 50             | 6     | 21                     | 3390                         | 565                          | 47                       | 220            |
| IDL8000D1-H1-6 | 8000                   | 50             | 6     |                        | 2958                         | 493                          |                          |                |
| IDL7000D1-H1-6 | 7000                   | 50             | 6     |                        | 2550                         | 425                          |                          |                |

Hydraulic Diagram



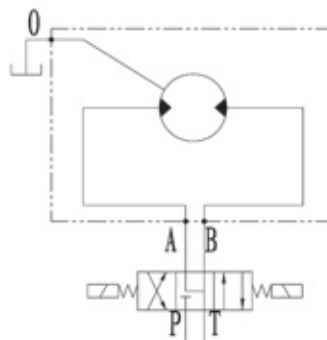
Dimensions



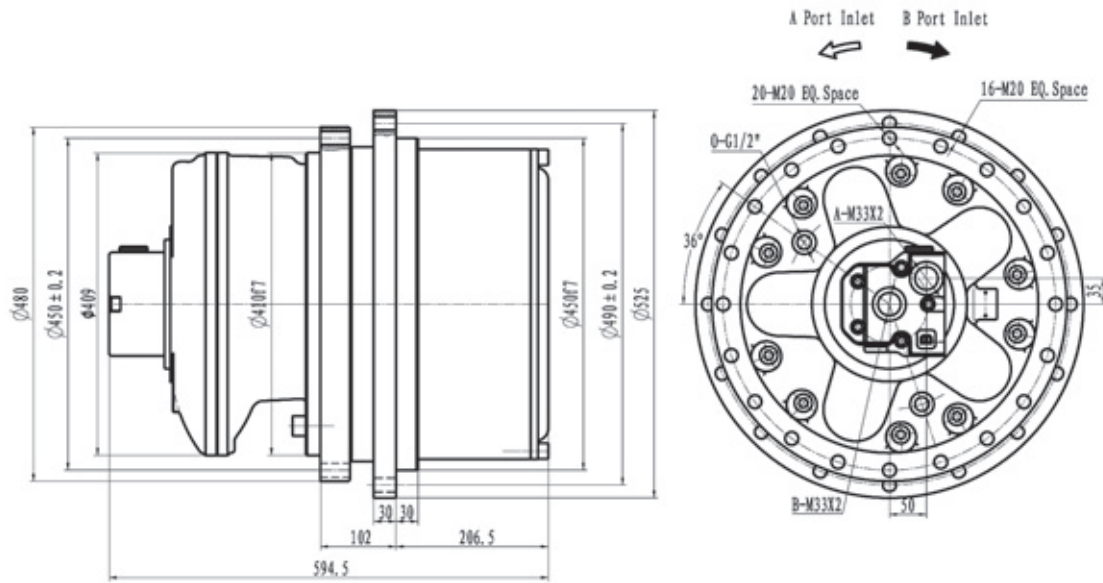
Specification

| Model            | Output Torque (N · m) |       | Ratio | Hydraulic Motor |                     | Continuous Power (kW) | Weight (kg) |                  |
|------------------|-----------------------|-------|-------|-----------------|---------------------|-----------------------|-------------|------------------|
|                  | Continuous            | Max.  |       | Model           | Max. Pressure (MPa) |                       |             | Max. Speed (rpm) |
| IDL12000G2-H4-18 | 6000                  | 12000 | 18.2  | sauer-danfoss   | 48                  | 4000                  | 40          | 110              |
| IDL12000G2-H4-21 |                       |       | 21.3  | 90 Series       |                     |                       |             |                  |
| IDL12000G2-H4-26 |                       |       | 26    | 51 Series       |                     |                       |             |                  |

Hydraulic Diagram



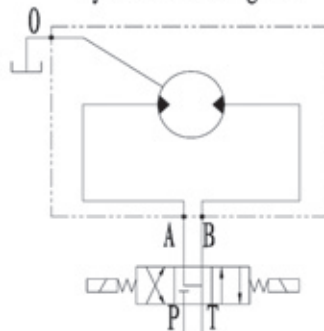
Dimensions



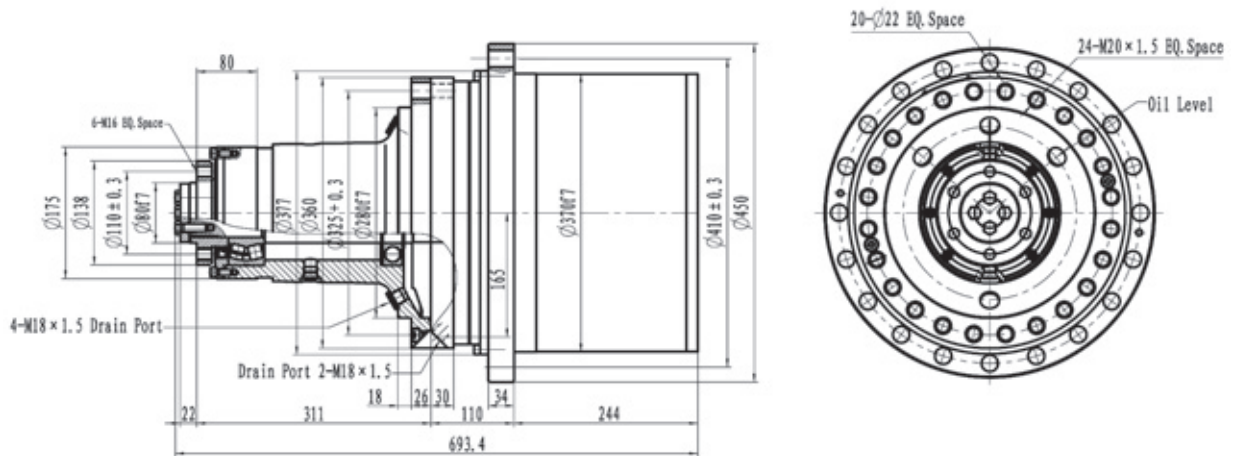
Specification

| Model             | Max. Torque<br>(N · m) | Speed<br>(rpm) | Ratio | Max. Pressure<br>(MPa) | Total Displacement<br>(ml/r) | Motor Displacement<br>(ml/r) | Continuous Power<br>(kW) | Weight<br>(kg) |
|-------------------|------------------------|----------------|-------|------------------------|------------------------------|------------------------------|--------------------------|----------------|
| IDL15000D1-H1-4.5 | 15000                  | 38             | 4.5   | 21                     | 5922                         | 1316                         | 60                       | 320            |
| IDL12000D1-H1-4.5 | 12000                  | 48             | 4.5   |                        | 5022                         | 1116                         |                          |                |
| IDL11000D1-H1-4.5 | 11000                  | 52             | 4.5   |                        | 4599                         | 1022                         |                          |                |

Hydraulic Diagram



Dimensions



Specification

| Model        | Output Torque (N · m) |       | Max. Speed (rpm) | Ratio | Max. Input Speed (rpm) | Continuous Power (kW) | Weight (kg) |
|--------------|-----------------------|-------|------------------|-------|------------------------|-----------------------|-------------|
|              | Continuous            | Max.  |                  |       |                        |                       |             |
| IDL3000T2-22 | 20000                 | 30000 | 129              | 21.7  | 2800                   | 100                   | 360         |
| IDL3000T2-18 | 15000                 | 30000 | 153              | 18.2  |                        |                       |             |

1. The product is driven by mechanical belt.
2. The product is used for cutter of milling machine.