

Company Shows



Company Gate



Company Overview



R&D Center



Mechanical Technology Institute



Communication with Expert



German Experts Study



Motor Assembly



Hydrostatic Assembly



Winch Assembly



1# Metalworking Workshop



2# Metalworking Workshop



3# Metalworking Workshop



Winch Testing



Hydrostatic Lab

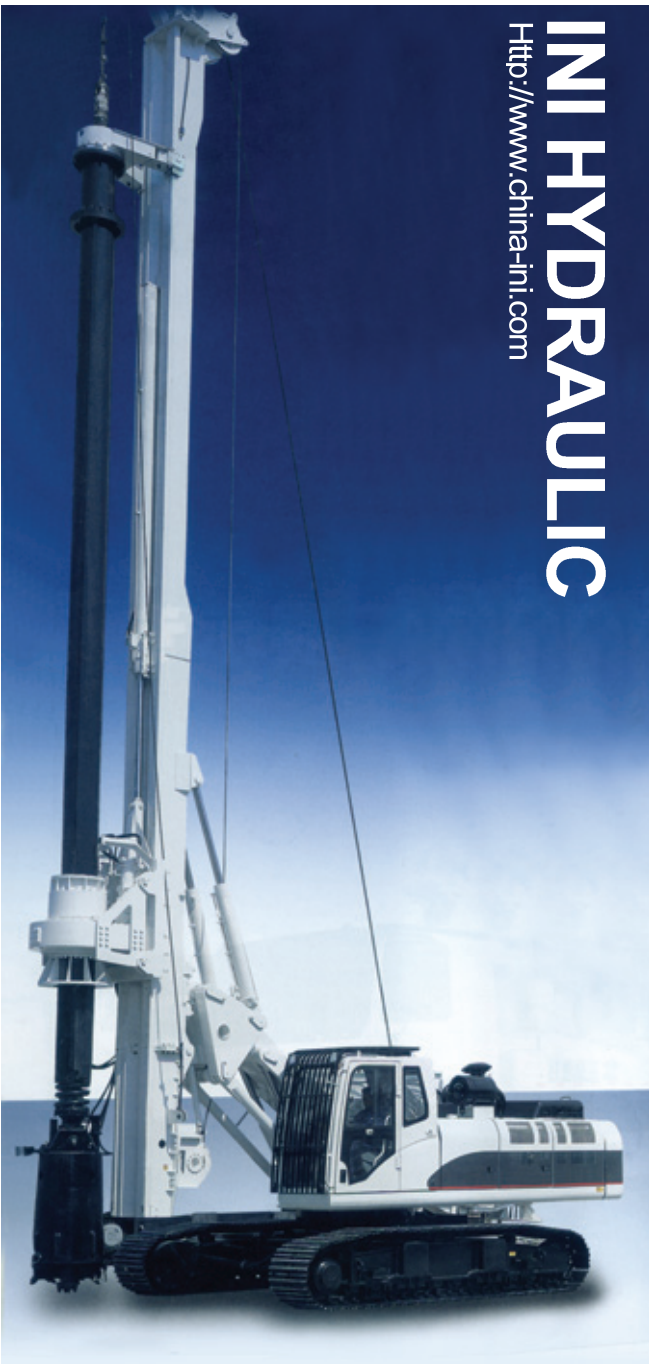
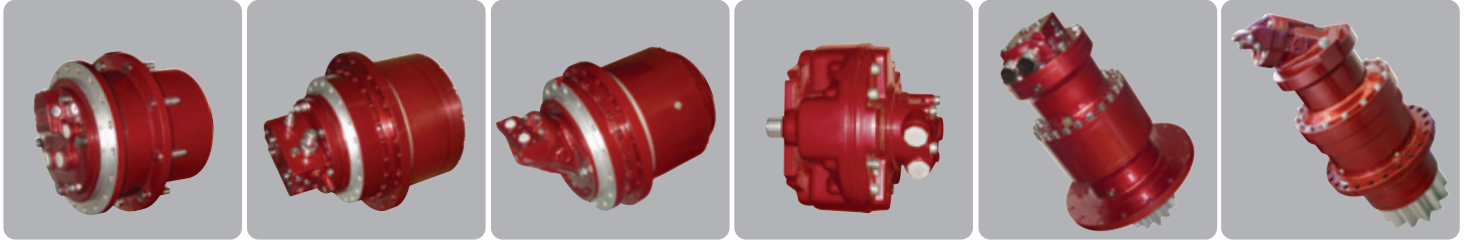


Gear Grinding Machine

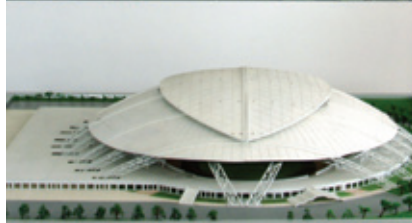
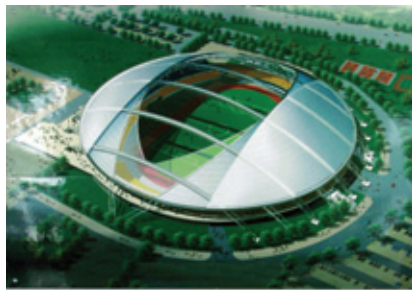


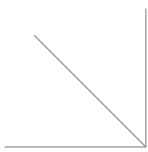
Three Coordinate Measuring Machine

Product Shows & Applications

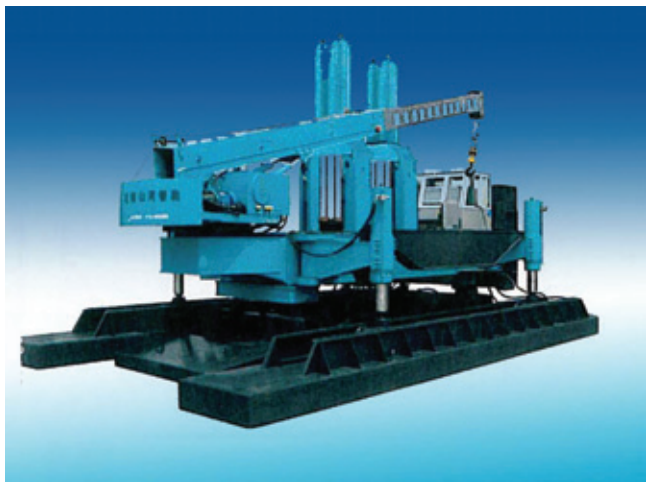
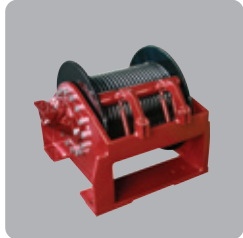


INI HYDRAULIC
[Http://www.china-ini.com](http://www.china-ini.com)





Product Shows & Applications



Contents

1) HIGH PRESSURE AXIAL PISTON PUMPS & HYDRAULIC MOTORS

IK3V series	1 - 5
15VP2D28/36 series	6 - 7
IA6VE series	8 - 12
IA2FE series	13-17

2) LOW SPEED HIGH TORQUE HYDRAULIC MOTORS

INM series	18-35
IDM series	36-40
IGM series	41-44
IHM series	45-48
IPM series	49-63
IVM series	64-66
Distributors	67-75

Contents

3) HYDRAULIC TRANSMISSION DRIVES

Conditions	7 6 - 7 7
IY hydraulic transmission drives series	7 8 - 9 8
IWYH low speed hydraulic slewing drives series	99-105
IWYHG high speed hydraulic slewing drives series	106-115
IGH hydrostatic swing drive series	116-128
IGT hydrostatic drive series	129-144
IKY series hydraulic transmission for caterpillar (wheel)	145-158
IGY-T hydrostatic drive series (travel motor)	159-170
IGY-L hydrostatic drive series (wheel motor)	171-177
IDL hydrostatic power head drive series	178-183

4) HYDRAULIC WINCHES

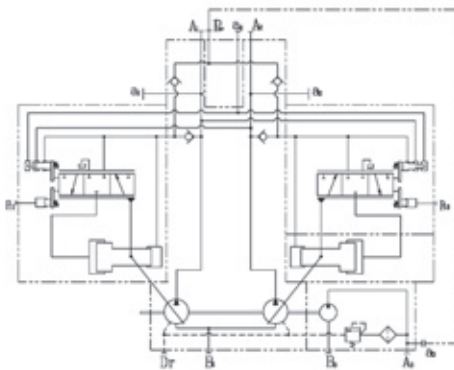
IYJ hydraulic winch series	184-223
INYJ hydraulic winch series	224-229
ISYJ hydraulic winch series	230-237
IYJ-C hydraulic mooring winch series	238-241
IYJ-L free fall hydraulic winch series	242-258
IYJP hydraulic capstan series	259-264
IDJ electric winch series	265-274

Double Pump

Summary

The IK3V series main pump is designed for construction machinery and industrial machinery. This series main pump features high power density and high efficiency. In addition, Good varieties of functional design is possible to high grade construction machinery and industrial machinery.

Hydraulic diagram



Features

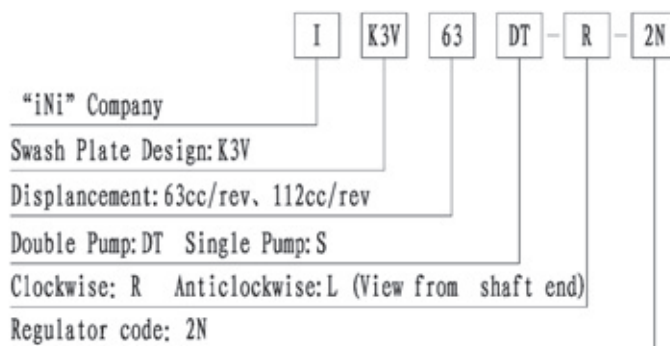
IK3V series main pump is high pressure axial piston swash plate pump for construction machinery and industrial machinery based upon iNi long time and rich experience.

The adoption of high load bearings and friction free material have achieved high reliability and long lifetime. The spherical valve palte and improved hydraulic balance provide stable cylinder rotation, this achieving high efficicecy even in low-pressure and low speed operating range.

Diffent hydraulic and electrical control method are available. The flow control, pressure control, power control are available.

Various size of optional gear pumps are attachable. No separate pump unit is necessary as control source. Hydraulic units can thus be made more compact.

Model options



Horsepower control code:

- 1--Constant horsepower control
- 2--Total horsepower control
- 4--High pressure cut-off control
- 5--Constant horsepower and High pressure cut-off control
- 6--Variable horsepower and High pressure cut-off control
- 7--Variable horsepower control
- 8--Single pump total horsepower control
- 9--Single pump manual control

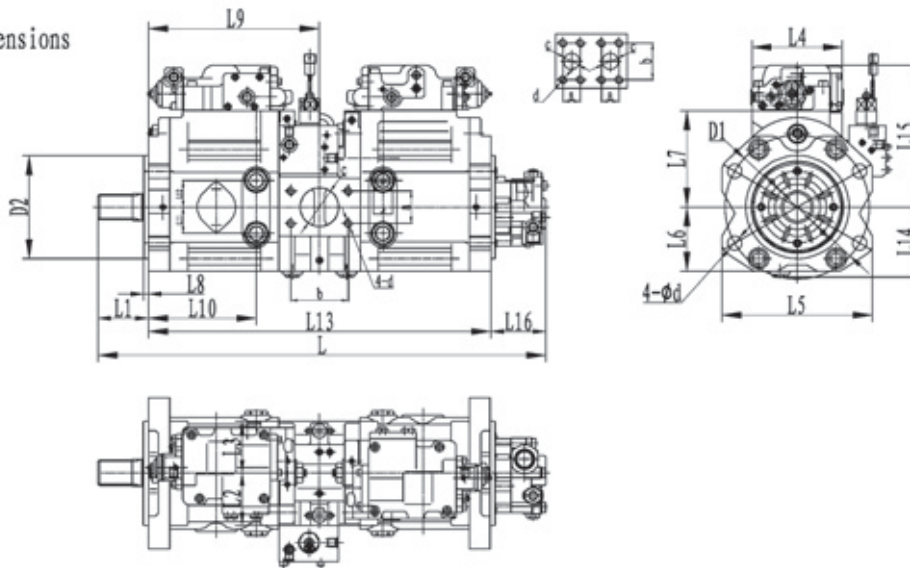
Flow control code: N--Negative flow control

Double Pump

Specification

Modle	MAX. Displacement	Rated Pressure		Max. Pressure		MAX. Speed for self priming rpm	Max. Input Torque		Weight kg	Application ton
	cc/rev	kgf/cm ²	Mpa	kgf/cm ²	Mpa		kgf m	N m		
IK3V63	63 × 2	320	31.4	350	34.3	2650	35	343	81	13~17
IK3V80	80 × 2	320	31.4	350	34.3	2400	54	529	84	13~17
IK3V112	112 × 2	320	31.4	350	34.3	2360	60	588	125	20~25
IK3V140	140 × 2	320	31.4	350	34.3	2150	114	1117	160	29~37
IK3V180	180 × 2	320	31.4	350	34.3	1950	112	1098	160	39~45

Dimensions



Modle	D1	D2	d	L1	L2	L3	L4	L5	L6	L7	L8	L9	L10	L11	L12	L13	L14	L15	L16	L
IK3V63	180	125	18	76	70	70	140	190	89	98	8	228	138	37	37	464	97	195	78	618
IK3V80	180	125	18	76	70	70	140	190	89	98	8	228	138	37	37	464	97	195	78	618
IK3V112	224	160	22	78	80	80	140	234	100	110	8	265	167	41	41	538	109	220	78	694
IK3V140	250	180	22	93	92	92	140	256	112	123	8	305	190	53	53	618	121	245	80	791
IK3V180	250	180	22	93	92	92	140	256	112	123	8	305	190	53	53	618	121	245	80	791

Discharge Flange

Modle	a	b	c	d
IK3V63	23.8	50.8	19	M10-16
IK3V80	23.8	50.8	19	M10-16
IK3V112	27.8	57.2	25	M12-22
IK3V140	27.8	57.2	25	M12-22
IK3V180	27.8	57.2	25	M12-22

Suction Flange

Modle	a	b	c	d
IK3V63	50.8	88.9	60	M12-18
IK3V80	50.8	88.9	60	M12-18
IK3V112	50.8	88.9	60	M12-18
IK3V140	61.9	106.4	76	M16-24
IK3V180	61.9	106.4	76	M16-24

Dimensions of shaft end

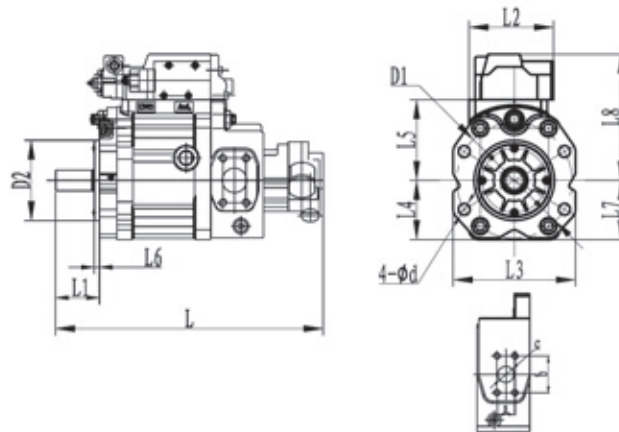
Modle	No. of teeth	Pitch circle dia	Pressure angle	Module	Rule
IK3V63	14	29.6	30°	12/24	SAE
IK3V80	12	30.0	20°	2.5	JIS D2001
IK3V112	12	30.0	20°	2.5	JIS D2001
IK3V140	17	42.5	20°	2.5	JIS D2001
IK3V180	17	42.5	20°	2.5	JIS D2001

Single Pump

Specification

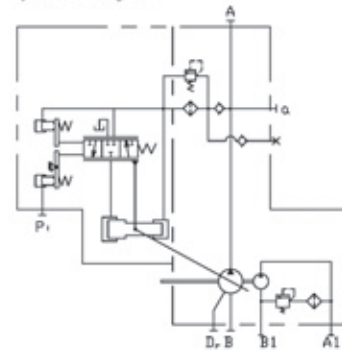
Modle	MAX. Displacement	Rated Pressure		Max. Pressure		MAX. Speed for self priming	Max. Input Torque		Weight		Application
	cc/rev	kgf/cm ²	Mpa	kgf/cm ²	Mpa	rpm	kgf m	N m	kg	ton	
IK3V63	63	320	31.4	350	34.3	2650	35	343	42	13~17	
IK3V80	80	320	31.4	350	34.3	2400	54	529	45	13~17	
IK3V112	112	320	31.4	350	34.3	2360	60	588	65	20~25	
IK3V140	140	320	31.4	350	34.3	2150	114	1117	85	29~37	
IK3V180	180	320	31.4	350	34.3	1950	112	1098	85	39~45	

Dimensions



Modle	D1	D2	d	L1	L2	L3	L4	L5	L6	L7	L8	L
IK3V63	180	125	18	76	140	190	89	98	8	97	195	382
IK3V80	180	125	18	76	140	190	89	98	8	97	195	382
IK3V112	224	160	22	78	140	234	100	110	8	109	220	421
IK3V140	250	180	22	93	140	256	112	123	8	121	245	478
IK3V180	250	180	22	93	140	256	112	123	8	121	245	478

Hydraulic Diagram



Discharge Flange

Modle	a	b	c	d
IK3V63	23.8	50.8	19	M10-16
IK3V80	23.8	50.8	19	M10-16
IK3V112	27.8	57.2	25	M12-22
IK3V140	27.8	57.2	25	M12-22
IK3V180	27.8	57.2	25	M12-22

Dimensions of shaft end

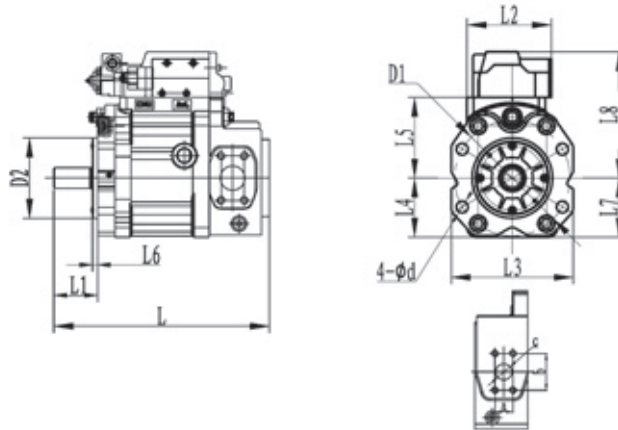
Modle	No. of teeth	Pitch circle dia	Pressure angle	Module	Rule
IK3V63	14	29.6	30°	12/24	SAE
IK3V80	12	30.0	20°	2.5	JIS D2001
IK3V112	12	30.0	20°	2.5	JIS D2001
IK3V140	17	42.5	20°	2.5	JIS D2001
IK3V180	17	42.5	20°	2.5	JIS D2001

Single Pump

Specification

Modle	MAX. Displacement	Rated Pressure		Max. Pressure		MAX. Speed for self priming	Max. Input Torque		Weight	Application
	cc/rev	kgf/cm ²	Mpa	kgf/cm ²	Mpa	rpm	kgf m	N m	kg	ton
IK3V63	63	320	31.4	350	34.3	2650	35	343	42	13~17
IK3V80	80	320	31.4	350	34.3	2400	54	529	45	13~17
IK3V112	112	320	31.4	350	34.3	2360	60	588	65	20~25
IK3V140	140	320	31.4	350	34.3	2150	114	1117	85	29~37
IK3V180	180	320	31.4	350	34.3	1950	112	1098	85	39~45

Dimensions



Modle	D1	D2	d	L1	L2	L3	L4	L5	L6	L7	L8	L
IK3V63	180	125	18	76	140	190	89	98	8	97	195	320
IK3V80	180	125	18	76	140	190	89	98	8	97	195	320
IK3V112	224	160	22	78	140	234	100	110	8	109	220	360
IK3V140	250	180	22	93	140	256	112	123	8	121	245	415
IK3V180	250	180	22	93	140	256	112	123	8	121	245	415

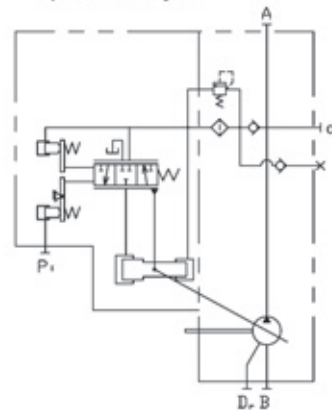
Discharge Flange

Modle	a	b	c	d
IK3V63	23.8	50.8	19	M10-16
IK3V80	23.8	50.8	19	M10-16
IK3V112	27.8	57.2	25	M12-22
IK3V140	27.8	57.2	25	M12-22
IK3V180	27.8	57.2	25	M12-22

Dimensions of shaft end

Modle	No. of teeth	Pitch circle dia	Pressure angle	Module	Rule
IK3V63	14	29.6	30°	12/24	SAE
IK3V80	12	30.0	20°	2.5	JIS D2001
IK3V112	12	30.0	20°	2.5	JIS D2001
IK3V140	17	42.5	20°	2.5	JIS D2001
IK3V180	17	42.5	20°	2.5	JIS D2001

Hydraulic Diagram

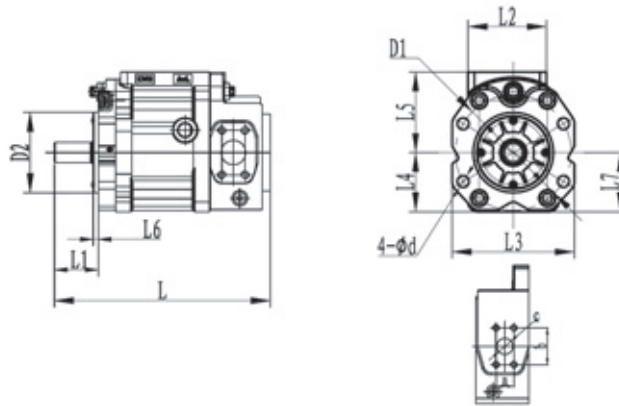


Single Pump

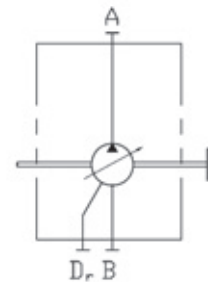
Specification

Modle	MAX. Displacement	Rated Pressure		Max. Pressure		MAX. Speed for self priming	Max. Input Torque		Weight	Application
	cc/rev	kgf/cm ²	Mpa	kgf/cm ²	Mpa	rpm	kgf m	N m	kg	ton
IK3V63	63	320	31.4	350	34.3	2650	35	343	42	13~17
IK3V80	80	320	31.4	350	34.3	2400	54	529	45	13~17
IK3V112	112	320	31.4	350	34.3	2360	60	588	65	20~25
IK3V140	140	320	31.4	350	34.3	2150	114	1117	85	29~37
IK3V180	180	320	31.4	350	34.3	1950	112	1098	85	39~45

Dimensions



Hydraulic Diagram



Modle	D1	D2	d	L1	L2	L3	L4	L5	L6	L7	L
IK3V63	180	125	18	76	140	190	89	98	8	97	320
IK3V80	180	125	18	76	140	190	89	98	8	97	320
IK3V112	224	160	22	78	140	234	100	110	8	109	360
IK3V140	250	180	22	93	140	256	112	123	8	121	415
IK3V180	250	180	22	93	140	256	112	123	8	121	415

Discharge Flange

Modle	a	b	c	d
IK3V63	23.8	50.8	19	M10-16
IK3V80	23.8	50.8	19	M10-16
IK3V112	27.8	57.2	25	M12-22
IK3V140	27.8	57.2	25	M12-22
IK3V180	27.8	57.2	25	M12-22

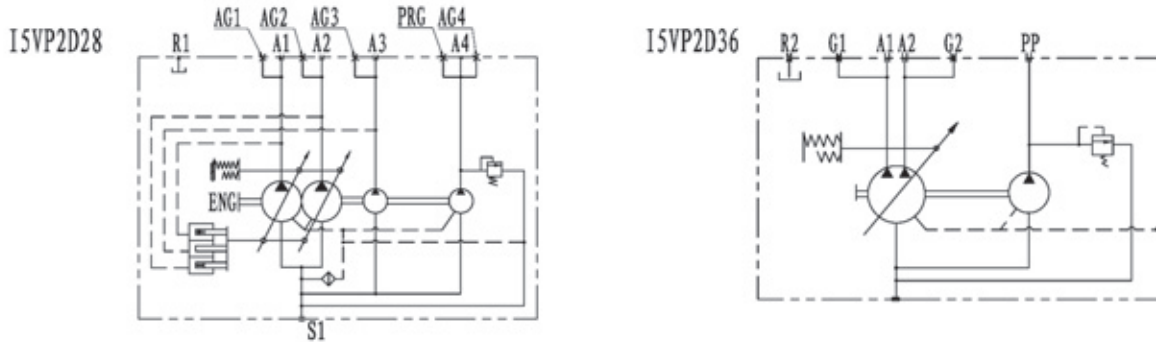
Dimensions of shaft end

Modle	No. of teeth	Pitch circle dia	Pressure angle	Module	Rule
IK3V63	14	29.6	30°	12/24	SAE
IK3V80	12	30.0	20°	2.5	JIS D2001
IK3V112	12	30.0	20°	2.5	JIS D2001
IK3V140	17	42.5	20°	2.5	JIS D2001
IK3V180	17	42.5	20°	2.5	JIS D2001

Summary

The I5VP2D28/36 series product is designed for main pump of mini size excavator and mini size mobile machine. It features compact structure, long lifetime, and high efficiency. The pilot gear pump directly is intergrated to main pump by spline adapter, so the series can provide various pilot pump installation type.

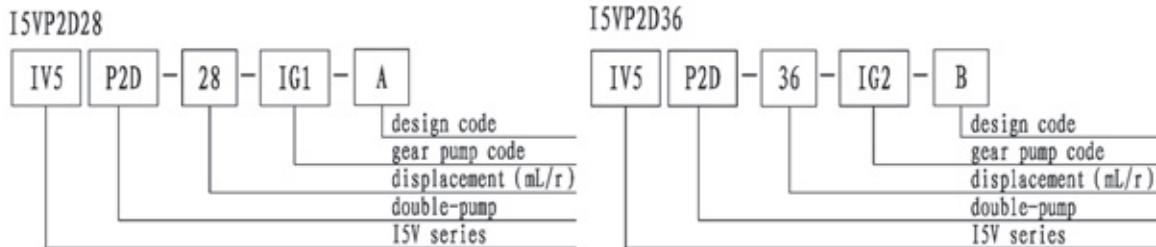
Hydraulic diagram



Features

This is a variable displacement double-piston pump discharging with two equal displacements from one cylinder block. This pump is so compact as to be appeared a single pump though this is actually a double pump.

Model options

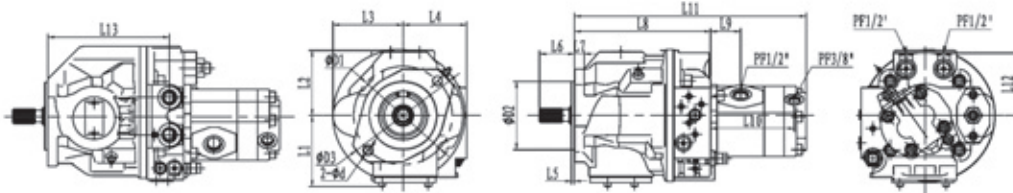


Specification

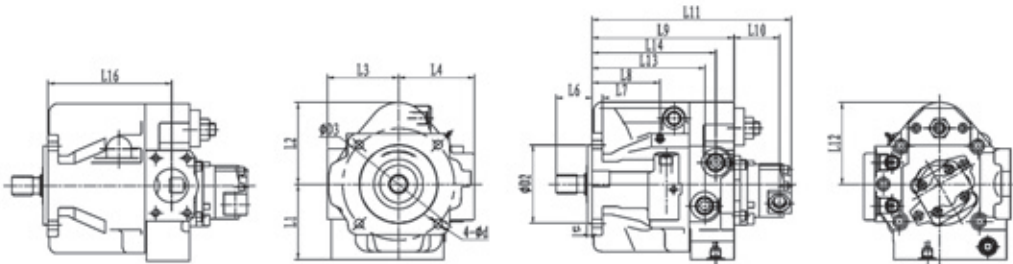
Model	Max. displacement	Pressure (MPa)		Speed r/min	Max. input torque N·m	Hydraulic fluid		Weight kg
	mL/r	Rated	Max.			Oil temperature range	Oil viscosity range	
I5VP2D28	27.5 × 2	22	25	2600	140	-20 ~ 95°C	10 ~ 1000 cSt	33
I5VP2D36	36 × 2	28	30	2100	167	-20 ~ 95°C	10 ~ 1000 cSt	47

Dimensions

ISVP2D28



ISVP2D36



Dimensions

Model	D1	D2	D3	d	L1	L2	L3	L4	L5	L6	L7	L8	L9	L10	L11	L12	L13	L14
ISVP2D28	146	101.6	175	14	106	97	104	95	5	44	14.5	95	203	45	346	93.5	181.5	
ISVP2D36		127	181	14	122.5	133	115.5	123	8	58.8	16.5	110	230.2	73.5	322.7	133	182.2	200.2

Dimensions of shaft end

Model	No. of teeth	Pressure angle	Module	Major diameter	Minor diameter	Rule
ISVP2D28	13	30°	16/32	φ 21.8	φ 18.63	SAE
ISVP2D36	14	35°	12/24	φ 31.2	φ 26.99	SAE

Flange mounting face for suction port

Model	a	b	e	e-H	L16
ISVP2D28	37.5	69.9	40	M12-18	177.5
ISVP2D36	50.8	88.9	55	M12-15	200.2



Flange mounting face for delivery port

Port size	g	h	L18	L19	L20	O-ring
PF3/4	45	29.8	2.5	20	3.5	P24
PF3/8	28	18.6	2.0	15	2.5	P14
PF1/2	34	22.6	2.5	19	2.5	P18
PF1/4	24	15.6	1.5	15	2.5	P11

